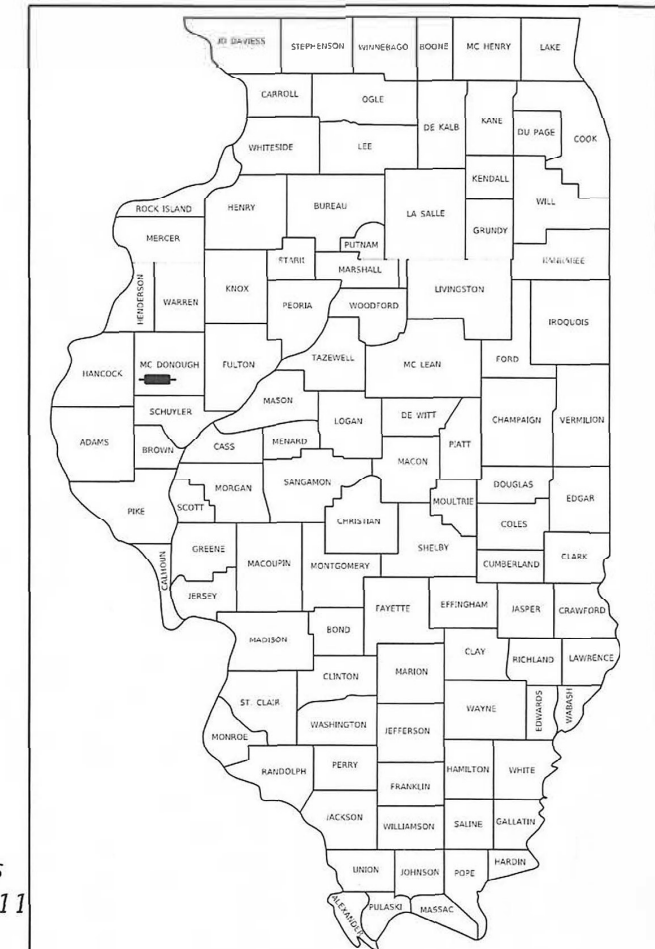


STATE OF ILLINOIS
DEPARTMENT OF TRANSPORTATION

F.A.P. RTE	SECTION	COUNTY	TOTAL SHEETS	SHEET NO.
407	(55-2)N	MCDONOUGH	44*	7
ILLINOIS			CONTRACT NO. 68G88	

* 44 + 6 = 50 TOTAL SHEETS

D-94-006-22



LOCATION OF SECTION INDICATED THUS: - [Black Box] -

DESCRIPTION OF WORK
THIS PROJECT CONSISTS OF INTERSECTION IMPROVEMENT, WIDENING ON IL 336/110 AND 600TH ST. IN MCDONOUGH COUNTY.

STATE OF ILLINOIS
DEPARTMENT OF TRANSPORTATION

SUBMITTED Feb 08 2022
Kensel A Garnett RSP
REGIONAL ENGINEER

March 25 2022
[Signature]
ENGINEER OF DESIGN AND ENVIRONMENT

March 23 2022
[Signature]
DIRECTOR OF HIGHWAYS PROJECT IMPLEMENTATION

PRINTED BY THE AUTHORITY
OF THE STATE OF ILLINOIS

**PROPOSED
HIGHWAY PLANS**

FAP ROUTE 407 (IL 336/ IL 110)
SECTION (55-2)N
PROJECT HSIP-L851(219)
INTERSECTION IMPROVEMENT
MCDONOUGH COUNTY

C-94-014-22

FOR INDEX OF SHEETS, SEE SHEET NO. 2

DESIGN DESIGNATION

FAP 407

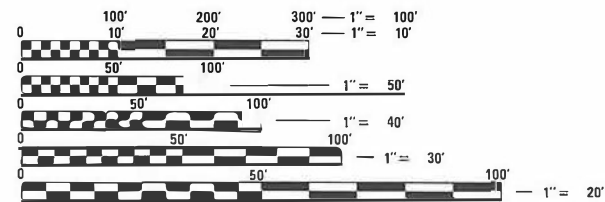
TRAFFIC DATA

IL 336: ADT=4550 (2019)

MU=15.12%

SU=7.56%

600TH: ADT=1150 (2016)

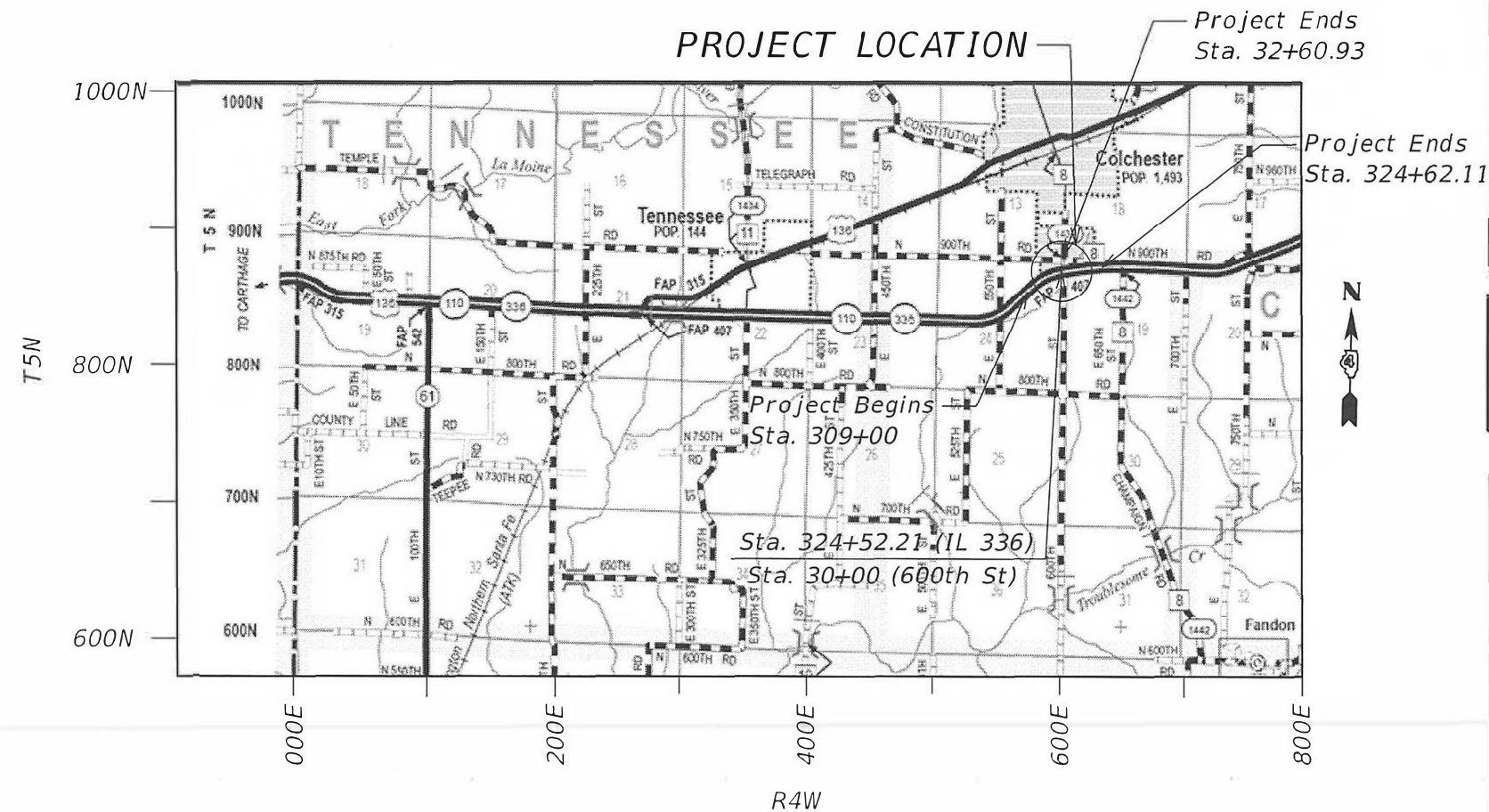


FULL SIZE PLANS HAVE BEEN PREPARED USING STANDARD ENGINEERING SCALES. REDUCED SIZED PLANS WILL NOT CONFORM TO STANDARD SCALES. IN MAKING MEASUREMENTS ON REDUCED PLANS, THE ABOVE SCALES MAY BE USED.

J.U.I.E.
JOINT UTILITY LOCATION INFORMATION FOR EXCAVATORS
1-800-892-0123
OR 811

PROJECT ENGINEER: LEONEL CRESPO
PROJECT MANAGER: LEONEL CRESPO

CONTRACT NO. 68G88



GROSS LENGTH = 1773.74 FT. = 0.336 MILES
NET LENGTH = 1562.11 FT. = 0.296 MILES

INDEX OF SHEETS

SHT NO.	DESCRIPTION
1	COVER SHEET
2	INDEX OF SHEETS & LIST OF STANDARDS
3-4	GENERAL NOTES, COMMITMENTS, & JOB SPECIFIC NOTES
5-7	SUMMARY OF QUANTITIES
8-10	SCHEDULE OF QUANTITIES
11-12	EXISTING & PROPOSED TYPICAL SECTIONS
13	BENCHMARKS & CONTROL POINTS
14-14A	REMOVAL PLANS (14A LOON SECTION)
15-15A	PROPOSED PLANS (15A LOON SECTION)
16-18	STAGE GENERAL NOTES & STAGE TYPICALS
19-21	STAGE 1 & TRAFFIC CONTROL
22-24	STAGE 2 & TRAFFIC CONTROL
25	EROSION CONTROL & LANDSCAPING PLANS
26-27	PAVEMENT MARKING AND SIGNAGE PLANS
28	INTERSECTION DETAIL
29	CONCRETE ISLAND DETAIL
29A	SOLAR-POWERED FLASHING BEACON DETAIL
SHT. NO.	DISTRICT 4 STANDARDS
30	406101 BUTT JOINTS
31-33	440001 HOT MIX ASPHALT SURFACE REMOVAL (COLD MILLING)
34-35	780001 TYPICAL PAVEMENT MARKINGS
36-44	CROSS SECTIONS
44A-44C	LOON CROSS SECTIONS



LIST OF HIGHWAY STANDARDS

000001-08	STANDARD SYMBOLS ABBREVIATIONS & PATTERNS
001006	DECIMAL OF INCH & FOOT
482011-03	HMA SHLD, STRIPS/SHLDS, WITH RESURFACING OR WIDENING AND RESURFACING PROJECTS
606301-04	PC CONCRETE ISLANDS AND MEDIANS
701001-02	OFF-RD OPERATIONS, 2L, 2W, MORE THAN 15' (4.5m) AWAY
701006-05	OFF-RD OPERATIONS, 2L, 2W, 15' (4.5m) TO 24" (600mm) FROM PAVEMENT EDGE
701201-05	LANE CLOSURE, 2L, 2W, DAY ONLY, FOR SPEEDS > 45MPH
701311-03	LANE CLOSURE 2L, 2W MOVING OPERATIONS-DAY ONLY
701400-11	APPROACH TO LANE CLOSURE, FREEWAY/EXPRESSWAY
701401-13	LANE CLOSURE, FREEWAY/EXPRESSWAY
701451-05	RAMP CLOSURE FREEWAY/EXPRESSWAY
701901-08	TRAFFIC CONTROL DEVICES
720001-01	SIGN PANEL MOUNTING PANELS
720021-03	SIGN PANELS EXTRUDED ALUMINUM TYPE
720006-04	SIGN PANEL ERECTION DETAILS
728001-01	TELESCOPING STEEL SIGN SUPPORT
780001-05	TYPICAL PAVEMENT MARKINGS

MODEL: D:\p1\11\GEN\WORK\STDP\MS\QUAD\131\es Documents\SAFETY PROJECTS 2021\Ill 336 and 600 st Intersection\DA_6888\CADD\data\6888-Cover-Notes.dgn
 FILE NAME: S:\GEN\WORK\STDP\MS\QUAD\131\es Documents\SAFETY PROJECTS 2021\Ill 336 and 600 st Intersection\DA_6888\CADD\data\6888-Cover-Notes.dgn

US ER NAME = Cre-sp 10/10	DESIG. NO. -	REVISED -	STATE OF ILLINOIS DEPARTMENT OF TRANSPORTATION	IL 336 & 600TH STREET INTERSECTION GENERAL NOTES		F.A.P. RTE. 407	SECTION (55-2)N	COUNTY MCDONOUGH	TOTAL SHEETS 44	SHEET NO. 2	
PLOT SCALE = 100.0000' / in.	CHECKED -	REVISED -		SCALE:	SHEET OF SHEETS	STA. TO STA.	ILLINOIS FED. AID PROJECT CONTRACT NO. 68G88				
PLOT DATE = 2/9/2022	DATE -	REVISED -									

MODEL: D:\p1\111111\GENWORD\STDEP\MSQUAD\1311es Documents\SAFETY PROJECTS 2021\Ill 336 and 600 st Intersection\14_6688\CAD\Drawings\Summary of Quantities.dgn

CODE NO.	ITEM	UNIT	TOTAL QUANTITY	CONST. CODE
				0021
				SAFETY FUNDS
				90% FEDERAL
				10% STATE
				MCDONOUGH CO.
20200100	EARTH EXCAVATION	CUYD	683	683
21101615	TOPSOIL FURNISH AND PLACE, 4"	SQYD	518	518
25100630	EROSION CONTROL BLANKET	SQYD	518	518
28000305	TEMPORARY DITCH CHECKS	FOOT	14	14
28000400	PERIMETER EROSION BARRIER	FOOT	86	86
30300112	AGGREGATE SUBGRADE IMPROVEMENT, 12"	SQYD	702	702
35600721	HMA BASE COURSE WIDENING, 11 1/4"	SQYD	530	530
40600295	POLYMERIZED BITUMINOUS MATERIALS (TACK COAT)	POUND	636	636
40600982	HOT-MIX ASPHALT SURFACE REMOVAL, BUTT JOINT	SQYD	58	58
40600990	TEMPORARY RAMP	SQYD	18	18
40604060	HOT-MIX ASPHALT SURFACE COURSE, 1L 9.5, MIX "D", N50, 2"	TON	40	40
44000100	PAVEMENT REMOVAL	SQYD	46	46
44000157	HOT-MIX ASPHALT SURFACE REMOVAL, 2"	SQYD	134	134



USER NAME = Crespole	DESIGNED -	REVISED -
	DRAWN -	REVISED -
PLOT SCALE = 100.0000' / in.	CHECKED -	REVISED -
PLOT DATE = 2/9/2022	DATE -	REVISED -

**STATE OF ILLINOIS
DEPARTMENT OF TRANSPORTATION**

**IL 336 & 600TH STREET INTERSECTION
SUMMARY OF QUANTITIES**

SCALE: SHEET OF SHEETS STA. TO STA.

F.A.P. RTE.	SECTION	COUNTY	TOTAL SHEETS	SHEET NO.
407	(55-2)N	MCDONOUGH	44	5
			CONTRACT NO. 68G88	
ILLINOIS FED. AID PROJECT				

MODEL: D:\p1\11\GENWIN\WORKBOOKS\JAD\131\100 Documents\SAFETY PROJECTS 2021\Ill. 236 and 600 St. Intersection\04_6888\CAD\Drawings\Summary of Quantities.dgn

CODE NO.	ITEM	UNIT	TOTAL QUANTITY	CONST. CODE
				SAFETY FUNDS
				0021
				% FEDERAL
				% STATE
				MCDONOUGH
44004250	PAVED SHOULDER REMOVAL	SQYD	376	376
48100500	AGGREGATE SHOULDERS, TYPE A, 6"	SQYD	109	109
48203029	HOT-MIX ASPHALT SHOULDERS, 8"	SQYD	210	210
60622320	CONCRETE MEDIAN, TYPE SM-4.24	SQFT	410	410
67100100	MOBILIZATION	L SUM	1	1
70103815	TRAFFIC CONTROL SURVEILLANCE	CAL DA	10	10
70107025	CHANGEABLE MESSAGE SIGN	CAL DA	19	19
70300100	SHORT TERM PAVEMENT MARKING	FOOT	702	702
70300150	SHORT TERM PAVEMENT MARKING REMOVAL	SQFT	567	567
70306120	TEMPORARY PAVEMENT MARKING - LINE 4" - TYPE III TAPE	FOOT	875	875
70306210	TEMPORARY PAVEMENT MARKING - LINE 24" - TYPE III TAPE	FOOT	23	23
* 72000100	SIGN PANEL - TYPE 1	SQFT	72	72
* 72000200	SIGN PANEL - TYPE 2	SQFT	16	16
* 72300100	INSTALL EXISTING SIGN PANEL	SQFT	16	16

*= SPECIALTY ITEM

USER NAME = Crespole	DESIGNED -	REVISED -	STATE OF ILLINOIS DEPARTMENT OF TRANSPORTATION	IL 336 & 600TH STREET INTERSECTION SUMMARY OF QUANTITIES		F.A.P. RTE.	SECTION	COUNTY	TOTAL SHEETS	SHEET NO.	
PLOT SCALE = 100.0000' / in.	DRAWN -	REVISED -				407	(55-2)N	MCDONOUGH	44	6	
PLOT DATE = 2/9/2022	CHECKED -	REVISED -		SCALE:		SHEET	OF	SHEETS	STA.	TO	STA.
	DATE -	REVISED -		ILLINOIS FED. AID PROJECT							

MODEL: Default
 FILE NAME: S:\GENWIN\WORDSTDEPLUS\QUAD131\es Documents\SAFETY PROJECTS 2021\Ill 336 and 600 st Intersection\DA_66888\CAD\Drawings\Summary of Quantities.dgn

CODE NO.	ITEM	UNIT	TOTAL QUANTITY	CONST. CODE	
				90% FEDERAL	10% STATE
				0021	
				SAFETY FUNDS	
				MCDONOUGH CO.	
* 72800100	TELESCOPING STEEL SIGN SUPPORT	FOOT	15	15	
* 73000100	WOOD SIGN SUPPORT	FOOT	126	126	①
* 78009000	MODIFIED URETHANE PAVEMENT MARKING - LETTERS & SYMBOLS	SQFT	90	90	
* 78009004	MODIFIED URETHANE PAVEMENT MARKING - LINE 4"	FOOT	681	681	①
* 78009008	MODIFIED URETHANE PAVEMENT MARKING - LINE 8"	FOOT	103	103	
* 78009012	MODIFIED URETHANE PAVEMENT MARKING - LINE 12"	FOOT	92	92	
* 78009024	MODIFIED URETHANE PAVEMENT MARKING - LINE 24"	FOOT	16	16	
* X0326899	SOLAR-POWERED FLASHING BEACON ASEMBLY (COMPLETE)	EACH	2	2	
X7010216	TRAFFIC CONTROL AND PROTECTION, (SPECIAL)	L SUM	1	1	
Z0013798	CONSTRUCTION LAYOUT	L SUM	1	1	

*= SPECIALTY ITEM

USER NAME = Crespole	DESIGNED -	REVISED -
PLOT SCALE = 100.0000' / in.	DRAWN -	REVISIED -
PLOT DATE = 2/9/2022	CHECKED -	REVISIED -
	DATE -	REVISIED -

**STATE OF ILLINOIS
 DEPARTMENT OF TRANSPORTATION**

IL 336 & 600TH STREET INTERSECTION SUMMARY OF QUANTITIES			
SCALE:	SHEET	OF	SHEETS
	STA.	TO	STA.

F.A.P. RTE.	SECTION	COUNTY	TOTAL SHEETS	SHEET NO.
407	(55-2)N	MCDONOUGH	44	7
			CONTRACT NO. 68G88	

TEMPORARY DITCH CHECKS				
LOCATION	LT/RT	# OF DITCH CHECKS	LENGTH FT/EA	28000305 FT
STA. 323+26.00	RT	1	7	7
STA. 323+81.00	RT	1	7	7
TOTAL				14

PAVEMENT REMOVAL		
LOCATION	AREA	44000100
	SQFT	SQYD
STA. 30+57.25 TO STA. 30+89.40	409.5	46
TOTAL		46

HOT-MIX ASPHALT BASE COURSE WIDENING, 11 1/4"		
LOCATION	AREA	35600721
	SQFT	SQYD
IL 336: STA. 308+31.89 TO STA. 310+58.51	3308.3	368
600th ST: STA. 30+29.69 TO STA. 31+41.56	1461.3	162
TOTAL		530

EARTH EXCAVATION		20200100
LOCATION		CUYD
IL 336: STA. 308+50.00 TO STA. 310+50.00		356
IL 336: STA. 323+25.00 TO STA. 324+25.00		137
600TH ST: STA. 31+00.00 TO STA. 31+75.00		190
TOTAL		683

HOT-MIX ASPHALT SURFACE REMOVAL, 2"		
LOCATION	AREA	44000157
	SQFT	SQYD
STA. 30+51.98 TO STA. 31+65.00	1206	134
TOTAL		134

CONCRETE MEDIAN, TYPE SM-4.24		60622320
LOCATION		SQFT
STA. 30+57.25 TO STA. 30+89.40		410
TOTAL		410

AGGREGATE SUBGRADE IMPROVEMENT, 12"		
LOCATION	AREA	30300112
	SQFT	SQYD
IL 336: STA. 308+31.89 TO STA. 310+58.51	4059.1	451
600th ST: STA. 30+29.69 TO STA. 31+41.56	2261.8	251
TOTAL		702

AGGREGATE SHOULDERS, TYPE A, 6"		
LOCATION	AREA	48100500
	SQFT	SQYD
IL 336: STA. 308+31.28 TO STA. 310+37.03	410.6	46
IL 336: STA. 323+50.00 TO STA. 323+76.13	53.0	6
600TH ST: STA. 30+45.79 TO STA. 31+75.00	509.2	57
TOTAL		109

HOT-MIX ASPHALT SURFACE REMOVAL, BUTT JOINT		
LOCATION	AREA	40600982
	SQFT	SQYD
STA. 31+65.00 TO STA. 31+75.00	123.3	14
STA. 324+06.05 TO STA. 324+61.13	394	44
TOTAL		58

HOT-MIX ASPHALT SHOULDERS, 8"		
LOCATION	AREA	48203029
	SQFT	SQYD
IL 336: STA. 308+27.37 TO STA. 310+58.51	1085.1	121
IL 336: STA. 323+50.00 TO STA. 323+80.58	218.7	24
600TH ST: STA. 30+44.64 TO STA. 31+59.12	583.8	65
TOTAL		210

HOT-MIX ASPHALT SURFACE COURSE, IL-9.5, MIX "D", N50, 2"		
LOCATION	AREA	40604060
	SQFT	TON
STA. 30+29.69 TO STA. 31+75.00	3178.9	40
TOTAL		40

MODEL: D:\p\h\...
 FILE NAME: S:\GEN\WORK\DEP\AS\ASQ\AD13\Rev Documents\SAFETY PROJECTS 2021\IL 336 and 600 st Intersection\DA_68G88\CADD\Drawings\DA68G88-Schedule of Quantities.dgn

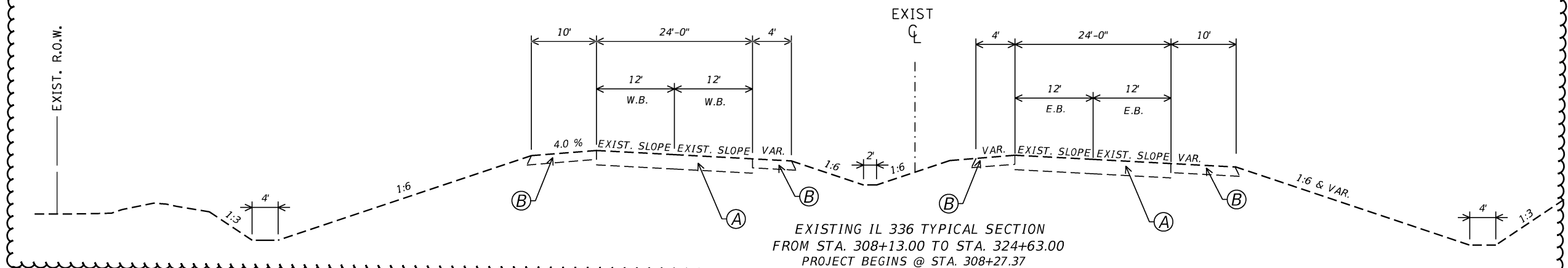
USER NAME = jonesros	DESIGNED -	REVISED -
	DRAWN -	REVISED -
PLOT SCALE = 100.0000' / in.	CHECKED -	REVISED -
PLOT DATE = 4/13/2022	DATE -	REVISED -

STATE OF ILLINOIS
DEPARTMENT OF TRANSPORTATION

IL 336 & 600TH STREET INTERSECTION	
SCHEDULE OF QUANTITIES	
SCALE:	SHEET OF SHEETS STA. TO STA.

F.A.P. RTE.	SECTION	COUNTY	TOTAL SHEETS	SHEET NO.
407	(55-2)N	MCDONOUGH	44	8
CONTRACT NO. 68G88			ILLINOIS FED. AID PROJECT	

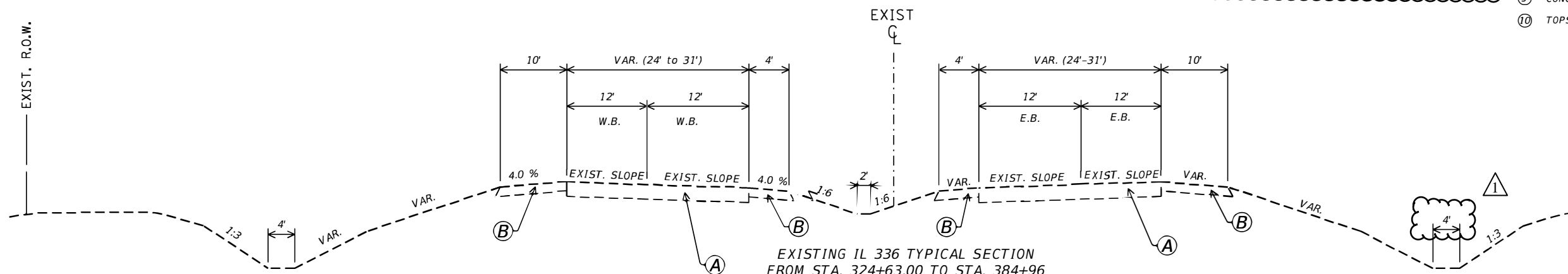
EXIST. R.O.W.



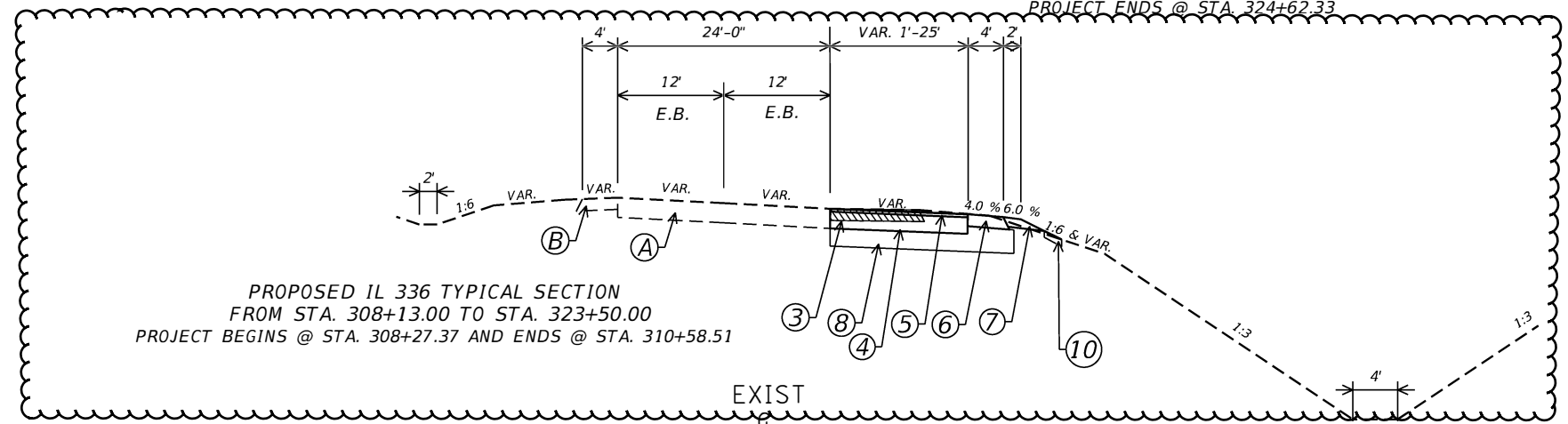
EXISTING IL 336 TYPICAL SECTION
FROM STA. 308+13.00 TO STA. 324+63.00
PROJECT BEGINS @ STA. 308+27.37

- LEGEND**
- Ⓐ EX. HMA PAVEMENT, 13 1/4"
 - Ⓑ EX. HMA SHOULDER
 - ① H.M.A. SURFACE REMOVAL, 2"
 - ② PAVEMENT REMOVAL
 - ③ PAVED SHOULDER REMOVAL
 - ④ H.M.A. BASE COURSE WIDENING, 11 1/4"
 - ⑤ H.M.A. SURFACE COURSE, IL-9.5, MIX "D", N50, 2"
 - ⑥ HOT-MIX ASPHALT SHOULDERS, 8"
 - ⑦ AGGREGATE SHOULDERS, TYPE A, 6"
 - ⑧ AGGREGATE SUBGRADE IMPROVEMENT, 12"
 - ⑨ CONCRETE MEDIAN, TYPE SM-4.24
 - ⑩ TOPSOIL FURNISH AND PLACE, 4"

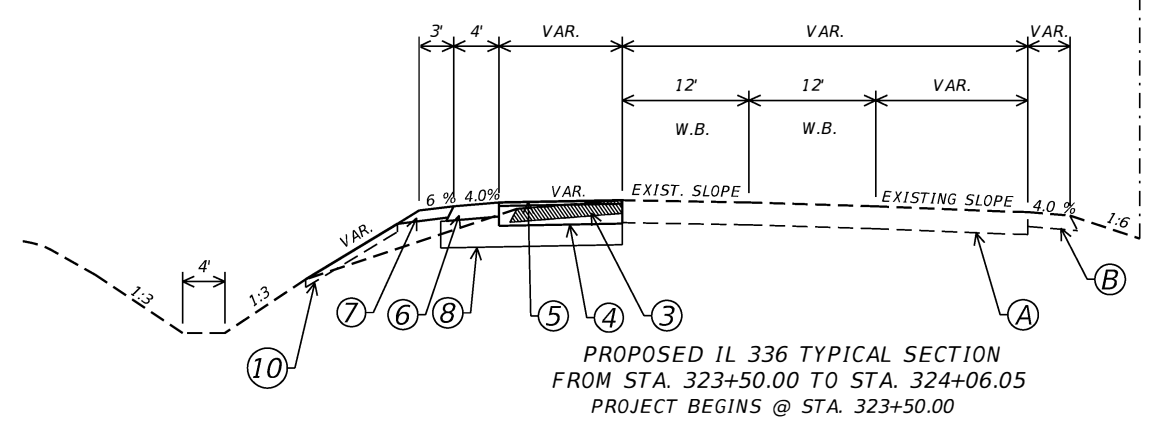
EXIST. R.O.W.



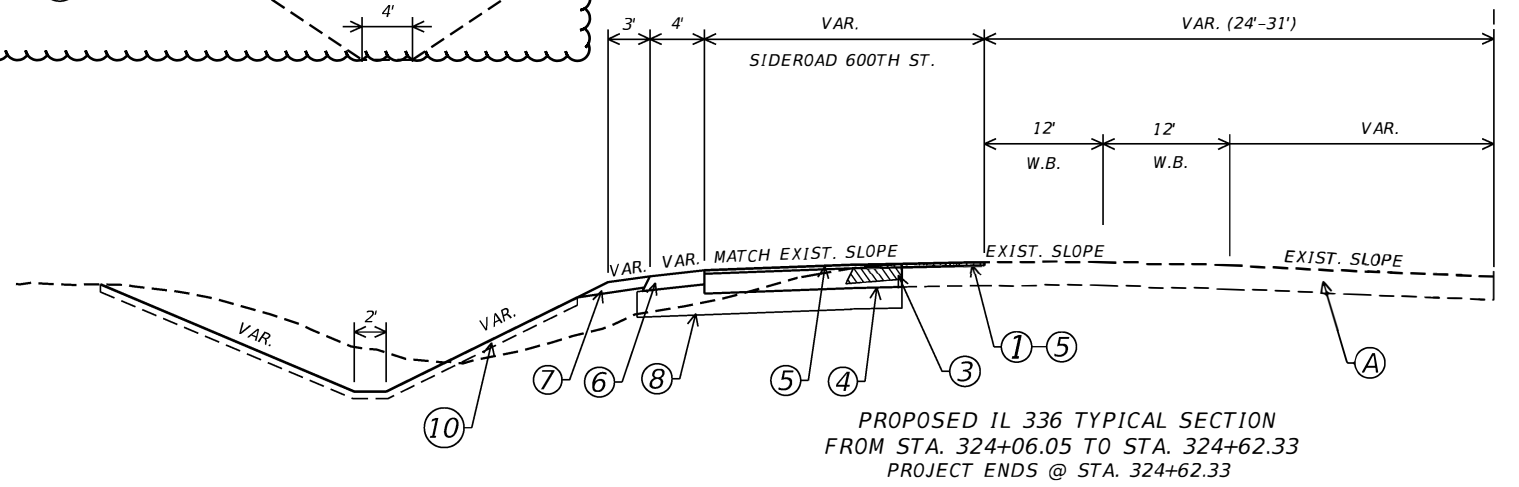
EXISTING IL 336 TYPICAL SECTION
FROM STA. 324+63.00 TO STA. 384+96
PROJECT ENDS @ STA. 324+62.33



PROPOSED IL 336 TYPICAL SECTION
FROM STA. 308+13.00 TO STA. 323+50.00
PROJECT BEGINS @ STA. 308+27.37 AND ENDS @ STA. 310+58.51



PROPOSED IL 336 TYPICAL SECTION
FROM STA. 323+50.00 TO STA. 324+06.05
PROJECT BEGINS @ STA. 323+50.00



PROPOSED IL 336 TYPICAL SECTION
FROM STA. 324+06.05 TO STA. 324+62.33
PROJECT ENDS @ STA. 324+62.33

MODEL: D:\p\h\l\...
FILE NAME: S:\GEN\W\W\ORD\STDP\PLUS\SQUAD13\...
PROJECTS: 2021\IL 336 and 600 St Intersection\DA_68G88\CADD\DATA\CAD\Sheet\DA68G88-General Notes.dgn

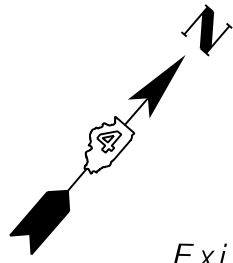
USER NAME = jonesros	DESIGNED -	REVISED -
	DRAWN -	REVISED -
PLOT SCALE = 100.0000' / in.	CHECKED -	REVISED -
PLOT DATE = 4/12/2022	DATE -	REVISED -

**STATE OF ILLINOIS
DEPARTMENT OF TRANSPORTATION**

**IL 336 & 600TH STREET INTERSECTION
EXISTING AND PROPOSED TYPICAL SECTION**

SCALE: SHEET OF SHEETS STA. TO STA.

F.A.P. RTE.	SECTION	COUNTY	TOTAL SHEETS	SHEET NO.
407	(55-2)N	MCDONOUGH	44	11
ILLINOIS FED. AID PROJECT			CONTRACT NO. 68G88	



Existing ROW & A/C

AC

Existing ROW & A/C

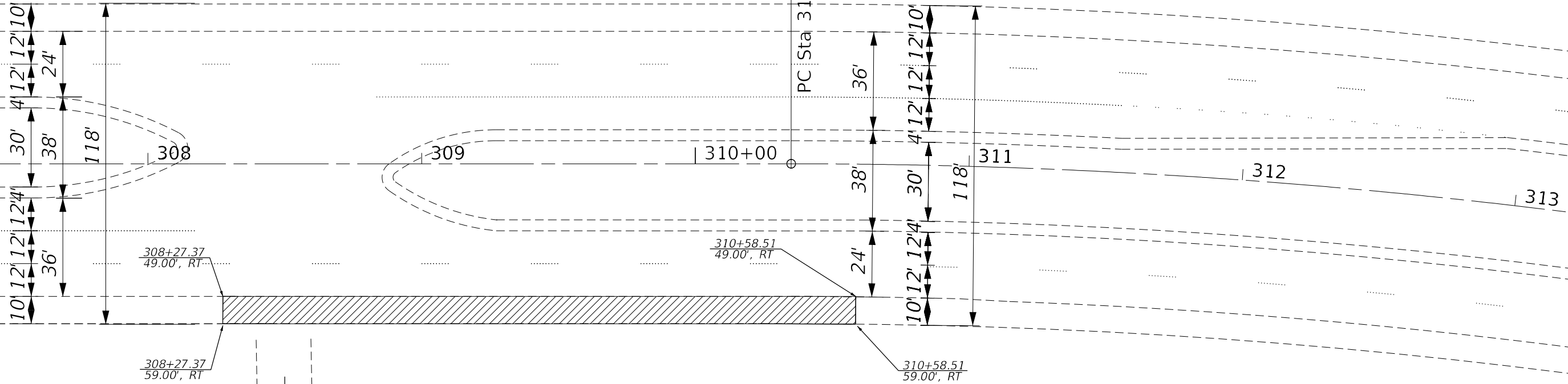
F.E. +50.00

PC Sta 310+35.01



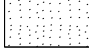
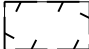
310+00

310+58.51
49.00', RT

310+58.51
59.00', RT



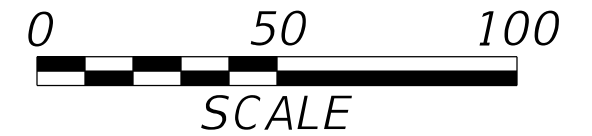
LEGEND FOR REMOVAL ITEMS:

-  PAVED SHOULDER REMOVAL
-  PAVEMENT REMOVAL
-  H.M.A SURFACE BUTT JOINT, 2"
-  H.M.A SURFACE REMOVAL, 2"

F.E. +50.00

Existing ROW & A/C

AC



Existing ROW & A/C

AC

MODEL: D:\p\h\l...
 FILE NAME: S:\CEN\IN\WORK\STDP\KAS\SQUAD\31\Lab Documents\SAFETY PROJECTS 2021\IL 336 and 600 at Intersection\A\CAD\Sheet\1468G88-REMOVAL_SHT3.dwg

USER NAME = jonesros	DESIGNED -	REVISED -
PLOT SCALE = 40.0000 ' / in.	DRAWN -	REVISED -
PLOT DATE = 4/13/2022	CHECKED -	REVISED -
	DATE -	REVISED -

**STATE OF ILLINOIS
DEPARTMENT OF TRANSPORTATION**

**IL 336 & 600TH RD INTERSECTION
REMOVAL PLANS**

SCALE: SHEET OF SHEETS STA. TO STA.

F.A.P. RTE.	SECTION	COUNTY	TOTAL SHEETS	SHEET NO.
407	(55-2)N	MCDONOUGH	48	14 A
CONTRACT NO. 68G88				

ILLINOIS FED. AID PROJECT
ADDED SHEET 4/15/22



PRIOR TO STAGE I

1. Changeable message signs shall be placed a week prior to the beginning of the project along IL 336 (IL 110) on the westbound and eastbound directions.
2. Set up traffic control according to Traffic Control Std. 701401.
3. Remove the existing shoulder from Rt. Sta. 308+27.37 to Rt. Sta. 310+58.51.
4. Construct the proposed widening for the loon and all collateral work along IL 336 (IL 110) on the eastbound direction at Sta. 308+27.37 to Sta. 310+58.51. See the H.M.A. Mix Requirement table for depths of lifts.
5. Install the Proposed Aggregate Shoulder as indicated on the proposed plans.

STAGE I

1. Set up traffic control according to Stage 1 plans and according to Traffic Control Std. 701400 and 701401.
2. During certain operations along the north approach of 600th Street, the use of Traffic Control Std. 701326 will be required.
3. Remove existing shoulder from Lt. Sta. 30+29.13 to Lt. Sta. 31+42.45.
4. Mill southbound lane from Lt. Sta. 30+49.50 to Lt. Sta. 31+75.00 and place temporary ramps.
5. Construct the proposed widening, and proposed shoulder from Lt. Sta. 30+29.13 to Lt. Sta. 31+59.11 and all collateral work along the proposed ditch. See the H.M.A. Mix Requirement table for depths of lifts.
6. Switch traffic to Stage II as shown on the plans.
7. Traffic Control should be according to Traffic Control Std. 701400, 701401 and 701451.

STAGE II

1. Place changeable message signs in advance of 450th Street in the eastbound direction to indicate the closing of 600th Street in the northbound direction.
2. Remove the Existing Pavement to construct the island from Lt. Sta. 30+57.25 to Lt. Sta. 30+89.40.
3. Construct the Proposed Island from Lt. Sta. 30+57.25 to Lt. Sta. 30+89.40.
4. Resurface the southbound lane from Lt. Sta. 30+49.50 to Lt. Sta. 31+75.00.
5. Install the Proposed Aggregate Shoulder as indicated on the proposed plans.
6. Install the Pavement Marking and Signs as indicated on the pavement marking plans.
7. Complete all other work necessary to complete the project.

MODEL: Default
 FILE NAME: S:\GEN\WORK\STDP\AS\SQUAD1\3110 Documents\SAFETY PROJECTS 2021\IL 336 and 600 st Intersection\DA_66C8B\CADD\DATA\CAD\Sheet\DA66C8B-Stage1_Typical.dgn

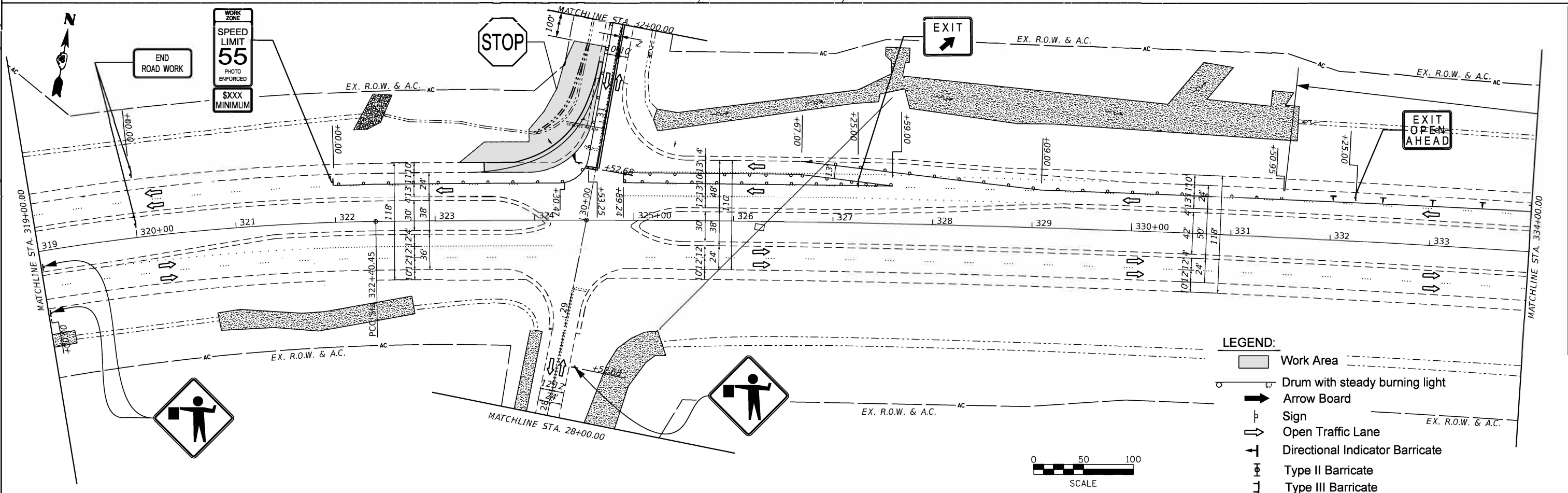
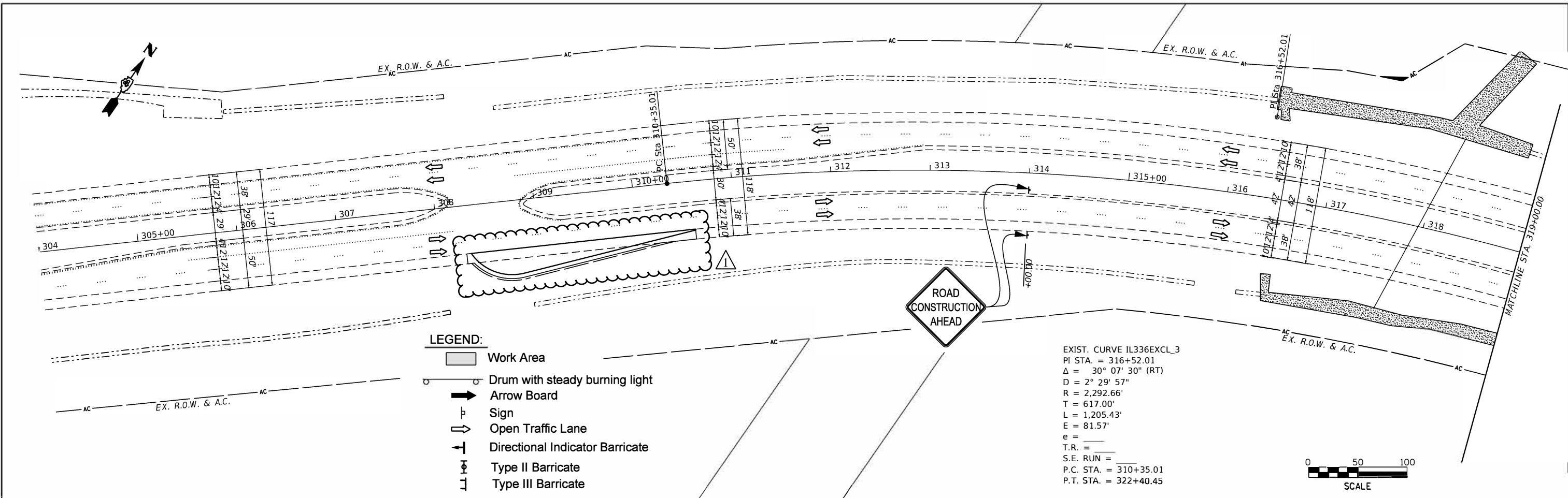
USER NAME = jonesros	DESIGNED -	REVISED -
	DRAWN -	REVISED -
PLOT SCALE = 100.0000' / in.	CHECKED -	REVISED -
PLOT DATE = 4/14/2022	DATE -	REVISED -

**STATE OF ILLINOIS
DEPARTMENT OF TRANSPORTATION**

**IL 336 & 600TH STREET INTERSECTION
STAGE GENERAL NOTES**

SCALE: SHEET OF SHEETS STA. TO STA.

F.A.P. RTE.	SECTION	COUNTY	TOTAL SHEETS	SHEET NO.
407	(55-2)N	MCDONOUGH	44	16
			CONTRACT NO. 68G88	
ILLINOIS FED. AID PROJECT				



MODEL: D:\projects\GENWORD\STDEP\ILLINOIS\PROJECTS\2021\IL 336 and 600 st Intersection\DATA_66888\CADD\Drawings\66888-STAGE1_SHT2.dwg
 FILE NAME: S:\GENWORD\STDEP\ILLINOIS\PROJECTS\2021\IL 336 and 600 st Intersection\DATA_66888\CADD\Drawings\66888-STAGE1_SHT2.dwg

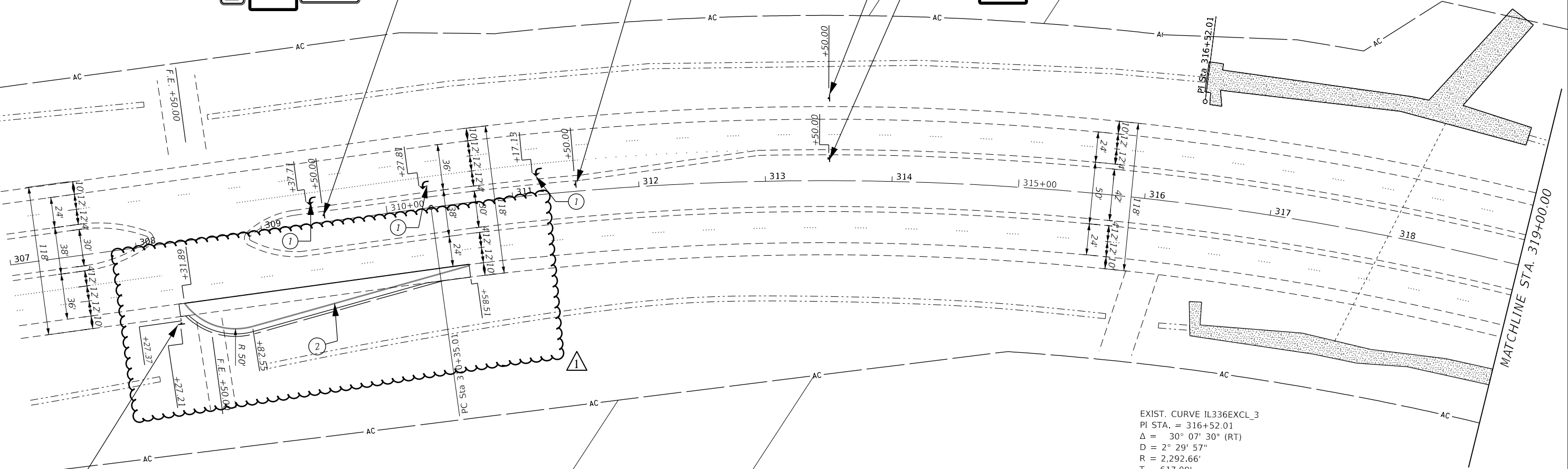
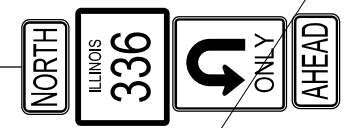
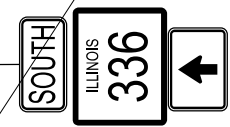
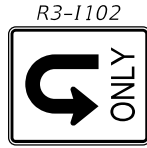
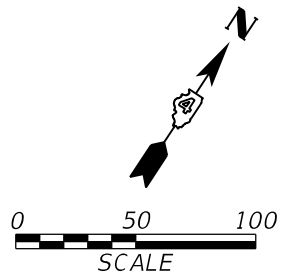
USER NAME = jonesros	DESIGNED -	REVISED -
	DRAWN -	REVISED -
PLOT SCALE = 100.0000' / in.	CHECKED -	REVISED -
PLOT DATE = 4/13/2022	DATE -	REVISED -

**STATE OF ILLINOIS
DEPARTMENT OF TRANSPORTATION**

**STAGE 1 PLANS
INTERSECTION IMPROVEMENT IL 336 AND 600TH STREET**

SCALE: SHEET OF SHEETS STA. TO STA.

F.A.P. RTE.	SECTION	COUNTY	TOTAL SHEETS	SHEET NO.
407	(55-2) N	MCDONOUGH	44	20
CONTRACT NO. 68G88				
ILLINOIS FED. AID PROJECT				



EXIST. CURVE IL336EXCL_3
 PI STA. = 316+52.01
 $\Delta = 30^{\circ} 07' 30''$ (RT)
 $D = 2^{\circ} 29' 57''$
 $R = 2,292.66'$
 $T = 617.00'$
 $L = 1,205.43'$
 $E = 81.57'$
 $e =$
 $T.R. =$
 $S.E. RUN =$
 $P.C. STA. = 310+35.01$
 $P.T. STA. = 322+40.45$

PAVEMENT MARKING LEGEND	
①	MODIFIED URETHANE PAVEMENT MARKING - LETTERS AND SYMBOLS
②	MODIFIED URETHANE PAVEMENT MARKING - LINE 4" WHITE SOLID
③	MODIFIED URETHANE PAVEMENT MARKING - LINE 4" YELLOW SOLID
④	MODIFIED URETHANE PAVEMENT MARKING - LINE 4" DOUBLE YELLOW SOLID
⑤	MODIFIED URETHANE PAVEMENT MARKING - LINE 8" WHITE SOLID
⑥	MODIFIED URETHANE PAVEMENT MARKING - LINE 12" WHITE DIAGONAL
⑦	MODIFIED URETHANE PAVEMENT MARKING - LINE 24" WHITE SOLID (STOP BAR)

MODEL: D:\p\h\l...
 FILE NAME: S:\CEN\W\W\ORD\STDP\PLANS\SO\AD13\l\as Documents\SAFETY PROJECTS_2021\IL 336 and 600 st Intersection\DA_68G88\CADD\Main\CAD\Sheet\DA68G88-PAVMNT_MKING_SHT1.dgn

USER NAME = jonesros	DESIGNED -	REVISED -
	DRAWN -	REVISED -
PLOT SCALE = 80.0000' / in.	CHECKED -	REVISED -
PLOT DATE = 4/15/2022	DATE -	REVISED -

STATE OF ILLINOIS
DEPARTMENT OF TRANSPORTATION

IL 336 & 600TH STREET INTERSECTION PAVEMENT MARKING AND SIGNAGE PLANS			
SCALE:	SHEET	OF SHEETS	STA. TO STA.

F.A.P. RTE.	SECTION	COUNTY	TOTAL SHEETS	SHEET NO.
407	(55-2) N	MCDONOUGH	44	26
CONTRACT NO. 68G88				
ILLINOIS FED. AID PROJECT				

SOLAR-POWERED FLASHING BEACON ASSEMBLY (COMPLETE)

NOTES:

THIS WORK SHALL BE IN ACCORDANCE WITH THE APPLICABLE ITEMS CONTAINED IN SECTIONS 858, 880, 1073, AND 1078 OF THE STANDARD SPECIFICATIONS EXCEPT AS MODIFIED HEREIN.

THE CONTRACTOR SHALL FURNISH AND INSTALL A SOLAR-POWERED FLASHING BEACON ASSEMBLY CONSISTING OF ONE 12" RED SIGNAL HEAD, FLASHER CONTROLLER, BATTERIES, AND SOLAR CELL (30-WATT MINIMUM).

THE FLASHING BEACON ASSEMBLY SHALL BE DESIGNED FOR CONTINUOUS OPERATION 24-7.

CURRENTLY, ONLY THE FOLLOWING PRODUCTS ARE APPROVED FOR USE BY THE DEPARTMENT:

- ° CARMANAH R247-F (SIGNAL HEAD)
- ° JSF TECHNOLOGIES 1400 24-HOUR

THE UNIT SHALL CONFORM TO THE FOLLOWING MINIMUM SPECIFICATIONS.

LED SIGNAL MODULE

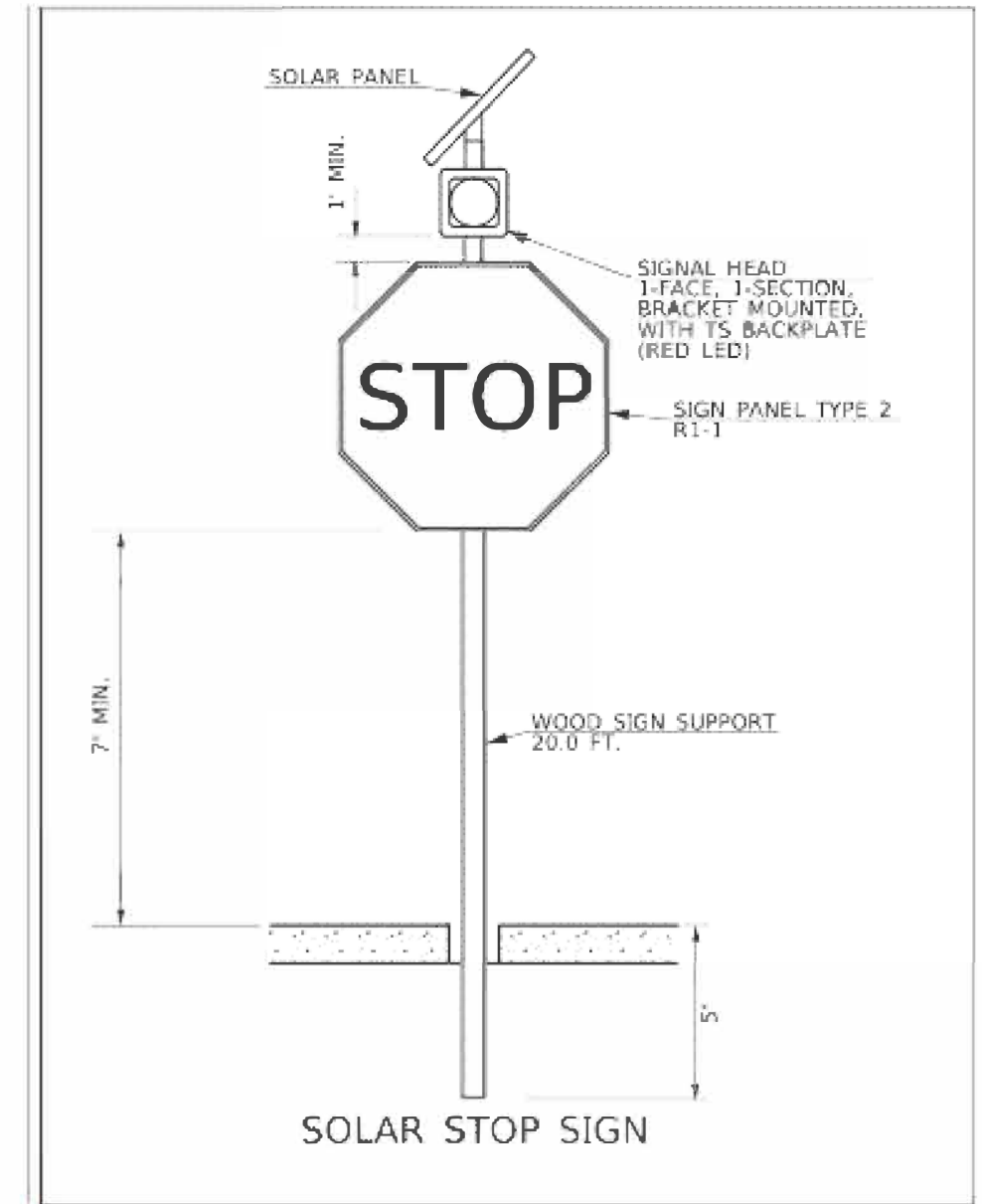
- ° RED
- ° ITE VTC SH-STD PART 2 COMPLIANT*
- ° 12" (300 MM) DIAMETER

WARRANTY

- ° 5-YEAR PRO-RATED WARRANTY ON ENTIRE SYSTEM INCLUDING BATTERIES

ENVIRONMENTAL

- ° OPTIMAL AMBIENT RANGE -4° TO 77° F TO (-20° +25° C)
- ° MAXIMUM AMBIENT TEMPERATURE RANGE -40° TO 176° F (-40° TO +80° C)
- ° SOLAR REQUIREMENTS: MAXIMUM INSTALLATION LATITUDE 49 DEG N/S**



MODEL: Default; FILE NAME: S:\CEN\WORK\STD&R\ASIS\QUAD\3\Doc\Documents\SAFETY PROJECTS 2021\IL 336 and 600 St Intersection\04_68DB8\CAD\Sheet\0468DB8-Solar-Powered Flashing Beacon - Detail.dgn

USER NAME = jonesros	DESIGNED -	REVISED -
	DRAWN -	REVISED -
PLOT SCALE = 20.0000' / in.	CHECKED -	REVISED -
PLOT DATE = 4/13/2022	DATE -	REVISED -

STATE OF ILLINOIS
DEPARTMENT OF TRANSPORTATION

IL 336 AND 600 ST INTERSECTION
SOLAR-POWERED FLASHING BEACON DETAIL

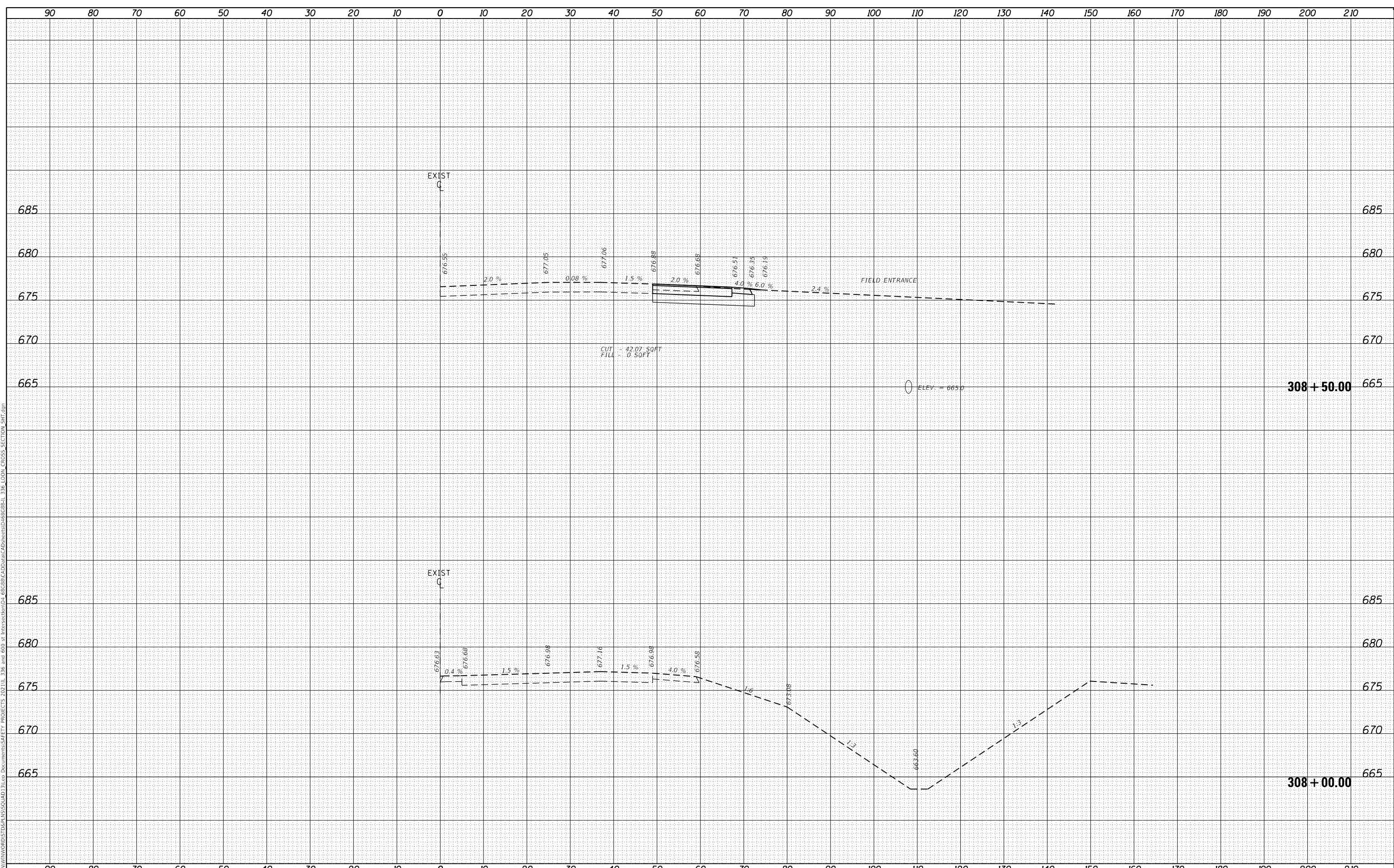
SCALE: SHEET OF SHEETS STA. TO STA.

F.A.P. RTE.	SECTION	COUNTY	TOTAL SHEETS	SHEET NO.
407	(55-2)N	MCDONOUGH	44	29A
CONTRACT NO. 68DB8				
ILLINOIS FED. AID PROJECT				

DATE	
BY	
SURVEYED	
PLOTTED	
TEMPLATE	
AREAS	
CHECKED	
FINAL	
SURVEY	
NOTE BOOK	
NO.	

DATE	
BY	
SURVEYED	
PLOTTED	
TEMPLATE	
AREAS	
CHECKED	
ORIGINAL	
SURVEY	
NOTE BOOK	
NO.	

MODEL: Default
 FILE NAME: S:\GEN\WORK\STDS&PLANS\ROAD\3160 Documents\SAFETY PROJECTS 2021\11 316 and 500 at Intersection\3160888\ADD\3160888\CRCS\SECTION_SIT.dgn



USER NAME = jonesros	DESIGNED -	REVISED -
	DRAWN -	REVISED -
PLOT SCALE = 20.0000 ' / in.	CHECKED -	REVISED -
PLOT DATE = 4/15/2022	DATE -	REVISED -

**STATE OF ILLINOIS
 DEPARTMENT OF TRANSPORTATION**

LOON CROSS SECTIONS

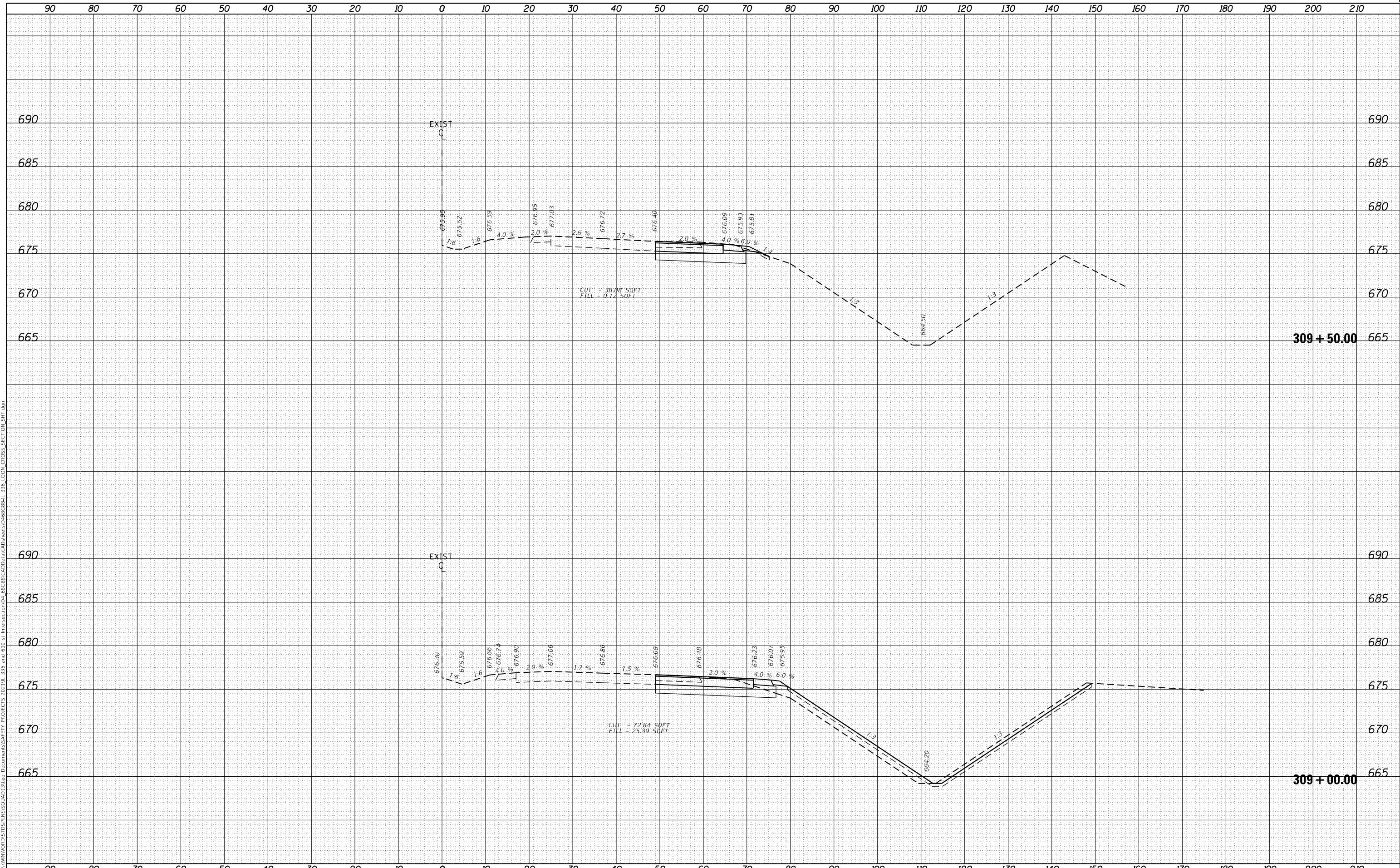
SCALE: SHEET OF SHEETS STA. 308+00.00 TO STA. 308+50.00

F.A.P. 407	SECTION	COUNTY	TOTAL SHEETS	SHEET NO.
IL 336	(55-2)N	MCDONOUGH	44A	44A
CONTRACT NO. 68G88				

DATE	
BY	
FINAL SURVEY	SURVEYED
NOTE BOOK	PLOTTED
NO.	TEMPLATE
	AREAS
	CHECKED

DATE	
BY	
ORIGINAL SURVEY	SURVEYED
NOTE BOOK	PLOTTED
NO.	TEMPLATE
	AREAS
	CHECKED

MODEL: Default
 FILE NAME: S:\ENR\WORK\2021\11\336 and 500 at Intersection\336 68G88\CAD\Drawn\CAD\Sheet\336 LOON CROSS SECTION.SHT.dgn



USER NAME = jonesros	DESIGNED -	REVISED -
	DRAWN -	REVISED -
PLOT SCALE = 20.0015' / in.	CHECKED -	REVISED -
PLOT DATE = 4/15/2022	DATE -	REVISED -

**STATE OF ILLINOIS
 DEPARTMENT OF TRANSPORTATION**

LOON CROSS SECTIONS

SCALE: SHEET OF SHEETS STA. 309+00.00 TO STA. 309+50.00

F.A.P. 407	SECTION	COUNTY	TOTAL SHEETS	SHEET NO.
IL 336	(55-2)N	MCDONOUGH	44B	44B
			CONTRACT NO. 68G88	

