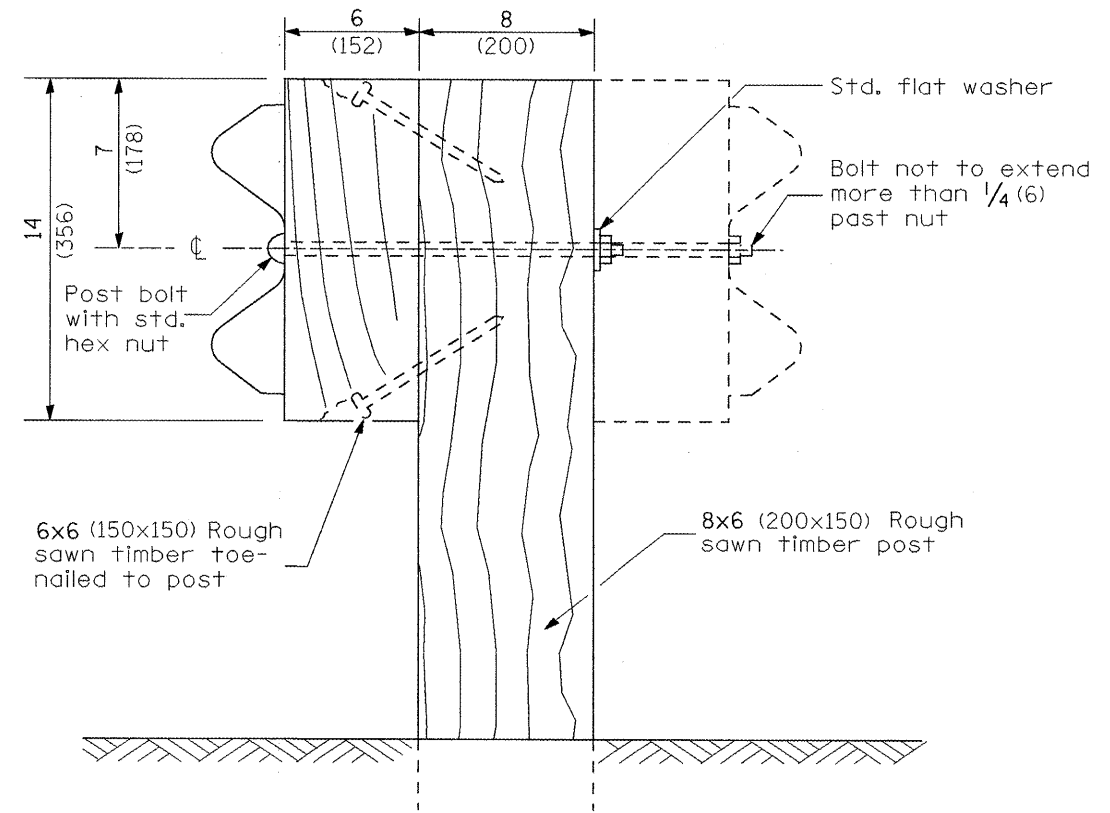
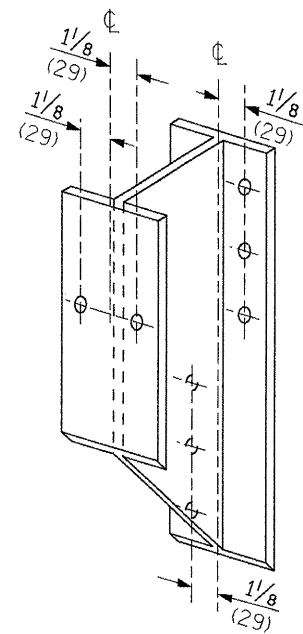


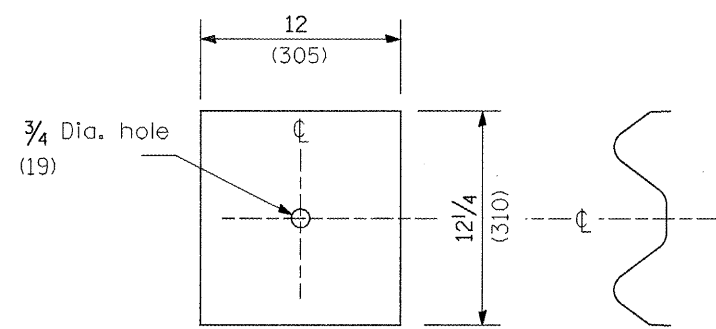
STEEL POST CONSTRUCTION



WOOD POST CONSTRUCTION



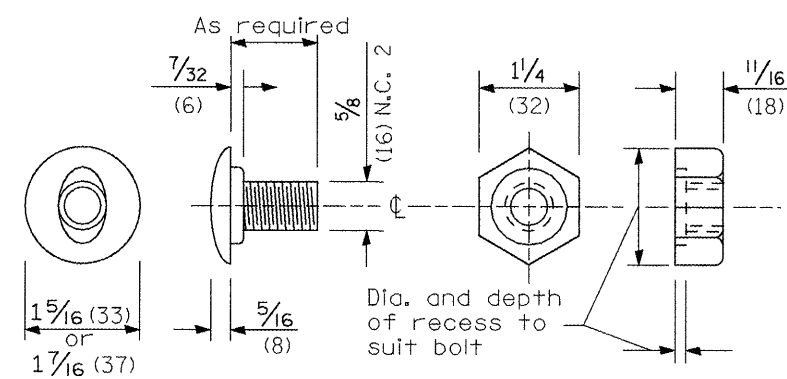
STEEL BLOCK-OUT DETAIL



NOTE

Plate A shall be placed between rail element and block-out at non-splice mounting points only when steel block-outs are used.

PLATE A



POST OR SPLICE BOLT & NUT

All dimensions are in inches (millimeters) unless otherwise noted.

STATE OF ILLINOIS
DEPARTMENT OF TRANSPORTATION

GUARDRAIL INSTALLATION DETAIL

NOT TO SCALE SHEET NO. 2 OF 4 SHEETS

F.A.P. RTE. 698 649	SECTION 48RS-2	COUNTY PEORIA/KNOX	TOTAL SHEETS 26	SHEET NO. 16
ILLINOIS			CONTRACT NO. 68633	