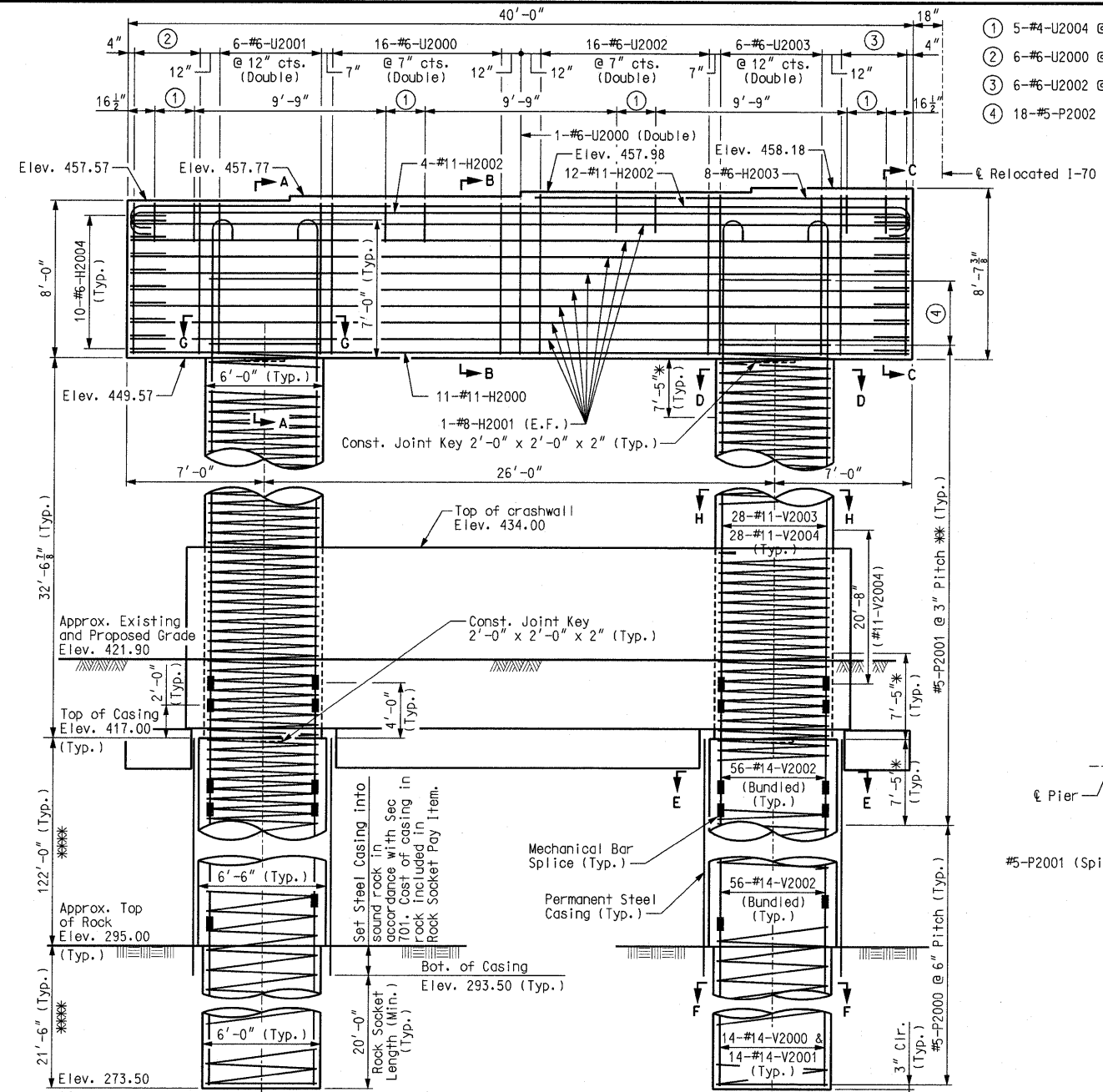
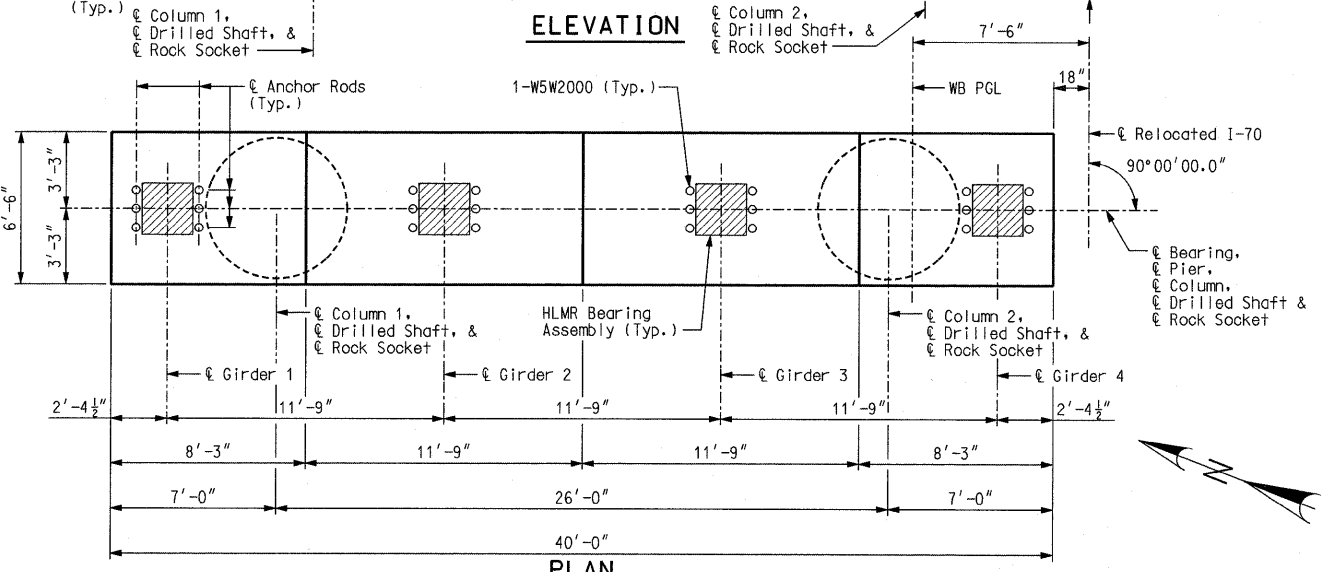


- ① 5-#4-U2004 @ 6" cts.
- ② 6-#6-U2000 @ 8" cts. (Double)
- ③ 6-#6-U2002 @ 8" cts. (Double)
- ④ 18-#5-P2002 @ 3" cts. (Typ.) \*\*\*

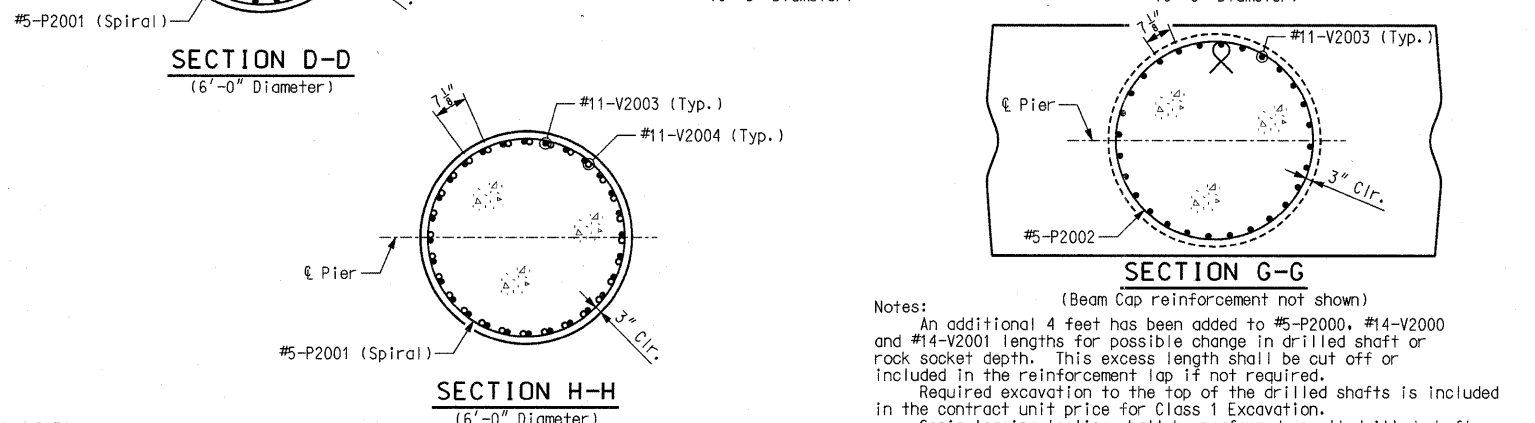
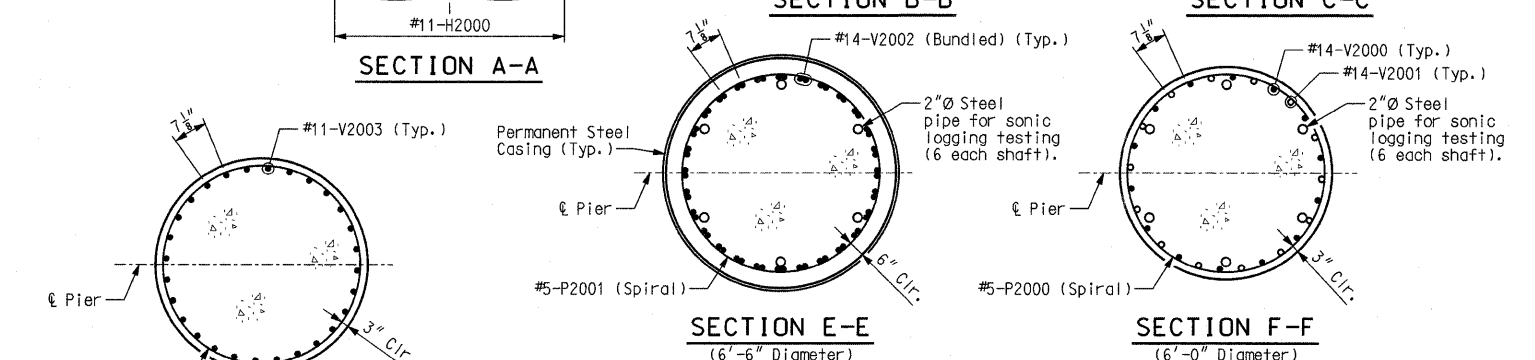
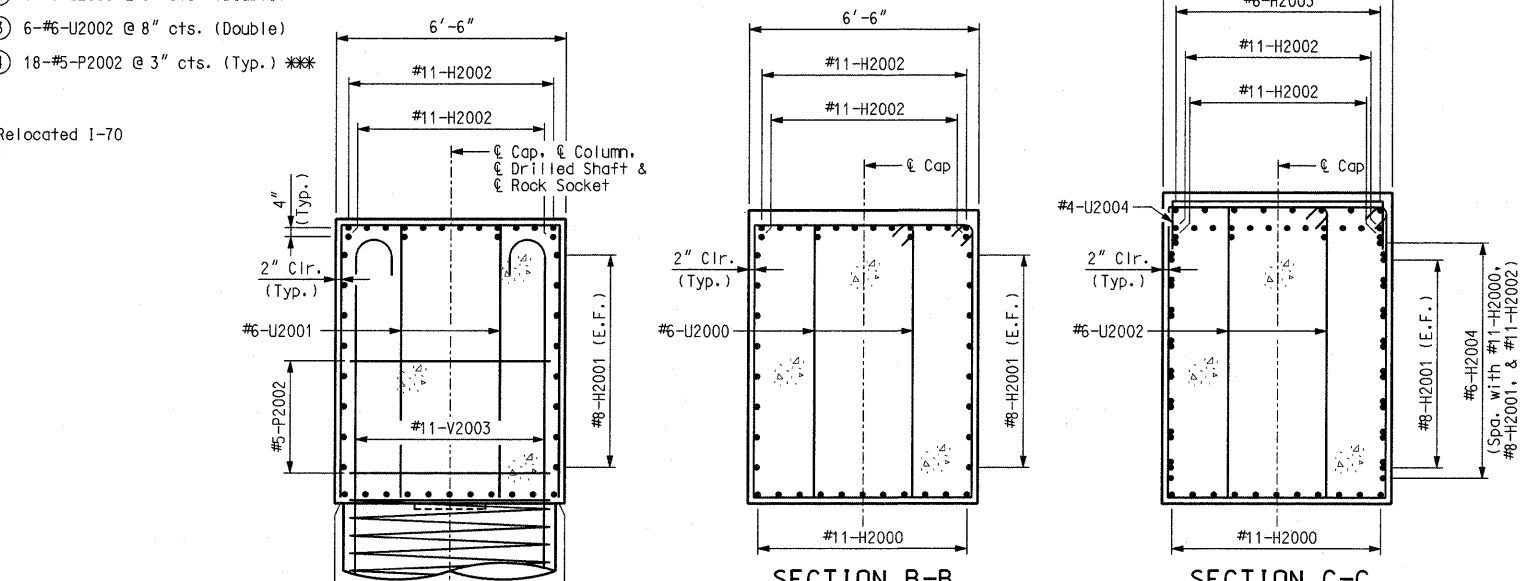


**ELEVATION**



**PLAN**

Note: This drawing is not to scale. Follow dimensions.



**SUBSTRUCTURE QUANTITY TABLE FOR PIER 20 WB**

Item	Quantity
Class 1 Excavation	cu. yard 25
Drilled Shafts (6 ft. 6 in. Dia.)	linear foot 244.0
Rock Sockets (6 ft. 0 in. Dia.)	linear foot 43.0
Supplementary Television Camera Inspection	each 1
Foundation Inspection Holes	linear foot 63.0
Sonic Logging Testing	each 2
Class B Concrete (Substructure)	cu. yard 306.5
Reinforcing Steel (Bridges)	pound 169,890
Mechanical Bar Splice	each 280
Non-Special Waste Disposal	cu. yard 122.6

Note: These quantities are included in the estimated quantities table on Sheet No. 7.

**Notes:**  
 An additional 4 feet has been added to #5-P2000, #14-V2000 and #14-V2001 lengths for possible change in drilled shaft or rock socket depth. This excess length shall be cut off or included in the reinforcement lap if not required.  
 Required excavation to the top of the drilled shafts is included in the contract unit price for Class 1 Excavation.  
 Sonic logging testing shall be performed on all drilled shafts and rock sockets.  
 All reinforcing bars in the tops of substructure beams or caps shall be spaced to clear anchor rod wells for bearings by at least 1/2". The hooks of V-Bars embedded in the beam cap shall be oriented inward. Bending the hook outward, away from the column core, is not allowed.  
 The thickness of steel casing shall meet all the requirements of Sec 701 with minimum thickness being 3/8 inch. Thicker casing may be required for installation.  
 For details of HLMR Bearing Assembly, see Sheet No. 43.  
 For Anchor Rod Details and Anchor Rod Setting Plan, see Sheet No. 46.  
 For details of seismic stirrup bars, see Sheet No. 7.  
 \* Lapping of spiral reinforcement in this region not permitted.  
 \*\* Continue spiral bars to the bottom of the beam cap stirrup reinforcing bar.  
 \*\*\* Splice locations shall be staggered.  
 Anchorage of spiral reinforcement shall be provided by 1-1/2 extra turns of spiral bar at each end of spiral unit.  
 \*\*\*\* Pay Items Drilled Shaft (6 ft. 6 in. Dia.).  
 \*\*\*\*\* Pay Items Drilled Shaft (6 ft. 6 in. Dia.).  
 For Pier Crashwall Details, see Sheet No. 35.  
 If unsuitable material is encountered, excavation of unsuitable material and furnishing and placing of granular backfill shall be in accordance with Sec 206.

**PIER 20 WB**

Detailed JUL 2009  
 Checked JUL 2009

CONTRACT NO. 76D61	
F.A. ROUTE	SECTION
999	82-1B-2
FED. AID PROJECT	ILLINOIS
COUNTY	ST. CLAIR
USER NAME = jjo11fff	
PLOT SCALE = #SCALE#	
PLOT DATE = 4/14/2010	
DESIGNED -	HNTB
CHECKED -	CMT
DRAWN -	CMT / HNTB
REVISED -	
REVISED -	
REVISED -	
REVISED -	
ILLINOIS APPROACH STRUCTURE FOR NEW I-70 MISSISSIPPI RIVER BRIDGE	
STATE OF ILLINOIS DEPARTMENT OF TRANSPORTATION	MISSOURI HIGHWAYS AND TRANSPORTATION COMMISSION
 715 KIRK DRIVE KANSAS CITY, MO 64105 TELEPHONE (816) 472-1201 CERTIFICATE OF AUTHORITY NO. 001270	
 CRAWFORD, MURPHY & TILLY, INC. 2750 WEST WASHINGTON STREET SPRINGFIELD, IL 62702 TELEPHONE (217) 787-8050 ENGINEERING CORPORATION - 000631	