

CONTRACT NO. 76D61	
F.A. ROUTE	SECTION
999	82-1B-2
FED. AID PROJECT	ILLINOIS
COUNTY	ST. CLAIR
USER NAME = Jjolliff	
PLOT SCALE = *SCALE*	
PLOT DATE = 4/14/2010	
DESIGNED -	HNTB
CHECKED -	CMT
DRAWN -	CMT / HNTB
REVISED -	
REVISED -	
REVISED -	
REVISED -	

ILLINOIS APPROACH STRUCTURE FOR NEW I-70 MISSISSIPPI RIVER BRIDGE

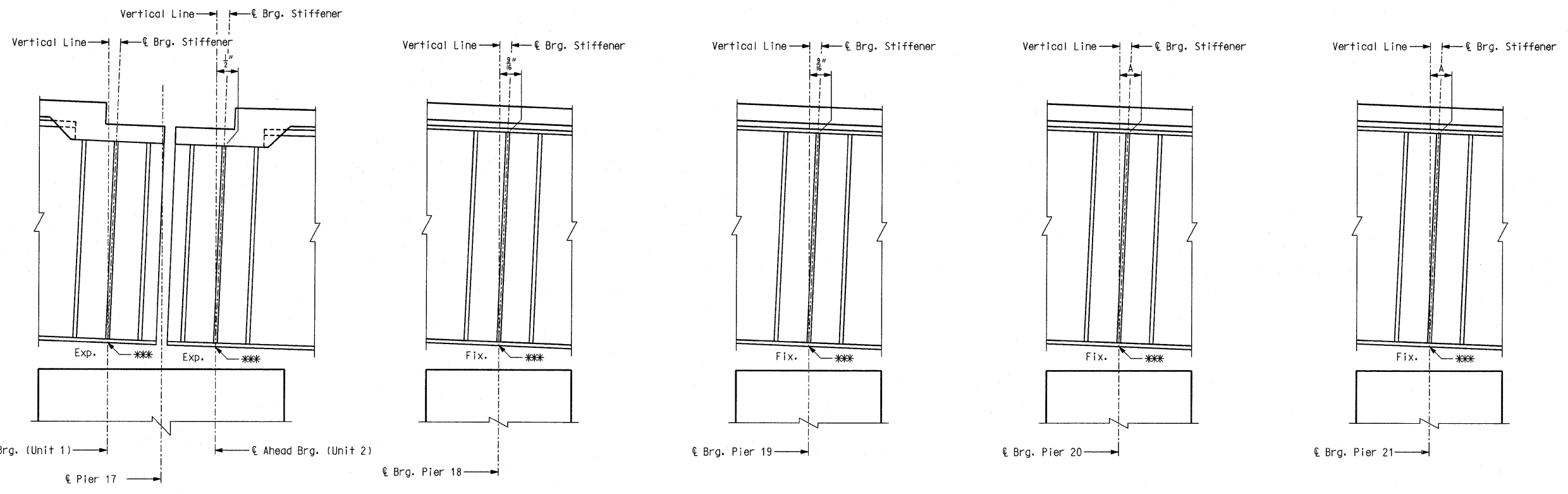
STATE OF ILLINOIS
DEPARTMENT OF TRANSPORTATION
MISSOURI HIGHWAYS
AND TRANSPORTATION COMMISSION

HNTB

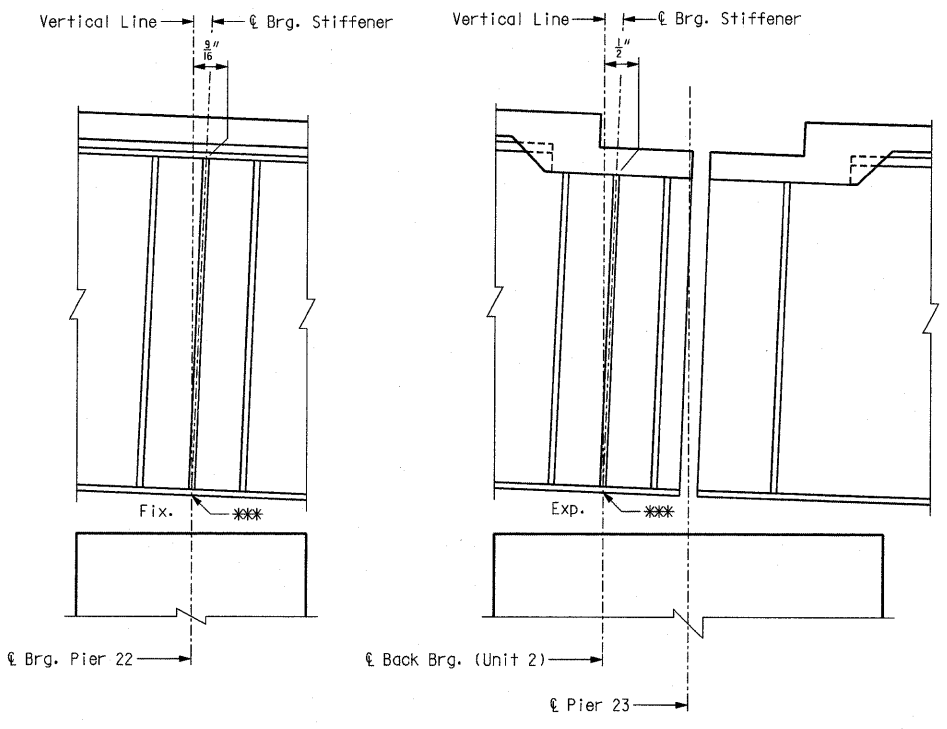
715 KIRK DRIVE
KANSAS CITY, MO 64105
TELEPHONE (816) 472-1201
CERTIFICATE OF AUTHORITY
NO. 001270

CMT

CRAWFORD, MURPHY & TILLY, INC.
2750 WEST WASHINGTON STREET
SPRINGFIELD, IL 62702
TELEPHONE (217) 787-8050
ENGINEERING CORPORATION - 000631



PART LONGITUDINAL SECTION



PART LONGITUDINAL SECTION

Location	Pier 20	Pier 21
Girder 1	0"	0"
Girder 2	$\frac{3}{16}$ "	$\frac{3}{16}$ "
Girder 3	$\frac{7}{16}$ "	$\frac{7}{16}$ "
Girder 4	$\frac{5}{8}$ "	$\frac{5}{8}$ "
Girder 5	$\frac{3}{16}$ "	$\frac{1}{2}$ "
Girder 6	$\frac{3}{16}$ "	$\frac{3}{4}$ "
Girder 7	$\frac{3}{16}$ "	$\frac{15}{16}$ "
Girder 8	$\frac{3}{16}$ "	$1\frac{3}{16}$ "

Notes:
*** Point of Rotation located at bottom of flange.
Dimensions shown and Dimension "A" are the horizontal dimension at the top of web.

PART LONGITUDINAL SECTION - UNIT 2 EB AND WB

Detailed JUL 2009
Checked JUL 2009

Note: This drawing is not to scale. Follow dimensions.

Sheet No. 65 of 152