

F.A. ROUTE	SECTION
999	82-1B-2
FED. AID PROJECT	ILLINOIS
COUNTY	ST. CLAIR
USER NAME = jjo11fff	
PLOT SCALE = #SCALE#	
PLOT DATE = 4/14/2010	
DESIGNED -	HNTB
CHECKED -	CMT
DRAWN -	CMT / HNTB
REVISED -	
REVISED -	
REVISED -	
REVISED -	

ILLINOIS APPROACH STRUCTURE FOR NEW I-70 MISSISSIPPI RIVER BRIDGE

STATE OF ILLINOIS
DEPARTMENT OF TRANSPORTATION

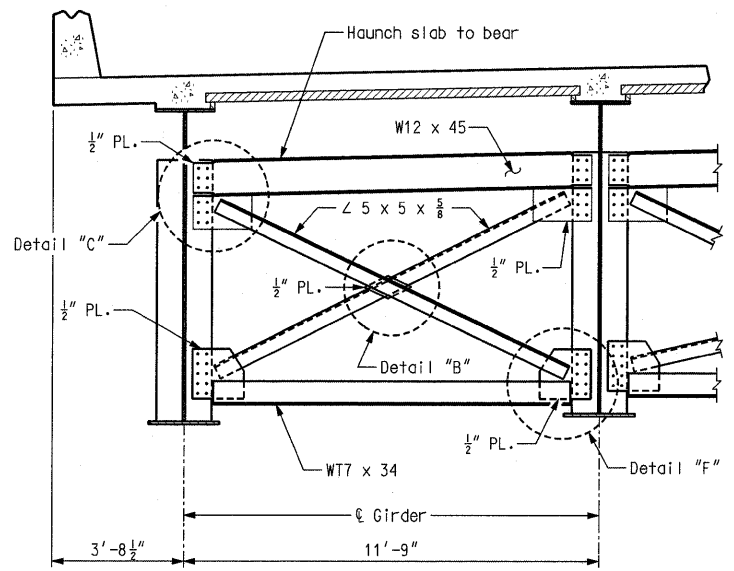
MISSOURI HIGHWAYS AND TRANSPORTATION COMMISSION

HNTB

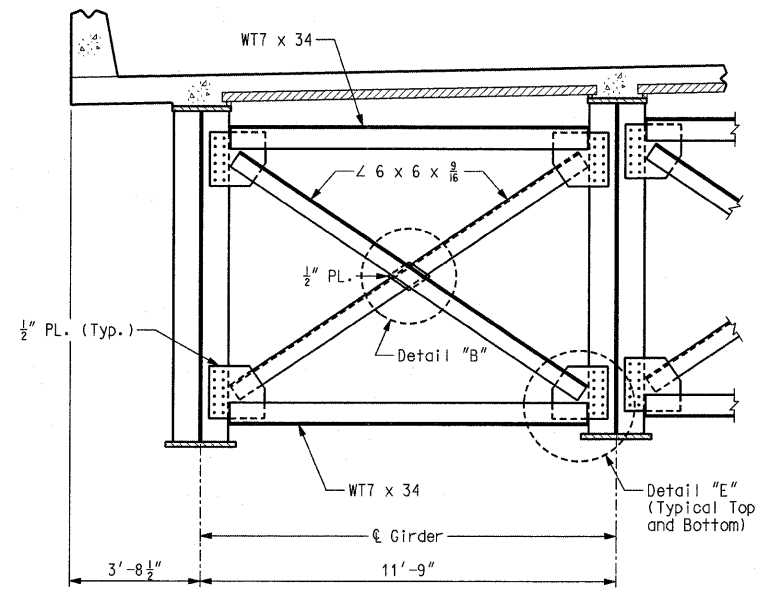
715 KIRK DRIVE
KANSAS CITY, MO 64105
TELEPHONE (816) 472-1201
CERTIFICATE OF AUTHORITY
NO. 001270

CMT

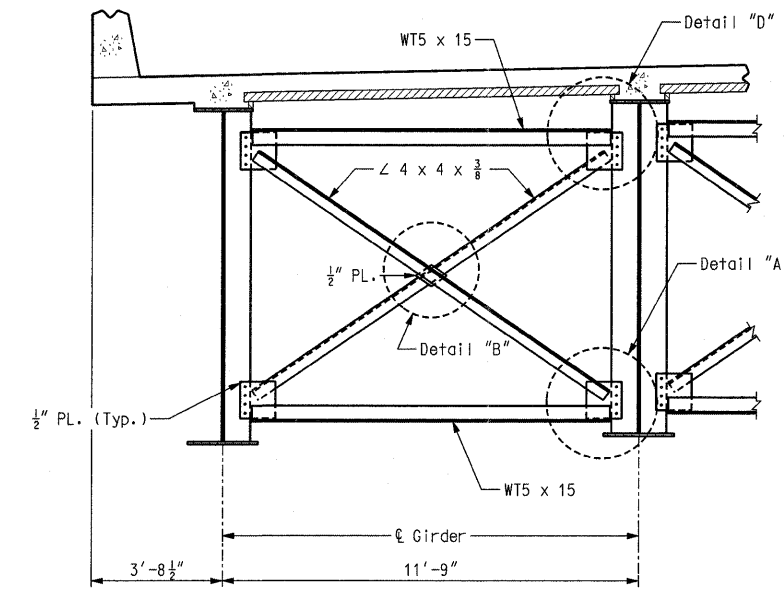
CRAWFORD, MURPHY & TILLY, INC.
2750 WEST WASHINGTON STREET
SPRINGFIELD, IL 62702
TELEPHONE (217) 787-8050
ENGINEERING CORPORATION - 000631



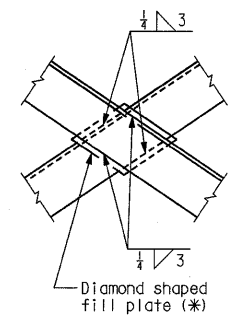
TYPICAL PART SECTION SHOWING END DIAPHRAGM AT PIERS 13 AND 17



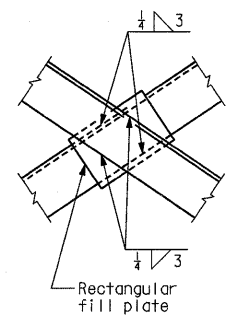
TYPICAL PART SECTION SHOWING CROSS FRAME AT PIERS 14, 15, AND 16



TYPICAL PART SECTION SHOWING INTERMEDIATE CROSS FRAMES

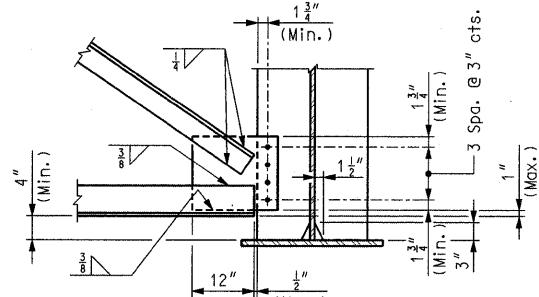


DETAIL "B"

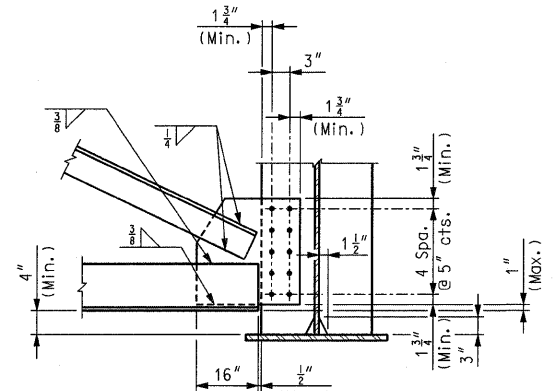


OPTIONAL
DETAIL "B"

(*) At the contractor's option, rectangular fill plates may be used in lieu of diamond fill plates as shown in Optional Detail "B".

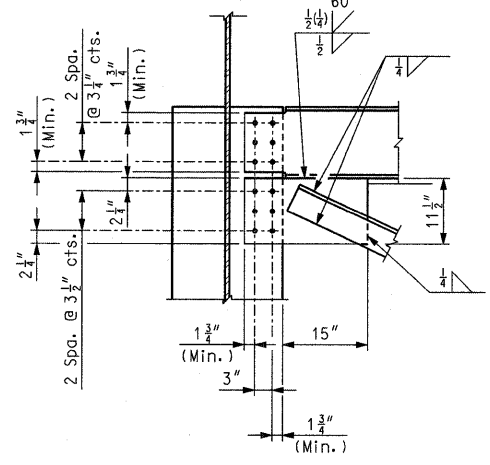


DETAIL "A"

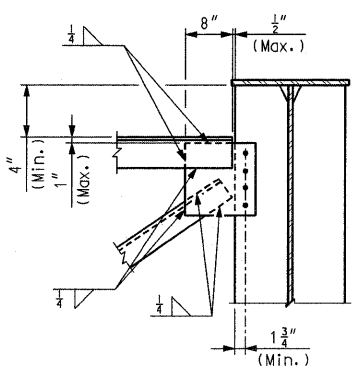


DETAIL "F"

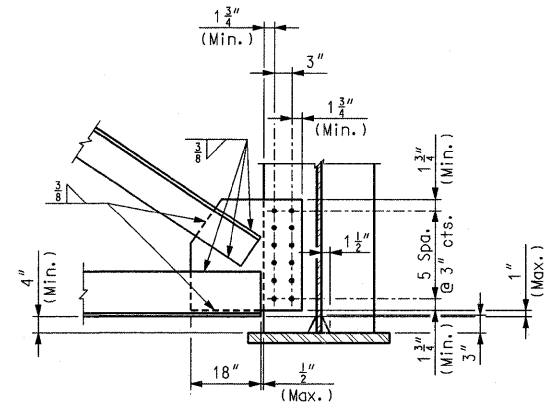
Note:
All bolts shall be 1" Ø ASTM A325 High Strength Bolts.
All steel shall be ASTM A709 Grade 50W.



DETAIL "C"



DETAIL "D"



DETAIL "E"

CROSS FRAME AND DIAPHRAGM DETAILS - UNIT 1