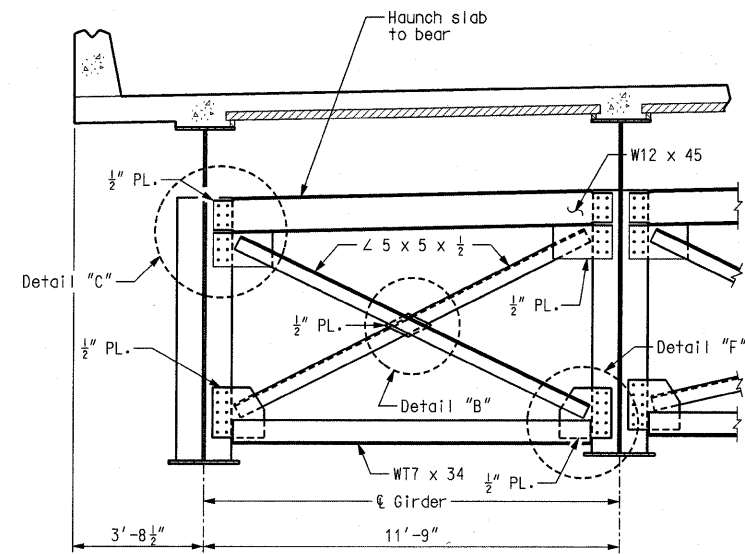
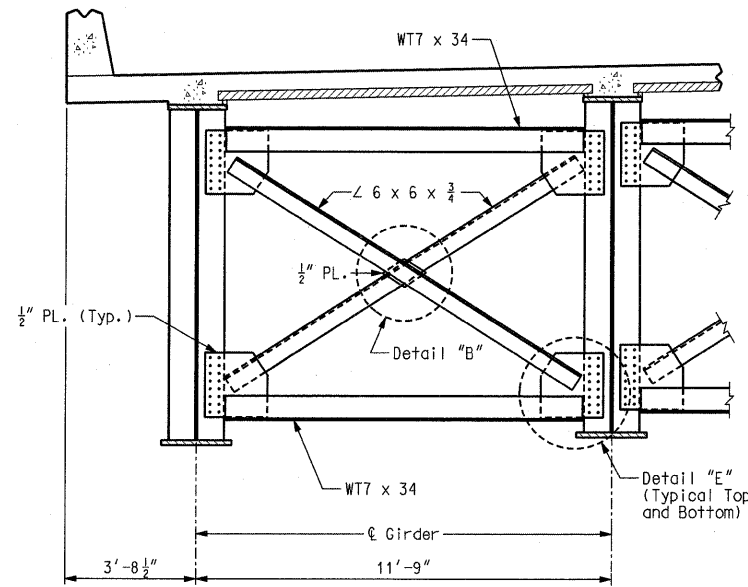


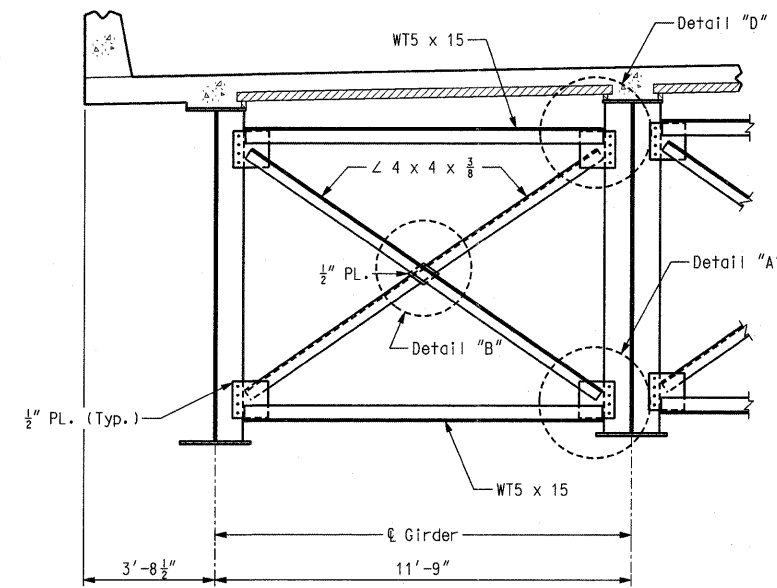
F.A. ROUTE	SECTION
999	82-1B-2
FED. AID PROJECT	ILLINOIS
COUNTY	ST. CLAIR
USER NAME = Jjelliff	
PLOT SCALE = #SCALE#	
PLOT DATE = 4/14/2010	
DESIGNED -	HNTB
CHECKED -	CMT
DRAWN -	CMT / HNTB
REVISED -	
REVISED -	
REVISED -	
REVISED -	



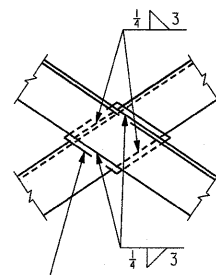
TYPICAL PART SECTION SHOWING  
END DIAPHRAGM AT PIERS 17 AND 23



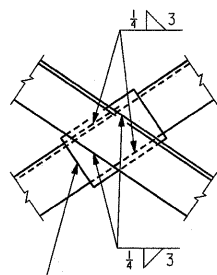
TYPICAL PART SECTION SHOWING  
CROSS FRAME AT PIERS 18, 19, 20, 21, AND 22



TYPICAL PART SECTION SHOWING  
INTERMEDIATE CROSS FRAMES

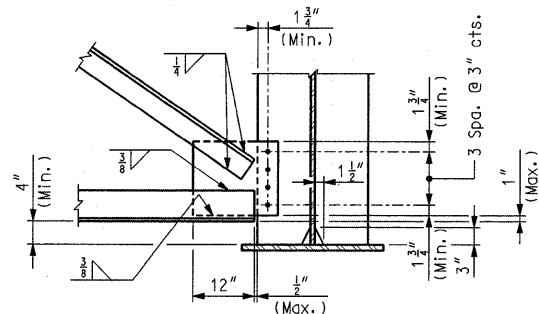


DETAIL "B"

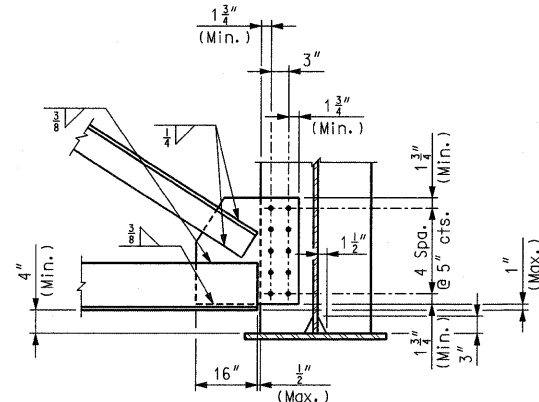


OPTIONAL  
DETAIL "B"

(\*) At the contractor's option, rectangular fill plates may be used in lieu of diamond fill plates as shown in Optional Detail "B".

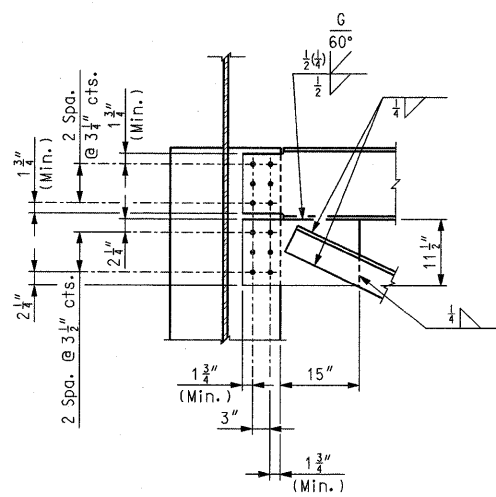


DETAIL "A"

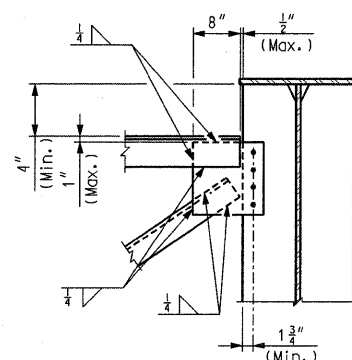


DETAIL "F"

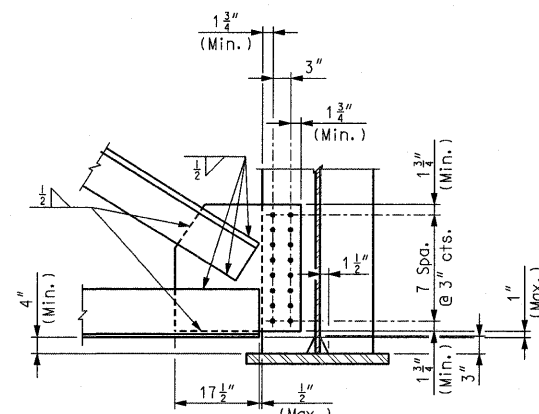
Note:  
All bolts shall be 1" Ø ASTM  
A325 High Strength Bolts.  
All steel shall be ASTM A709  
Grade 50W.



DETAIL "C"



DETAIL "D"



DETAIL "E"

CROSS FRAME AND DIAPHRAGM DETAILS - UNIT 2

ILLINOIS APPROACH STRUCTURE  
FOR NEW I-70 MISSISSIPPI RIVER BRIDGE

STATE OF ILLINOIS  
DEPARTMENT OF TRANSPORTATION  
MISSOURI HIGHWAYS  
AND TRANSPORTATION COMMISSION

**HNTB**  
715 KIRK DRIVE  
KANSAS CITY, MO 64105  
TELEPHONE (816) 472-1201  
CERTIFICATE OF AUTHORITY  
NO. 001270

**CMT**  
CRAWFORD, MURPHY & TILLY, INC.  
2750 WEST WASHINGTON STREET  
SPRINGFIELD, IL 62702  
TELEPHONE (217) 787-8050  
ENGINEERING CORPORATION - 000631