

F.A. ROUTE	SECTION
999	82-1B-2
FED. AID PROJECT	ILLINOIS
COUNTY	ST. CLAIR
USER NAME = Jjolliff	
PLOT SCALE = #SCALE#	
PLOT DATE = 4/14/2010	
DESIGNED -	HNTB
CHECKED -	CMT
DRAWN -	CMT / HNTB
REVISED -	
REVISED -	
REVISED -	
REVISED -	

ILLINOIS APPROACH STRUCTURE FOR NEW I-70 MISSISSIPPI RIVER BRIDGE

STATE OF ILLINOIS
DEPARTMENT OF TRANSPORTATION

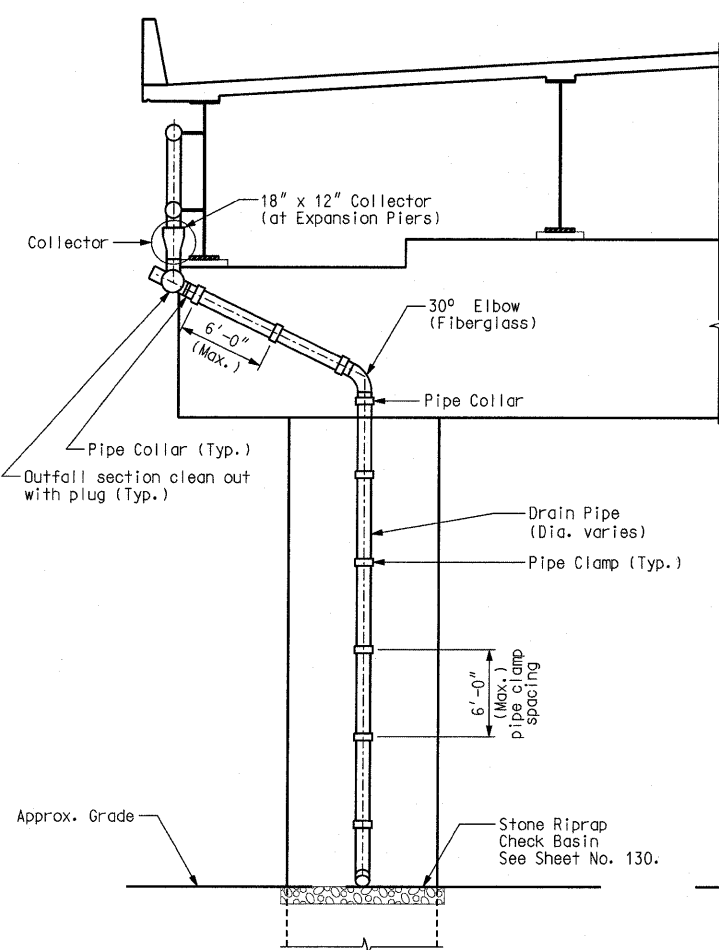
MISSOURI HIGHWAYS AND TRANSPORTATION COMMISSION

HNTB

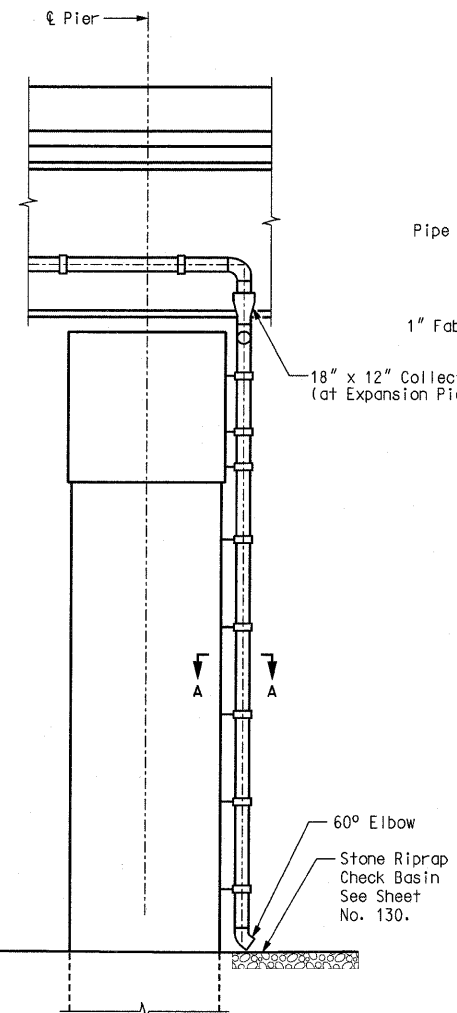
715 KIRK DRIVE
KANSAS CITY, MO 64105
TELEPHONE (816) 472-1201
CERTIFICATE OF AUTHORITY NO. 001270

CMT

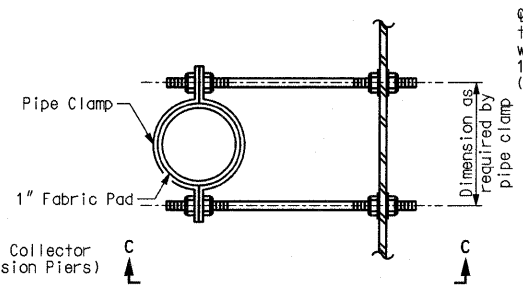
CRAWFORD, MURPHY & TILLY, INC.
2750 WEST WASHINGTON STREET
SPRINGFIELD, IL 62702
TELEPHONE (217) 787-8050
ENGINEERING CORPORATION - 000631



**ELEVATION
SCUPPER OUTFALL**

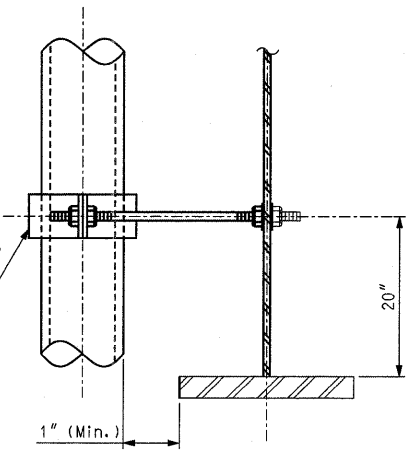


**END VIEW
SCUPPER OUTFALL**

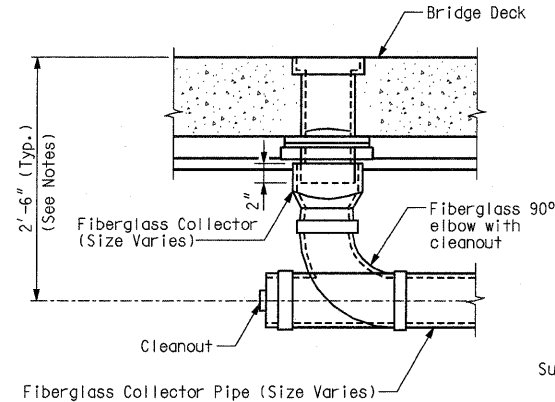


SUPPORT BRACKET

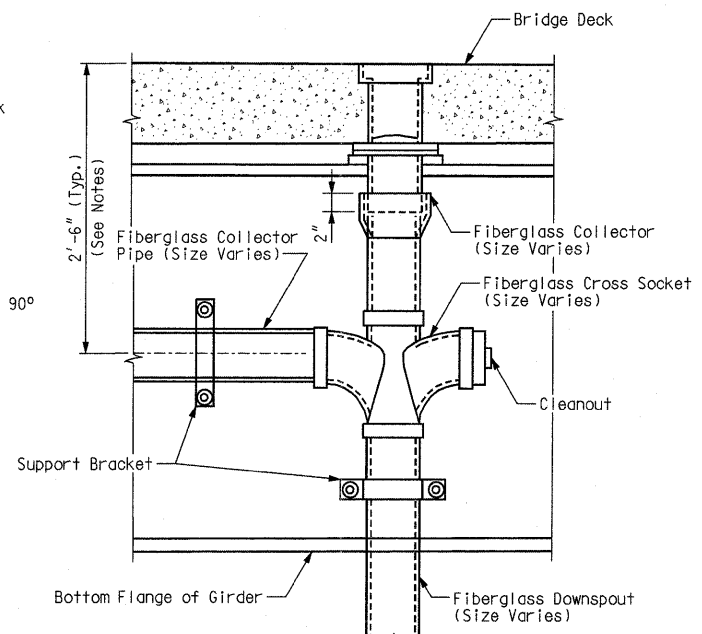
Ø 1/2" dia. steel stud bolts threaded 10" each end with 2 washers & locknut 11/16" dia. holes in web (May be drilled in field)



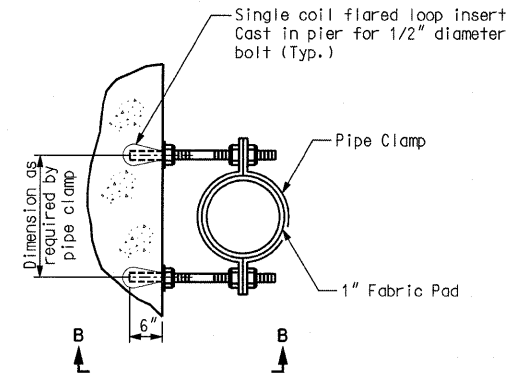
VIEW C-C



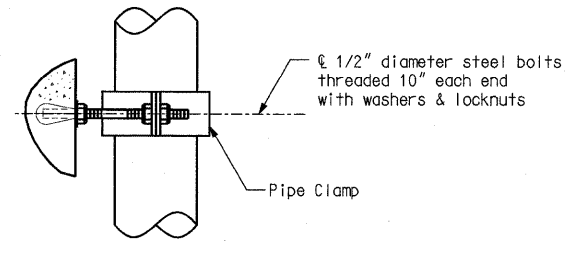
**COLLECTOR PIPE
DETAIL - END SECTION**



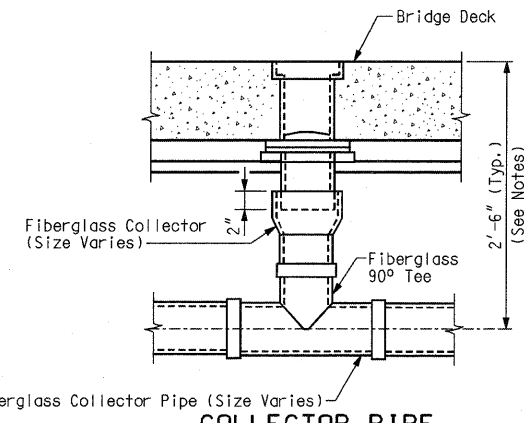
**COLLECTOR PIPE
DETAIL - OUTFALL SECTION**



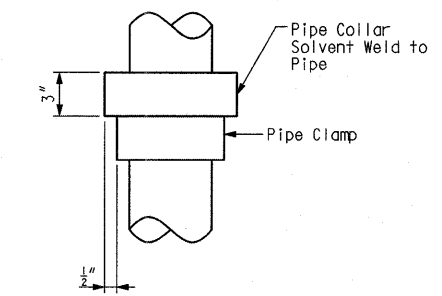
SECTION A-A



VIEW B-B



**COLLECTOR PIPE
DETAIL - TEE SECTION**



PIPE COLLAR DETAIL

Notes:
 In areas where the pipe collector system flows opposite the bridge profile, the typical height shall vary as necessary to meet a minimum 0.5% slope to drain.
 All downspouts from scuppers shall be 6" unless otherwise noted.
 All fiberglass collectors and pipe clamps shall match the pipe size(s) shown in the drainage plan and profile.
 All pipe clamps, fabric pads inserts, collectors and other work necessary to install the system shall be considered completely covered by bid item, Drainage System (On Structure).
 All fiberglass pipe shall conform to ASTM D 2996 with a short-time rupture strength hoop tensile stress of 30,000 psi min. Color shall be concrete gray.

Note: This drawing is not to scale. Follow dimensions.

Sheet No. 129 of 152

DRAINAGE SYSTEM DETAILS 1

Detailed JUL 2009
Checked JUL 2009