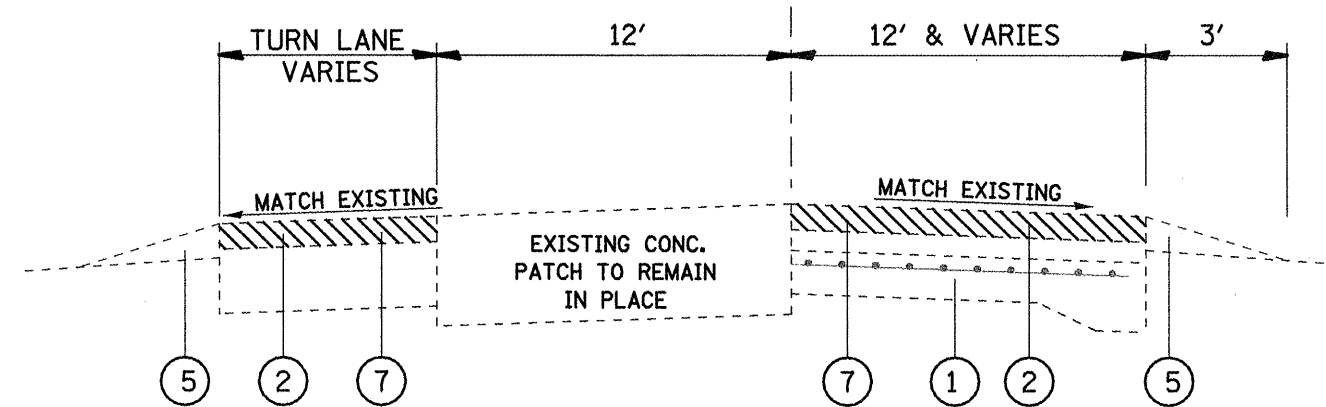
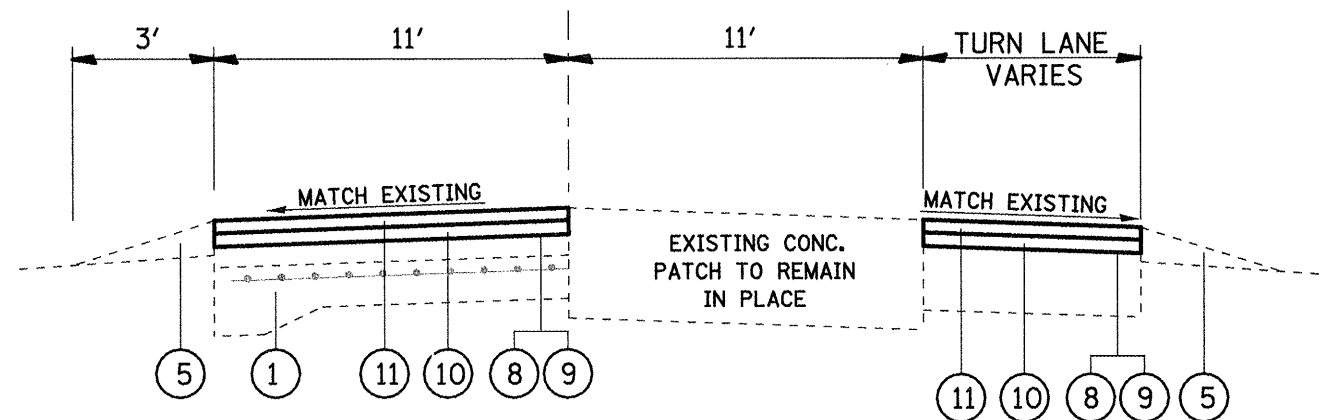


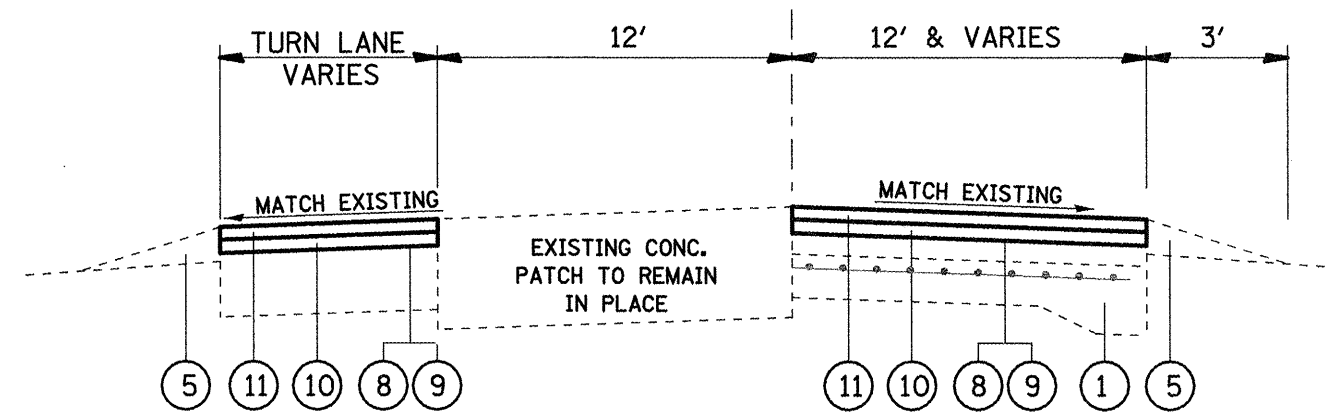
LOCATION 2
EXISTING TYPICAL SECTION
STA 76+76 TO STA 77+85



LOCATION 2
EXISTING TYPICAL SECTION
STA 78+85 TO STA 80+46



LOCATION 2
PROPOSED TYPICAL SECTION
STA 76+76 TO STA 77+85



LOCATION 2
PROPOSED TYPICAL SECTION
STA 78+85 TO STA 80+46

- | | |
|---|--|
| ① EXISTING CONCRETE PAVEMENT | ⑨ PROPOSED AGGREGATE MATERIAL (PRIME COAT) |
| ② EXISTING HMA OVERLAY | ⑩ PROPOSED LEVELING BINDER (MM), N90 - (LOC. #1 - 1" & LOC. #2 - 3/4") |
| ③ EXISTING HMA SHOULDER | ⑪ PROPOSED HMA SURFACE COURSE, MIX D, N90 - 1/2" |
| ④ EXISTING CONCRETE CURB AND GUTTER | ⑫ PROPOSED HMA SHOULDERS - 2 1/2" |
| ⑤ EXISTING AGGREGATE SHOULDER | ⑬ PROPOSED THERMOPLASTIC PAVEMENT MARKING |
| ⑥ EXISTING WIDENING | ⑭ PROPOSED AGGREGATE SHOULDER |
| ⑦ PROPOSED HMA SURFACE REMOVAL - 2" | ⑮ EXISTING CONCRETE MEDIAN |
| ⑧ PROPOSED BITUMINOUS MATERIAL (PRIME COAT) | ⑯ PROPOSED CLASS C CONCRETE PATCH, TYPE IV, 10 INCH |

NOT TO SCALE

FILE NAME =	USER NAME = watorale
ct:\pwwork\pwwid\DOT\WATER9LE\d0175033\d08	6d83-shr-plan.dgn
PLOT SCALE = 1/8" = 1'-0"	
PLOT DATE = 3/12/2010	

DESIGNED -	REVISOR -
DRAWN -	REVISOR -
CHECKED -	REVISOR -
DATE -	REVISOR -

DESIGNED -	REVISOR -
DRAWN -	REVISOR -
CHECKED -	REVISOR -
DATE -	REVISOR -

STATE OF ILLINOIS
DEPARTMENT OF TRANSPORTATION

TYPICAL SECTIONS (LOCATION #2 - HAWTHORNE / MADISON AVE.)	
SCALE: _____	SHEET NO. 4 OF 13 SHEETS
STA. _____	TO STA. _____

F.A. RTE.	SECTION	COUNTY	TOTAL SHEETS	SHEET NO.
VAR.	DIST. 8 RESURF. 2010-5	MADISON	57	10
CONTRACT NO. 76083				
FED. ROAD DIST. NO. 8 ILLINOIS FED. AID PROJECT				