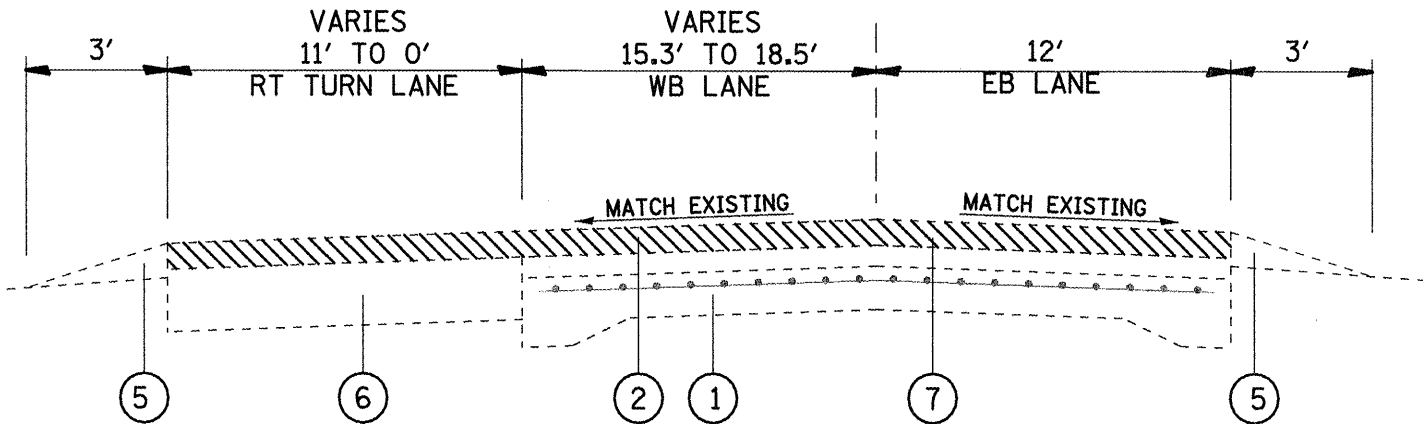
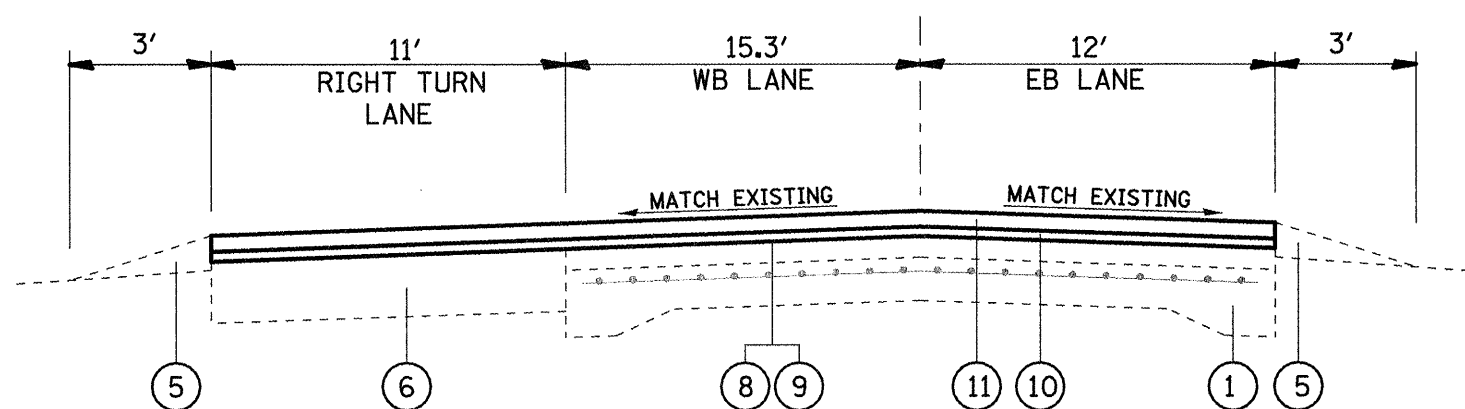


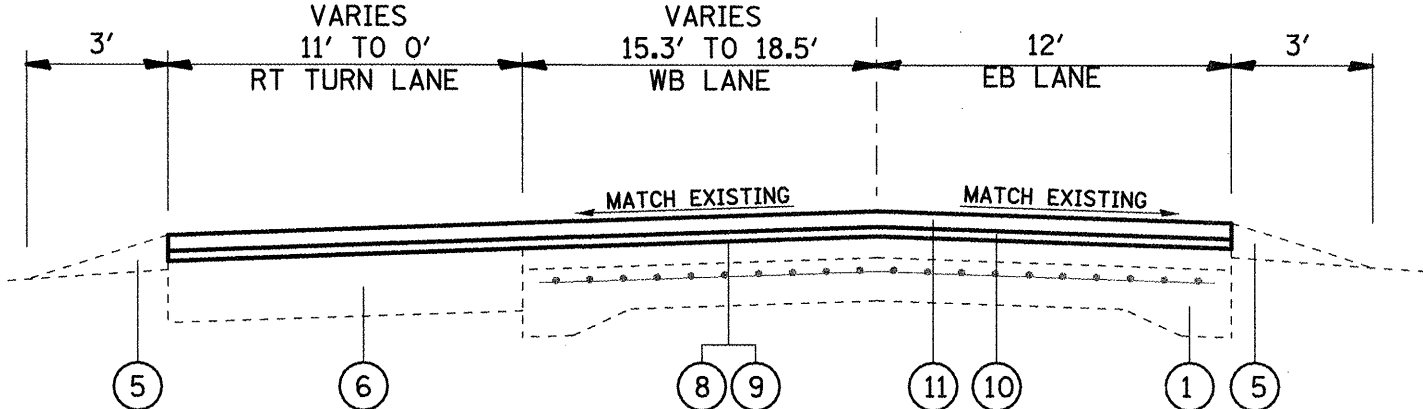
LOCATION 2
EXISTING TYPICAL SECTION
STA 136+34 TO STA 137+48



LOCATION 2
EXISTING TYPICAL SECTION
STA 137+48 TO STA 139+58



LOCATION 2
PROPOSED TYPICAL SECTION
STA 136+34 TO STA 137+48



LOCATION 2
PROPOSED TYPICAL SECTION
STA 137+48 TO STA 139+58

- ① EXISTING CONCRETE PAVEMENT
- ② EXISTING HMA OVERLAY
- ③ EXISTING HMA SHOULDER
- ④ EXISTING CONCRETE CURB AND GUTTER
- ⑤ EXISTING AGGREGATE SHOULDER
- ⑥ EXISTING WIDENING
- ⑦ PROPOSED HMA SURFACE REMOVAL - 2"
- ⑧ PROPOSED BITUMINOUS MATERIAL (PRIME COAT)
- ⑨ PROPOSED AGGREGATE MATERIAL (PRIME COAT)
- ⑩ PROPOSED LEVELING BINDER (MM), N90 - (LOC. #1 - 1" & LOC. #2 - 3/4")
- ⑪ PROPOSED HMA SURFACE COURSE, MIX D, N90 - 1 1/2"
- ⑫ PROPOSED HMA SHOULDERS - 2 1/2"
- ⑬ PROPOSED THERMOPLASTIC PAVEMENT MARKING
- ⑭ PROPOSED AGGREGATE SHOULDER
- ⑮ EXISTING CONCRETE MEDIAN
- ⑯ PROPOSED CLASS C CONCRETE PATCH, TYPE IV, 10 INCH

NOT TO SCALE

FILE NAME =	USER NAME = watersle	DESIGNED -	REVISED -	STATE OF ILLINOIS DEPARTMENT OF TRANSPORTATION	TYPICAL SECTIONS (LOCATION #2 - HAWTHORNE /MADISON AVE.)	F.A. RTE.	SECTION	COUNTY	TOTAL SHEETS	SHEET NO.	
ca:\pwork\pwork\WATERSLE\d0175033\d8	6d83-ahd-plan.dgn	DRAWN -	REVISED -			VAR.	DIST. 8 RESURF. 2010-5	MADISON	57	12	
	PLOT SCALE = 1/8" = 1' / IN.	CHECKED -	REVISED -			CONTRACT NO. 76083					
	PLOT DATE = 3/12/2018	DATE -	REVISED -			FED. ROAD DIST. NO. 8 ILLINOIS FED. AID PROJECT					