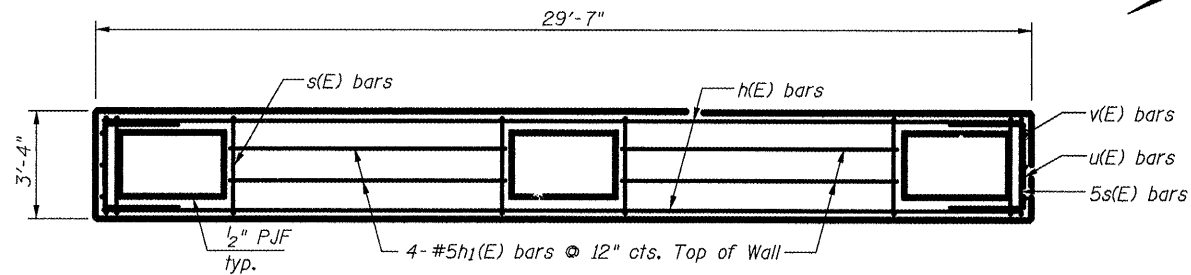


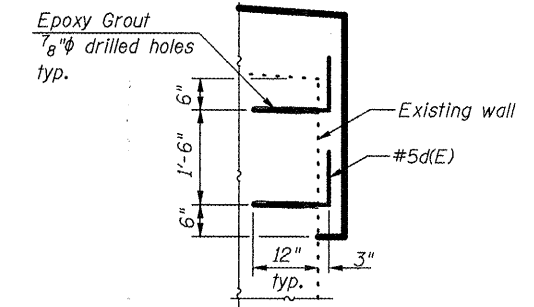
**GENERAL NOTES**

Reinforcement bars shall conform to the requirements of ASTM A 706 Gr 60. See Special Provisions  
 Reinforcement bars designated (E) shall be epoxy coated.  
 Plan dimensions and details relative to existing plans are subject to routine variations. The Contractor shall field verify existing dimensions and details affecting new construction and make necessary approved adjustments prior to construction or ordering of materials. Such variations shall not be cause for additional compensation for a change in scope of the work, however, the Contractor will be paid for the quantity actually furnished based upon the unit price bid for the work.  
 Epoxy Grouting to be done in accordance with Art. 584 of the Standard Specifications. Cost included with Reinforcement Bars (Epoxy Coated).  
 Class SI Concrete shall be used for all pier concrete.  
 All Exposed edges shall be Chamfered 3/4".

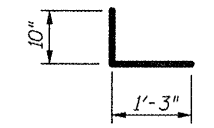
**STATE OF ILLINOIS  
 DEPARTMENT OF TRANSPORTATION**



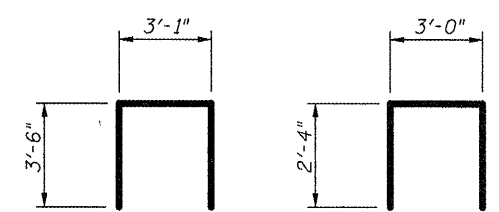
**PLAN VIEW OF CRASHWALL**



**DETAIL A**

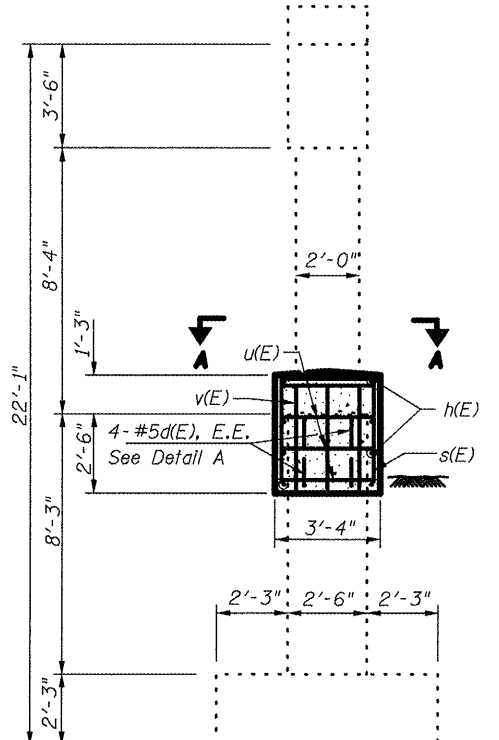


**BAR d(E)**

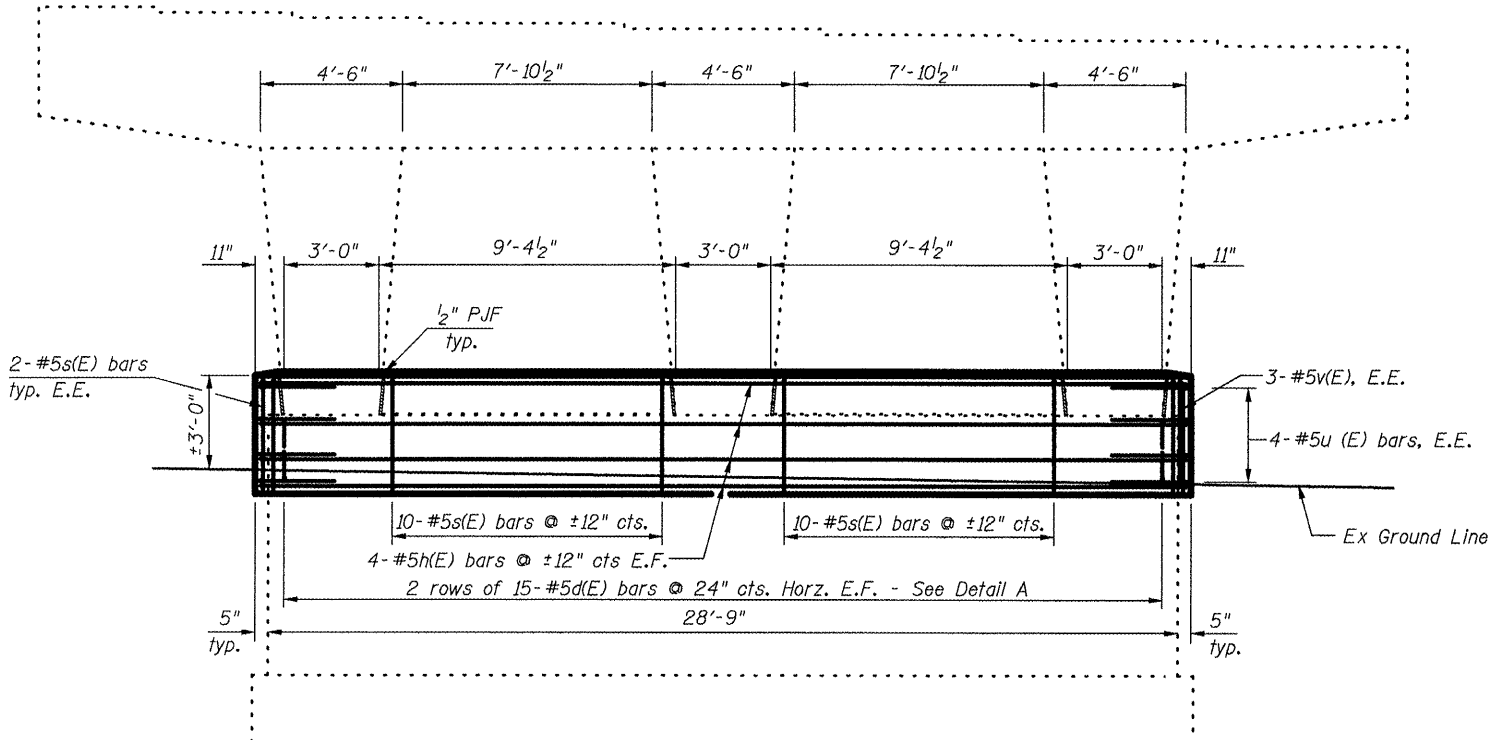


**BAR s(E)**

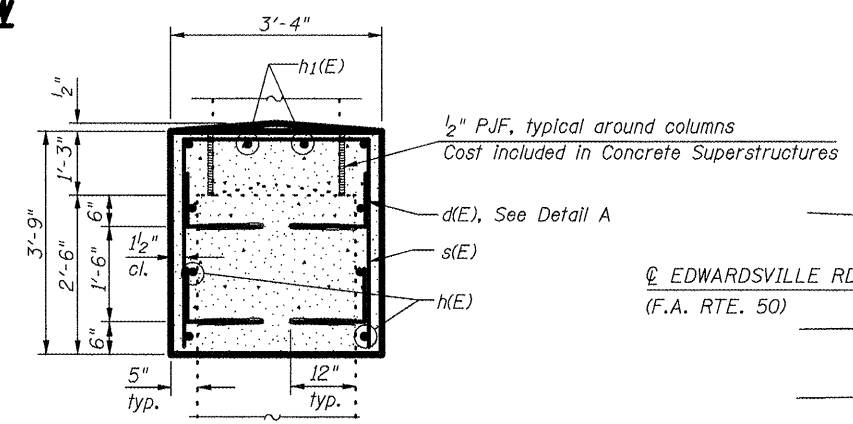
**BAR u(E)**



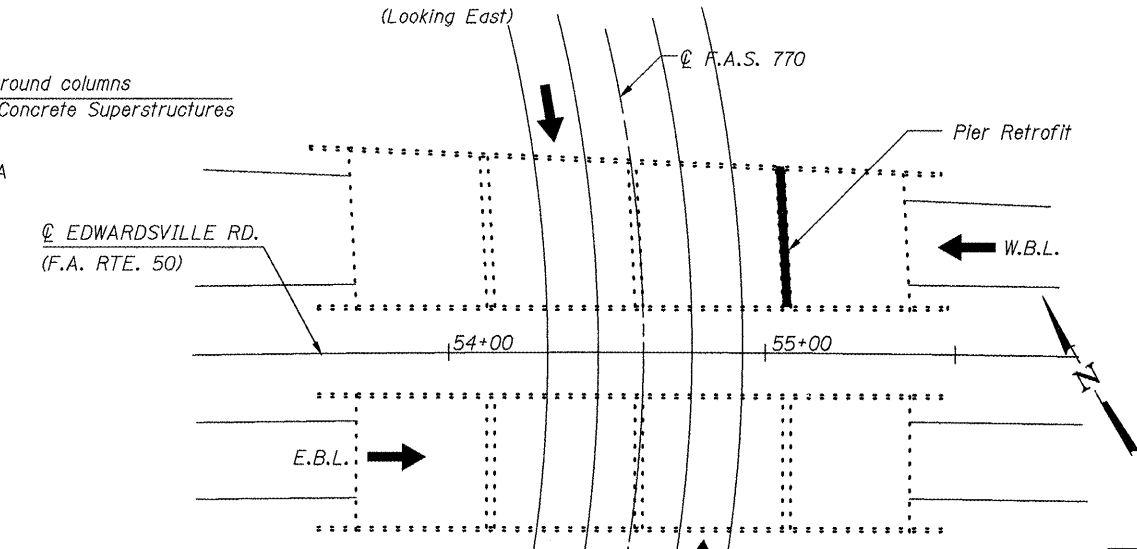
**END VIEW**



**ELEVATION**



**SECTION A-A**



**LOCATION SKETCH**

**BILL OF MATERIALS**

Bar No.	Size	Length	Shape
d(E)	68	#5	2'-1"
h(E)	8	#5	29'-4"
h1(E)	4	#5	8'-9"
s(E)	24	#5	10'-1"
u(E)	8	#5	7'-8"
v(E)	6	#5	3'-6"
Reinforcement Bars, Epoxy Coated			Pounds 770
Concrete Structures			Cu Yd 6.3

**NOTE**  
 Existing surfaces adjacent to new concrete shall be cleaned by sandblasting and all loose or deteriorated concrete shall be removed prior to forming and pouring new concrete. Cost included in Concrete Structures.

**MIN. BAR LAP**

#5 2'-2"

**RETROFIT CONCRETE PIER CRASHWALL  
 F.A. RTE. 50 OVER F.A.S. RTE 770  
 SECTION DISTRICT 8 RESURFACING 2010-5  
 MADISON COUNTY  
 STATION 54+60.95  
 S.N. 060-0191/060-0192**

DESIGNED	DRB
CHECKED	-
DRAWN	THW
CHECKED	-

**ie** consultants  
 IE CONSULTANTS, INC  
 6420 SOUTH SIXTH STREET  
 SPRINGFIELD, ILLINOIS 62712  
 TEL. (217) 529-8027  
 FAX (217) 529-4543  
 IESPRINGFIELD@IE-CONSULTANTS.COM  
 WWW.IE-CONSULTANTS.COM

David Booher, Illinois S.E. 081-004775 Date  
 Expires 11-30-2010

SHEET NO. 4 OF 4 SHEETS	F.A. RTE.	SECTION	COUNTY	TOTAL SHEETS	SHEET NO.
	VARIOUS	DISTRICT 8 RESURFACING 2010-5	MADISON	57	53
CONTRACT NO. 76D83			ILLINOIS FED. AID PROJECT		