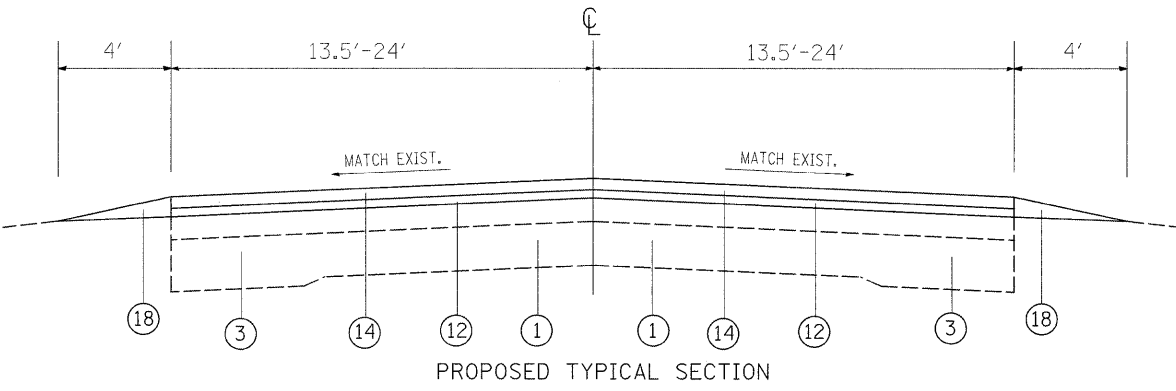


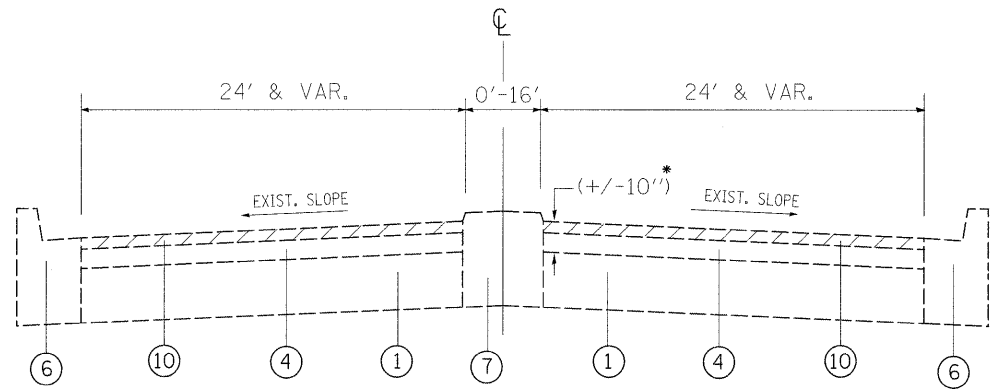
EXISTING TYPICAL SECTION

IL ROUTE 58 (GOLF ROAD)  
 STA. 19+63 TO STA. 43+08  
 STA. 62+01 TO STA. 115+15  
 STA. 118+24 TO STA. 139+60



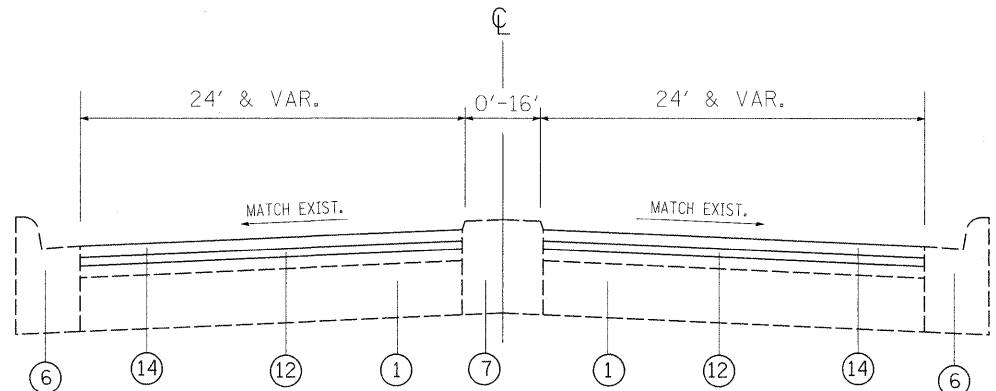
PROPOSED TYPICAL SECTION

IL ROUTE 58 (GOLF ROAD)  
 STA. 19+63 TO STA. 43+08  
 STA. 62+01 TO STA. 115+15  
 STA. 118+24 TO STA. 139+60



EXISTING TYPICAL SECTION

IL ROUTE 58 (GOLF ROAD)  
 STA. 43+08 TO STA. 48+70  
 STA. 139+60 TO STA. 142+72



PROPOSED TYPICAL SECTION

IL ROUTE 58 (GOLF ROAD)  
 STA. 43+08 TO STA. 48+70  
 STA. 139+60 TO STA. 142+72

LEGEND

- ① EXISTING P.C.C. PAVEMENT, 8" (+/-)
  - ② EXISTING P.C.C. PAVEMENT, 11" (+/-)
  - ③ EXISTING P.C.C. WIDENING
  - ④ EXISTING HMA SURFACE COURSE, 10" (+/-)
  - ⑤ EXISTING AGGREGATE SHOULDER
  - ⑥ EXISTING CONCRETED CURB & GUTTER
  - ⑦ EXISTING CONCRETE CORRUGATED MEDIAN
  - ⑧ EXISTING STABILIZED MEDIAN
  - ⑨ PROPOSED HMA SURFACE REMOVAL, 2"
  - ⑩ PROPOSED HMA SURFACE REMOVAL, 2 1/4 "
  - \*\*⑪ PROPOSED PCC SURFACE REMOVAL (VARIABLE DEPTH), 6' WIDE
  - ⑫ PROPOSED POLYMERIZED LEVELING BINDER (MACHINE METHOD), IL-4.75, N50, 3/4 "
  - ⑬ PROPOSED POLYMERIZED LEVELING BINDER (MACHINE METHOD), IL-4.75, N50, 1"
  - ⑭ PROPOSED HMA SURFACE COURSE, MIX "D", N70, 1 1/2 "
  - ⑮ PROPOSED POLYMERIZED HMA SURFACE COURSE, MIX "F", N90, 1 3/4 "
  - ⑯ PROPOSED PARTIAL DEPTH REMOVAL, 3"
  - ⑰ PROPOSED HMA BINDER COURSE, IL-19, N70
  - ⑱ PROPOSED AGGREGATE WEDGE SHOULDER, TYPE B
  - ⑲ PROPOSED CURB CUT
  - ⑳ EXISTING MEDIAN AFTER CURB CUT
  - ㉑ EXISTING CONCRETE MEDIAN SURFACE
  - ㉒ EXISTING TOP SOIL AND SEEDING
  - ㉓ EXISTING SANDFILL OR EARTH FILL
- \* NOTE: CONTRACTOR SHALL MILL FIRST BEFORE PATCHING  
 \*\* NOTE: SEE HMA TAPER AT EDGE OF PCC PAVEMENT DETAIL BD-33

FILE NAME =	USER NAME = shranisb	DESIGNED -	REVISED -	<b>STATE OF ILLINOIS DEPARTMENT OF TRANSPORTATION</b>	<b>EXISTING AND PROPOSED TYPICAL SECTIONS IL 58 (GOLF ROAD)/IL 59 (SUTTON RD.) TO WINDSONG DR.</b>	F.A.P. RTE.	SECTION	COUNTY	TOTAL SHEETS	SHEET NO.
ca:\pwork\pwork\SHRANISB\dms89151\sh...	dwg.dgn	DRAWN -	REVISED -			559	581 RS-2	COOK	26	5
		CHECKED -	REVISED -			CONTRACT NO. 60F36				
		DATE -	REVISED -			SCALE:	SHEET NO. OF SHEETS	STA. TO STA.	FED. ROAD DIST. NO.	ILLINOIS FED. AID PROJECT