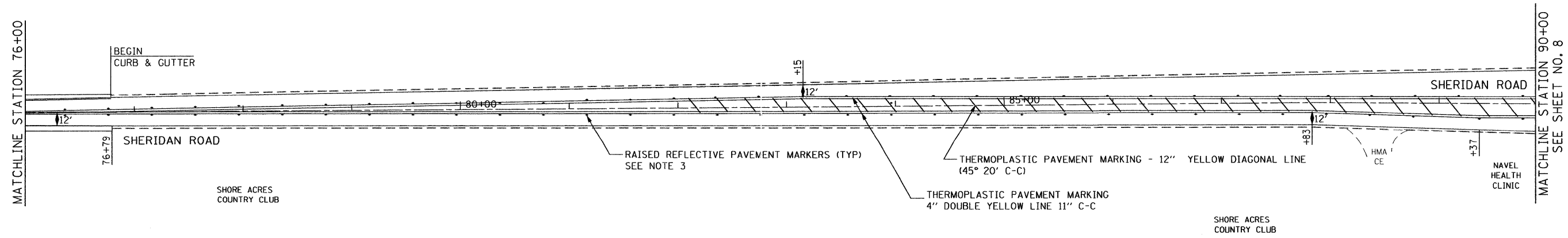


NOTES:

1. THE CONTRACTOR SHALL CONDUCT THE PAVEMENT PATCHING OPERATION PRIOR TO THE BITUMINOUS SURFACE REMOVAL OPERATION. ALL PAVEMENT PATCHING LOCATION WILL BE DETERMINED BY THE RESIDENT ENGINEER.
2. REFER TO DISTRICT 1 TYPICAL PAVEMENT MARKINGS (TC-13) FOR ADDITIONAL INFORMATION.
3. REFER TO DISTRICT 1 RAISED REFLECTIVE PAVEMENT MARKERS (TC-11) FOR ADDITIONAL INFORMATION.
4. THE ENGINEER SHALL CONTACT: DEBBIE HANLON FIELD TECHNICIAN, AT (847) 438-2300 A MINIMUM OF TWO (2) WEEKS PRIOR TO START OF PROJECT FOR PLACEMENT OF PERMANENT PAVEMENT MARKINGS.



P:\2007\ME07080_Ver_Ver_Plan_Cadd\W015_SheridanRd\Shs\Plan-sht-sheridan-03.dgn
 USER NAME: Millennium Engineering



200 22ND Street, Suite 316, Lombard, IL 60148
 630.705.8110 voice, 630.839.2566 fax
 WWW.MPS-IL.COM
MILLENNIA PROFESSIONAL SERVICES

DESIGNED - TVN	REVISED -
DRAWN - TVN	REVISED -
CHECKED - RPD	REVISED -
DATE - 4/16/2009	REVISED -

STATE OF ILLINOIS
DEPARTMENT OF TRANSPORTATION

SHERIDAN ROAD BLODGETT AVE TO IL RTE 137 (BUCKLEY RD)		ROADWAY & PAVEMENT MARKING PLAN	
SCALE: 1"=50'	SHEET NO. OF SHEETS	STA. TO STA.	

F.A.U. RTE. 2744	SECTION (113 & 113 W) RS-10	COUNTY LAKE	TOTAL SHEETS 18	SHEET NO. 7
CONTRACT NO. 60H08				

PLN-03