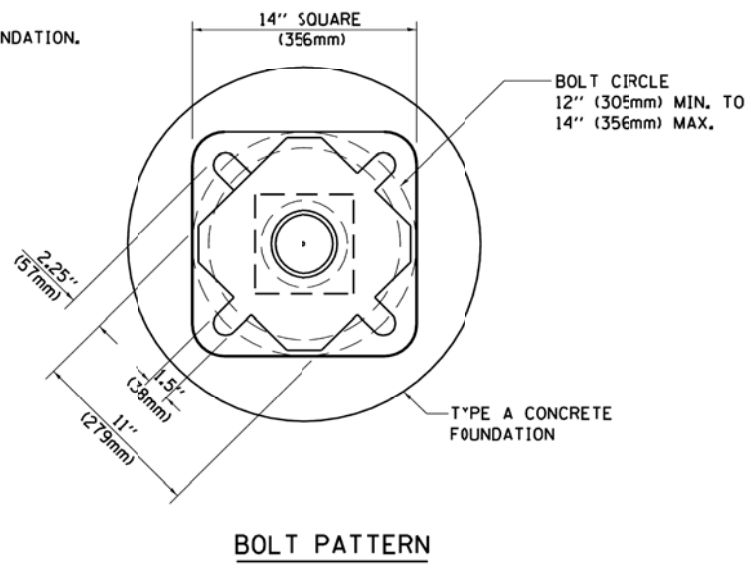


SIGN TABLE

SIGN	DIMENSIONS
R10-3b	9" (228mm) X 12" (305mm)
R10-3d	9" (228mm) X 12" (305mm)
R10-3e	9" (228mm) X 15" (381mm)



FILE NAME = K:\Projects\090059\Design\Sheet Files\DDT DETAIL.7r.dgn	USER NAME = *USER*	DESIGNED - DW	REVISED -
		DRAWN - JDH	REVISED -
	PLOT SCALE = *SCALE*	CHECKED - KMM	REVISED -
	PLOT DATE = 12/6/2012	DATE -	REVISED -

STATE OF ILLINOIS  
 DEPARTMENT OF TRANSPORTATION

DISTRICT ONE - PEDESTRIAN PUSH BUTTON POST, TYPE A  
 SCALE: N.T.S. SHEET NO. 1 OF 1 SHEETS STA. TO STA.

F.A. RTE.	SECTION	COUNTY	TOTAL SHEETS	SHEET NO.
338	(112 & 113) WRS-6	DUPAGE	734	388
<b>TS- 8</b>			CONTRACT NO. 60R31	
ILLINOIS FED. AID PROJECT				