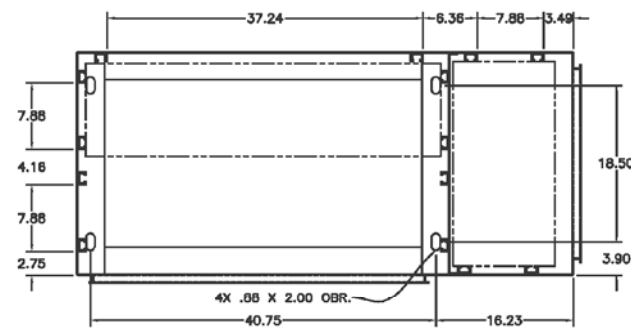
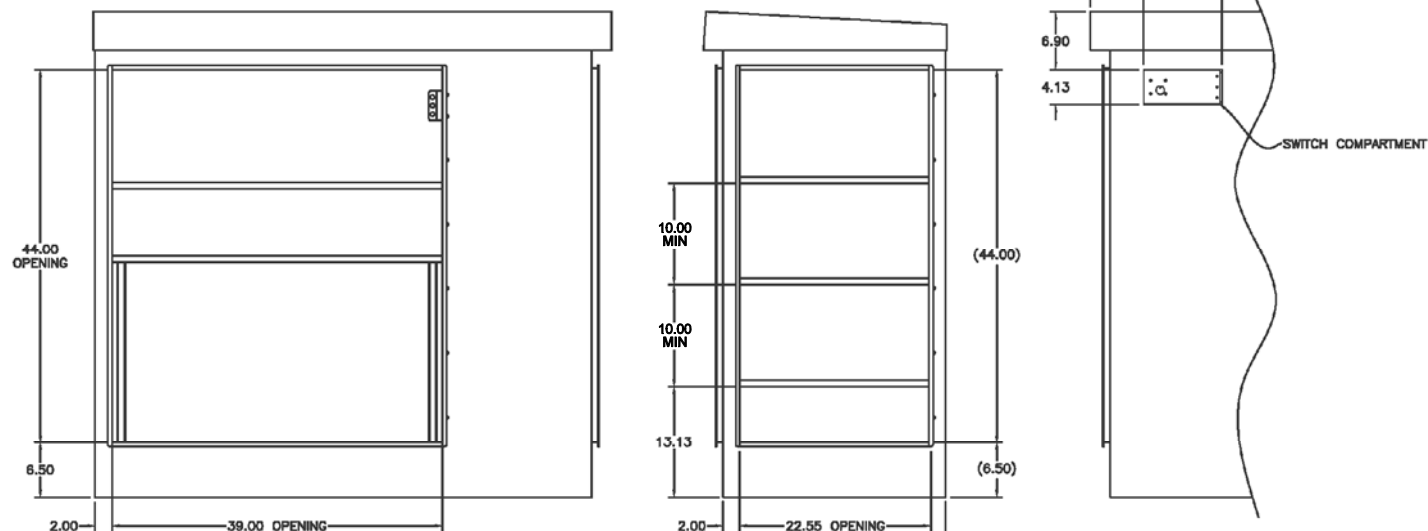


FRONT VIEW

SIDE VIEW



SECTION A-A  
DOORS REMOVED FOR CLARITY



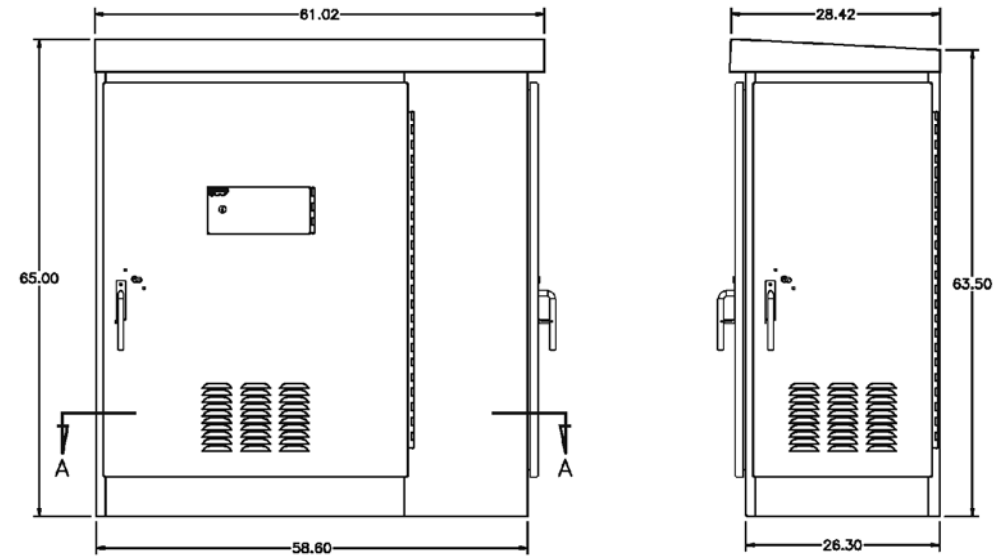
FRONT VIEW  
LESS DOOR

SIDE VIEW  
LESS DOOR

REAR VIEW  
PARTIAL

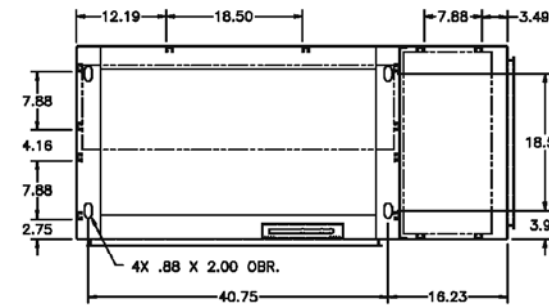
**SUPER P TRAFFIC SIGNAL CABINET, TYPE IV, SPECIAL**

58.6" W x 57.4" H x 26.3" D  
(DIMENSIONS SHOWN IN INCHES)

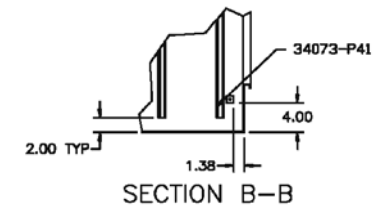


FRONT VIEW

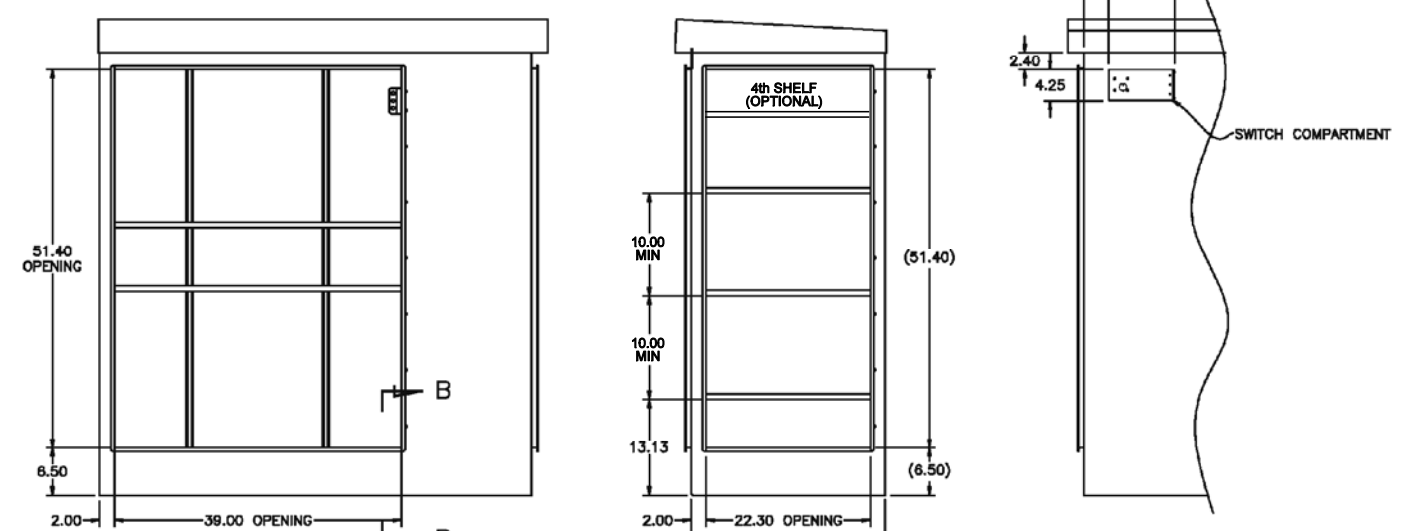
SIDE VIEW



DOORS REMOVED FOR CLARITY  
SECTION A-A



SECTION B-B



FRONT VIEW  
LESS DOOR

SIDE VIEW  
LESS DOOR

REAR VIEW  
PARTIAL

**SUPER R TRAFFIC SIGNAL CABINET, TYPE V, SPECIAL**

58.6" W x 65.0" H x 26.3" D  
(DIMENSIONS SHOWN IN INCHES)

FILE NAME =	USER NAME = #USER*	DESIGNED <i>PJO</i>	REVISED -
#FILEL#		DRAWN <i>KES</i>	REVISED -
	PLOT SCALE = #SCALE*	CHECKED <i>JCM</i>	REVISED -
	PLOT DATE = #DATE*	DATE <i>08/31/2012</i>	REVISED -

**STATE OF ILLINOIS  
DEPARTMENT OF TRANSPORTATION**

**TRAFFIC SIGNAL CABINET DETAILS  
ILLINOIS ROUTE 59**

SCALE: NTS SHEET NO. 1 OF 1 SHEETS STA. TO STA.

F.A.P. RTE.	SECTION	COUNTY	TOTAL SHEETS	SHEET NO.
338	(112 & 113) WRS-6	DUPAGE	734	419
<b>TS-39</b>		CONTRACT NO. 60R31		
ILLINOIS FED. AID PROJECT				