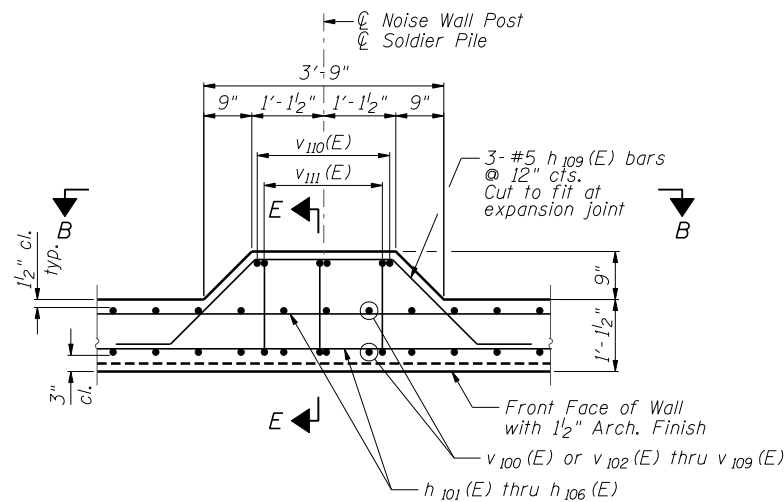
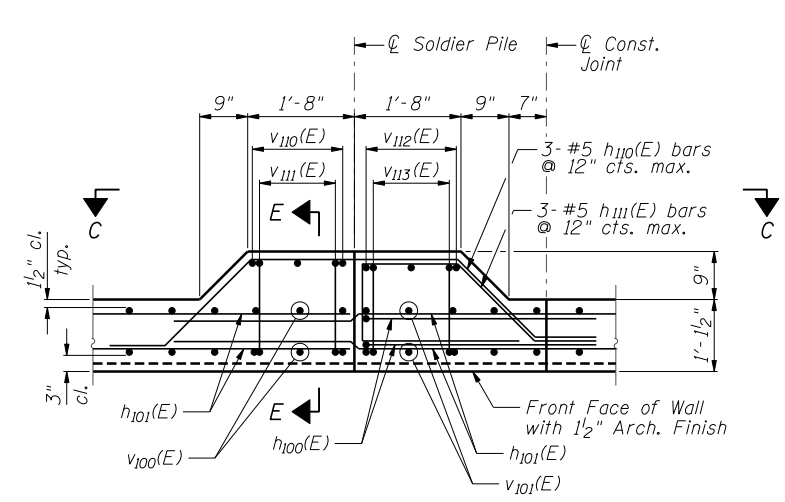


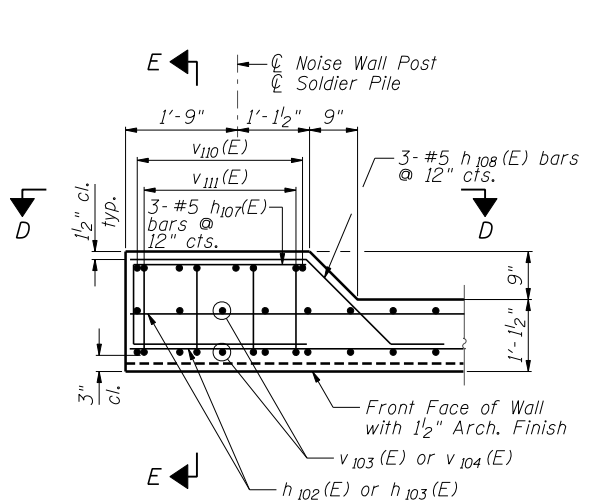
PLAN PILASTER A
(2 Locations)



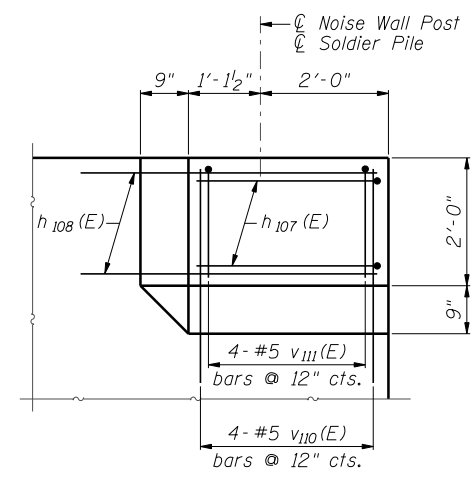
PLAN PILASTER B
(18 Locations)



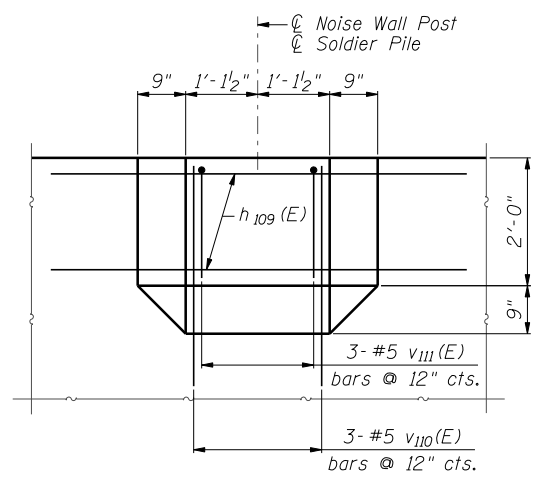
PLAN PILASTER C
(1 Location)



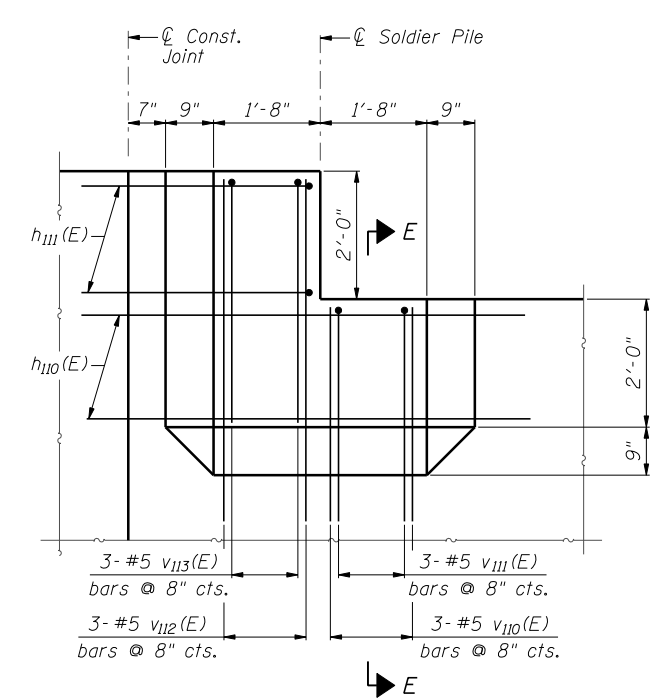
PLAN PILASTER D
(2 Locations)



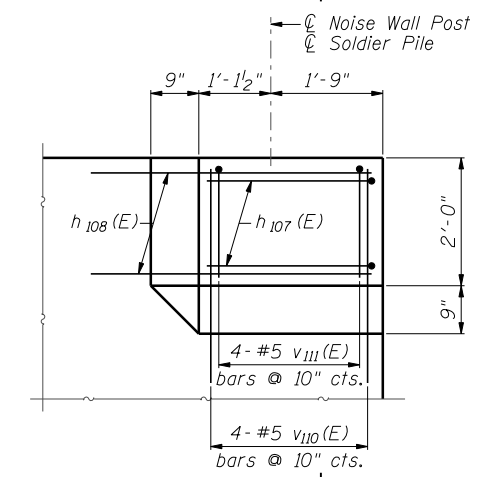
SECTION A-A



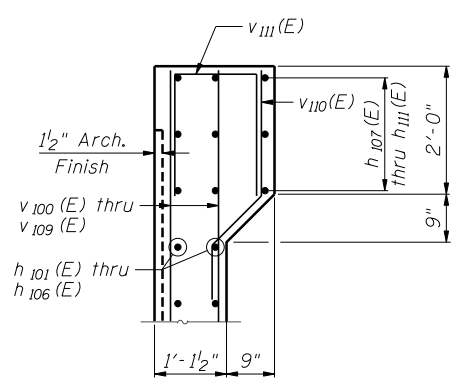
SECTION B-B



SECTION C-C



SECTION D-D



SECTION E-E

Notes:
See Sheet SA-7 for Bill of Material.
See Sheets SA-6 and SA-7 for Pilaster Spacing.

FILE NAME = ...60R31-W048-008-PilasterDetails.dgn



DESIGNED - LAS	REVISED -
CHECKED - DAZ	REVISED -
DRAWN - SAW	REVISED -
CHECKED - LAS	REVISED -

SCALE - NONE	DATE - 12/14/2012
--------------	-------------------

STATE OF ILLINOIS
DEPARTMENT OF TRANSPORTATION

PILASTER DETAILS
STA. 3989+40.25 TO STA. 3991+85.47 SN 022-W048

SHEET NO. SA-8 OF SA-10 SHEETS

F.A.P. RTE.	SECTION	COUNTY	TOTAL SHEETS	SHEET NO.
338	(112 & 113) WRS-6	DUPAGE	734	496
CONTRACT NO. 60R31				

ILLINOIS FED. AID PROJECT