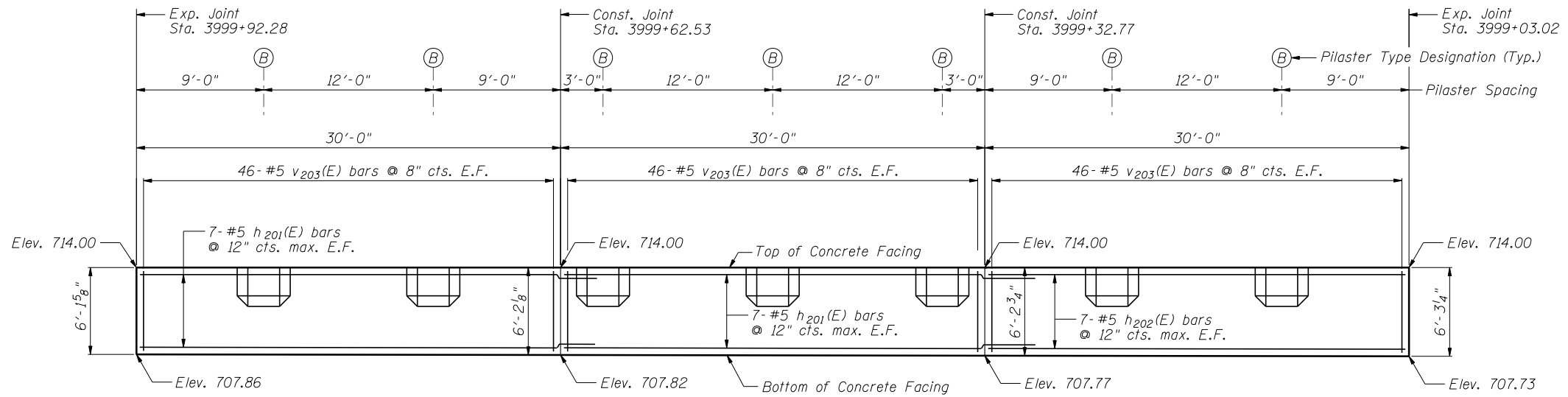


**ELEVATION**



**ELEVATION**

**Notes:**

Minimum lap for #5 bar is 3'-8".

Space reinforcement in wall to miss shear studs.

\* signifies cut bar. Order per length on Bill of Material. Cut as shown in Cutting Diagram and use half of bars in each face.

See Sheet SB-7 for Concrete Facing Details and Bill of Material.

For pilaster reinforcement and details, see Sheet SB-8.

FILE NAME = ...60R31-W049-006-ConcreteFacing.dgn



Zroka Engineering, P.C.  
4216 North Hermitage  
Chicago, IL 60613

DESIGNED - JLA	REVISED -
CHECKED - LAS	REVISED -
DRAWN - SAW	REVISED -
CHECKED - JLA	REVISED -
SCALE - NONE	
DATE - 12/14/2012	

**STATE OF ILLINOIS  
DEPARTMENT OF TRANSPORTATION**

**CONCRETE FACING**  
**STA. 3998 + 14.82 TO STA. 4000 + 80.06 SN 022-W049**

SHEET NO. SB-6 OF SB-10 SHEETS

F.A.P. RTE.	SECTION	COUNTY	TOTAL SHEETS	SHEET NO.
338	(112 & 113) WRS-6	DUPAGE	734	504
CONTRACT NO. 60R31				
ILLINOIS FED. AID PROJECT				