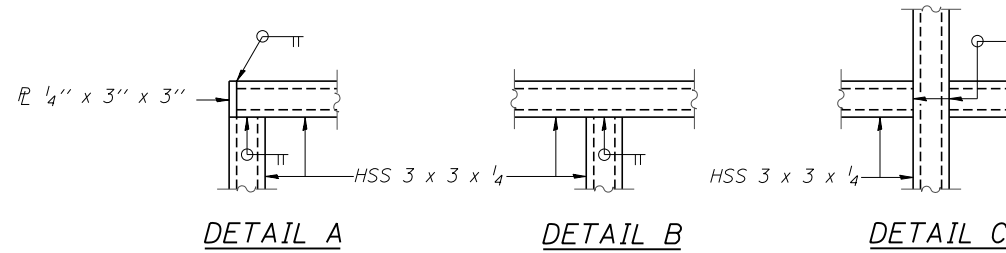
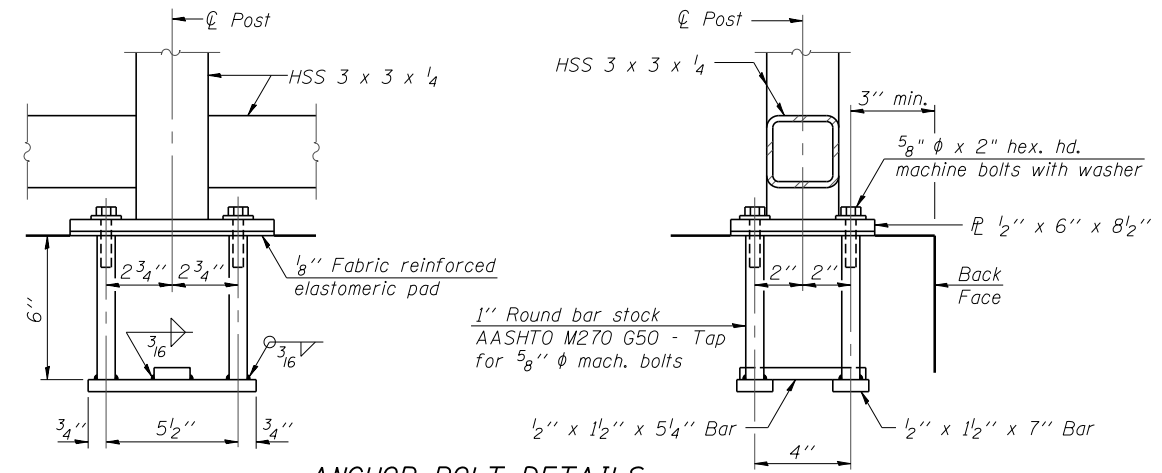
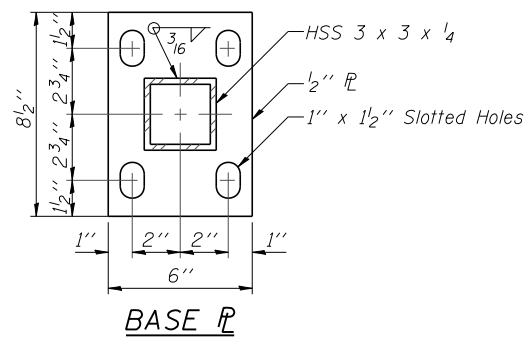


**PARAPET RAILING
ELEVATION**
(Inside Face of Three Element Rail)

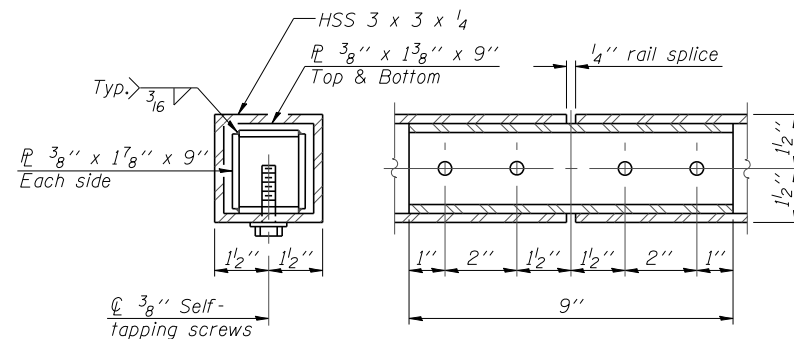


All steel rail elements shall be galvanized according to Article 509.05 of the Standard Specifications.



ANCHOR BOLT DETAILS

In lieu of the cast-in-place anchor device shown, the Contractor has the option of drilling and setting 5/8" phi anchor rods according to Article 509.06 of the Standard Specifications. Embedment shall be according to the manufacturer's specifications.



RAIL SPLICE

BILL OF MATERIAL

Item	Unit	Quantity
Parapet Railing	Foot	376

FILE NAME = ...60R31-W054-007-ParapetRail.mpg.dgn



Zroka Engineering, P.C.
4216 North Hermitage
Chicago, IL 60613

DESIGNED - LAS	REVISED -
CHECKED - DAZ	REVISED -
DRAWN - SAW	REVISED -
CHECKED - LAS	REVISED -

**STATE OF ILLINOIS
DEPARTMENT OF TRANSPORTATION**

**PARAPET RAILING
STA. 4035 + 96.64 TO STA. 4039 + 75.26 SN 022-W054**

SHEET NO. SE-7 OF SE-8 SHEETS

F.A.P. RTE.	SECTION	COUNTY	TOTAL SHEETS	SHEET NO.
338	(112 & 113) WRS-6	DUPAGE	734	537
CONTRACT NO. 60R31				

ILLINOIS FED. AID PROJECT