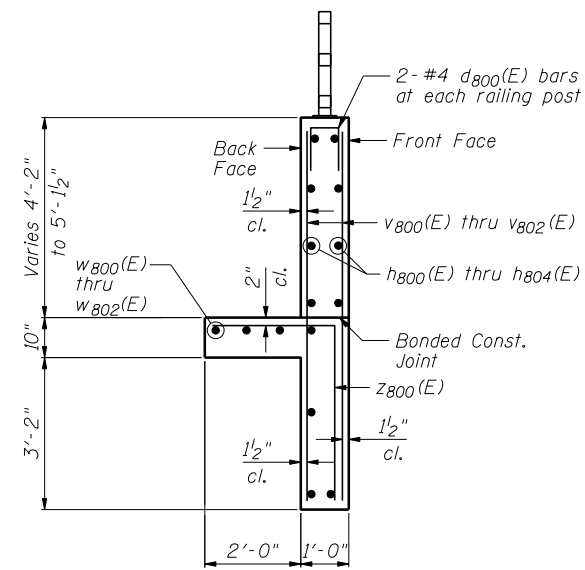
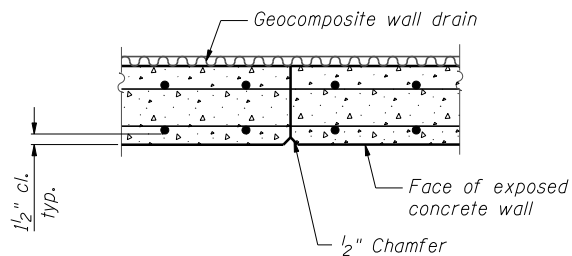


Note:
Granular Backfill for Structures shall be compacted.

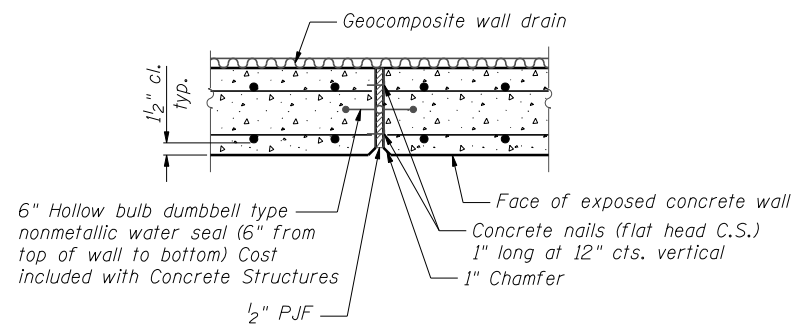
TYPICAL SECTION
Sta. 4028+60.03 to Sta. 4030+44.81



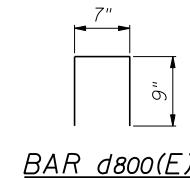
SECTION A-A
Maximum Soil Bearing Pressure = 1,670 psf



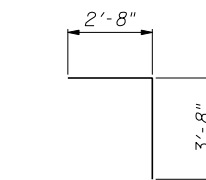
CONSTRUCTION JOINT DETAIL



EXPANSION JOINT DETAIL



BAR d800(E)



BAR z800(E)

BILL OF MATERIAL

Bar	No.	Size	Length	Shape
d ₈₀₀ (E)	46	#4	2'-1"	□
h ₈₀₀ (E)	24	#4	25'-6"	—
h ₈₀₁ (E)	12	#4	22'-3"	—
h ₈₀₂ (E)	60	#4	30'-2"	—
h ₈₀₃ (E)	12	#4	26'-11"	—
h ₈₀₄ (E)	18	#4	27'-3"	—
v ₈₀₀ (E)	96	#4	8'-6"	—
v ₈₀₁ (E)	112	#4	8'-3"	—
v ₈₀₂ (E)	170	#4	7'-10"	—
w ₈₀₀ (E)	8	#5	26'-3"	—
w ₈₀₁ (E)	16	#5	31'-0"	—
w ₈₀₂ (E)	4	#5	27'-3"	—
z ₈₀₀ (E)	189	#4	6'-4"	└
Item		Unit	Quantity	
Concrete Structures		Cu. Yd.	69.4	
Reinforcement Bars, Epoxy Coated		Pound	6,110	
Geocomposite Wall Drain		Sq. Yd.	43	
Granular Backfill for Structures		Cu. Yd.	29	

FILE NAME = ...60R31-W060-004-Details.dgn

DESIGNED - LAS	REVISED -
CHECKED - DAZ	REVISED -
DRAWN - SAW	REVISED -
CHECKED - LAS	REVISED -

F.A.P. RTE.	SECTION	COUNTY	TOTAL SHEETS	SHEET NO.
338	(112 & 113) WRS-6	DUPAGE	734	555
CONTRACT NO. 60R31				