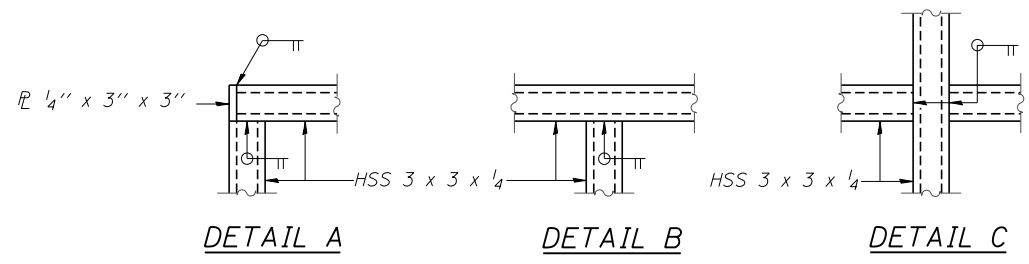
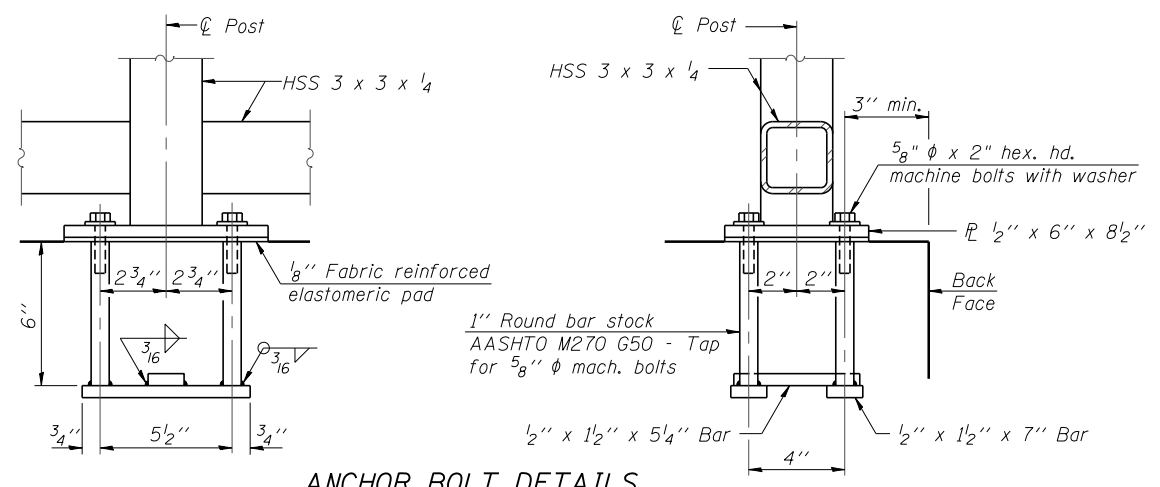
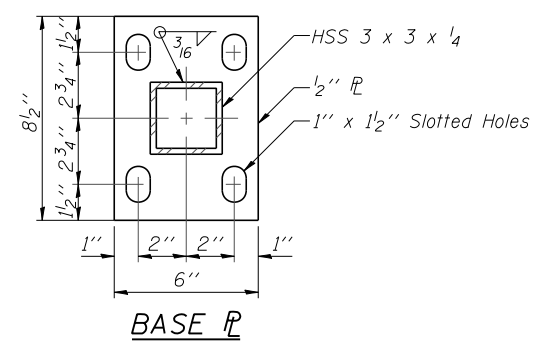


**PARAPET RAILING
ELEVATION**
(Inside Face of Three Element Rail)

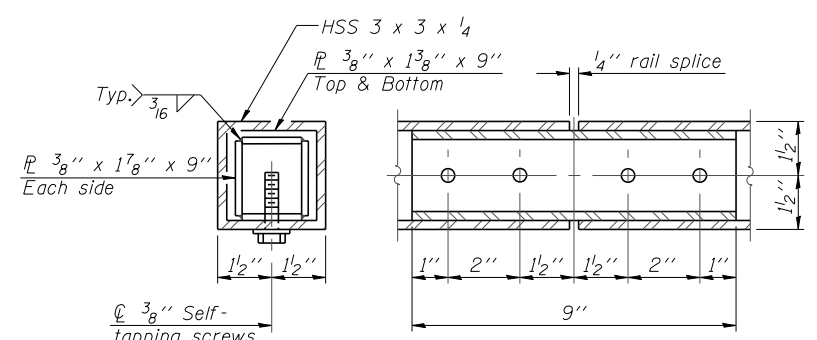


All steel rail elements shall be galvanized according to Article 509.05 of the Standard Specifications.



ANCHOR BOLT DETAILS

In lieu of the cast-in-place anchor device shown, the Contractor has the option of drilling and setting 5/8" anchor rods according to Article 509.06 of the Standard Specifications. Embedment shall be according to the manufacturer's specifications.



RAIL SPLICE

BILL OF MATERIAL

Item	Unit	Quantity
Parapet Railing	Foot	182

FILE NAME = ...60R31-W060-005-ParapetRailing.dgn

ZROKA engineering
Zroka Engineering, P.C.
4216 North Hermitage
Chicago, IL 60613

DESIGNED - LAS	REVISIONS
CHECKED - DAZ	REVISIONS
DRAWN - SAW	REVISIONS
CHECKED - LAS	REVISIONS

SCALE - NONE
DATE - 12/14/2012

**STATE OF ILLINOIS
DEPARTMENT OF TRANSPORTATION**

PARAPET RAILING
STA. 4028 + 60.03 TO STA. 4030 + 44.81 SN 022-W060

SHEET NO. SH-5 OF SH-6 SHEETS

F.A.P. RTE.	SECTION	COUNTY	TOTAL SHEETS	SHEET NO.
338	(112 & 113) WRS-6	DUPAGE	734	556
CONTRACT NO. 60R31				
ILLINOIS FED. AID PROJECT				