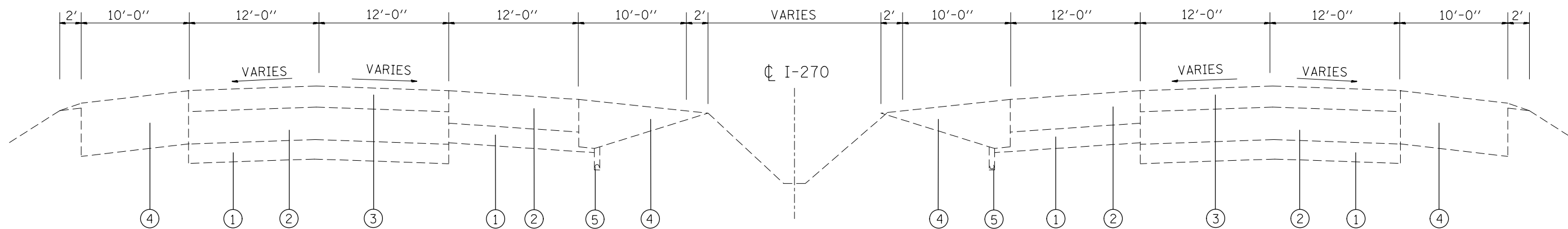


EXISTING TYPICAL SECTION

EASTBOUND
 STA. 406+00 TO STA. 448+88
 STA. 489+37 TO STA. 515+61

WESTBOUND
 STA. 408+00 TO STA. 443+47
 STA. 463+76 TO STA. 469+30
 STA. 486+56 TO STA. 492+38



EXISTING TYPICAL SECTION

EASTBOUND
 STA. 448+88 TO STA. 489+37

WESTBOUND
 STA. 443+47 TO STA. 463+76
 STA. 469+30 TO STA. 486+56
 STA. 492+38 TO STA. 515+66

LEGEND

- ① EXISTING SUB-BASE GRANULAR MATERIAL
- ② EXISTING PCC PAVEMENT, 10"
- ③ EXISTING HOT-MIX ASPHALT OVERLAY
- ④ EXISTING HOT-MIX ASPHALT SHOULDER
- ⑤ EXISTING UNDERDRAIN
- ⑥ PROPOSED MICRO-SURFACING, SINGLE PASS,
TYPE II, MIX E
- ⑦ PROPOSED ULTRA-THIN HMA SURFACE COURSE, 1/2"
- ⑧ PROPOSED RAPID SETTING POLYMER MODIFIED EMULSION
- ⑨ PROPOSED THERMOPLASTIC PAVEMENT MARKING

FILE NAME =	USER NAME = burnsideem	DESIGNED -	REVISED -
et:\pw\work\p\dot\burnsideem\d0298717\d076f86-sht-plan.dgn		DRAWN -	REVISED -
	PLOT SCALE = 100.0000' / 1in.	CHECKED -	REVISED -
	PLOT DATE = 3/22/2013	DATE -	REVISED -

STATE OF ILLINOIS
 DEPARTMENT OF TRANSPORTATION

TYPICAL SECTIONS

SCALE: SHEET NO. OF SHEETS STA. TO STA.

F.A.I. RTE.	SECTION	COUNTY	TOTAL SHEETS	SHEET NO.
270	60-(4,5)-1RS-4	MADISON	42	6
CONTRACT NO. 76F86				
FED. ROAD DIST. NO. ILLINOIS FED. AID PROJECT				