

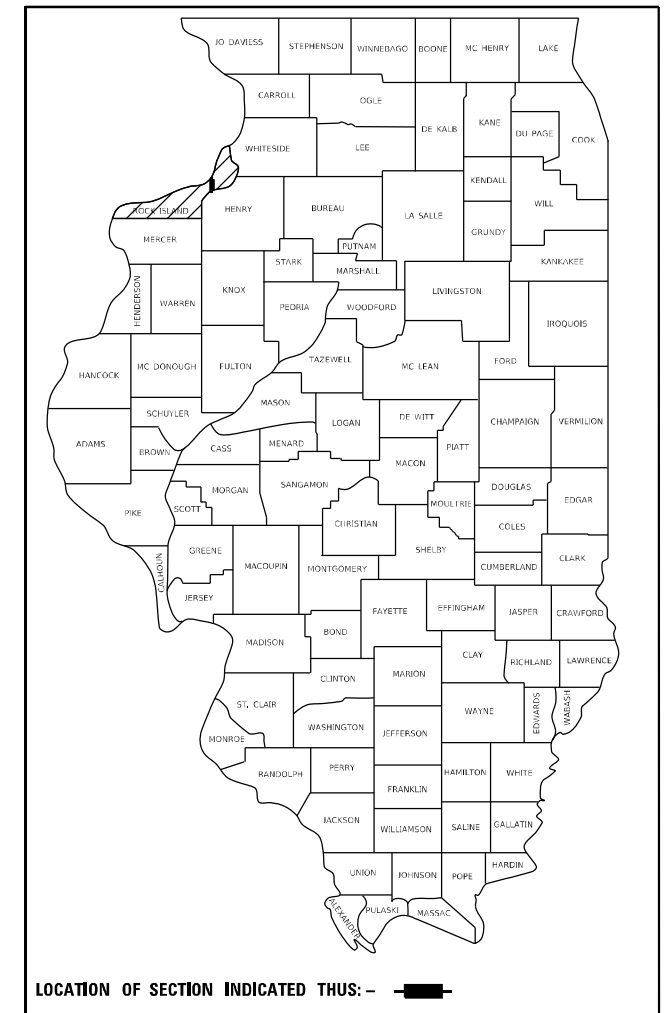
STATE OF ILLINOIS
DEPARTMENT OF TRANSPORTATION

F.A. RTE.	SECTION	COUNTY	TOTAL SHEETS	SHEET NO.
80	(81-1) CJS	ROCK ISLAND	9	1
		ILLINOIS	CONTRACT NO. 64R09	

PROPOSED HIGHWAY PLANS

F.A.I. ROUTE 80 (I-80)
SECTION (81-1)CJS
PROJECT NHPP-DI60(536)
.08 Mi N TO 1 Mi S OF IL 5/IL 92/I 88 INTERCHANGE
CRACK AND JOINT SEALING
ROCK ISLAND COUNTY

D-92-051-21

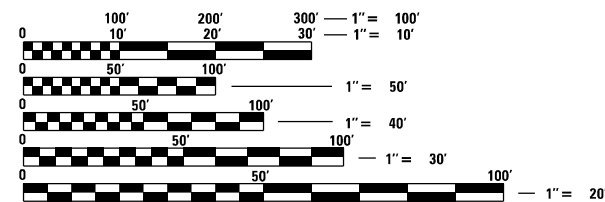


HAMPTON TOWNSHIP-SECTIONS 23,26

IMPROVEMENT BEGINS
EB STA. 177 + 75
WB STA. 177 + 70

I-88 BRIDGE OMISSION
EB STA. 216 + 24 - 219 + 68
WB STA. 215 + 95 - 219 + 42

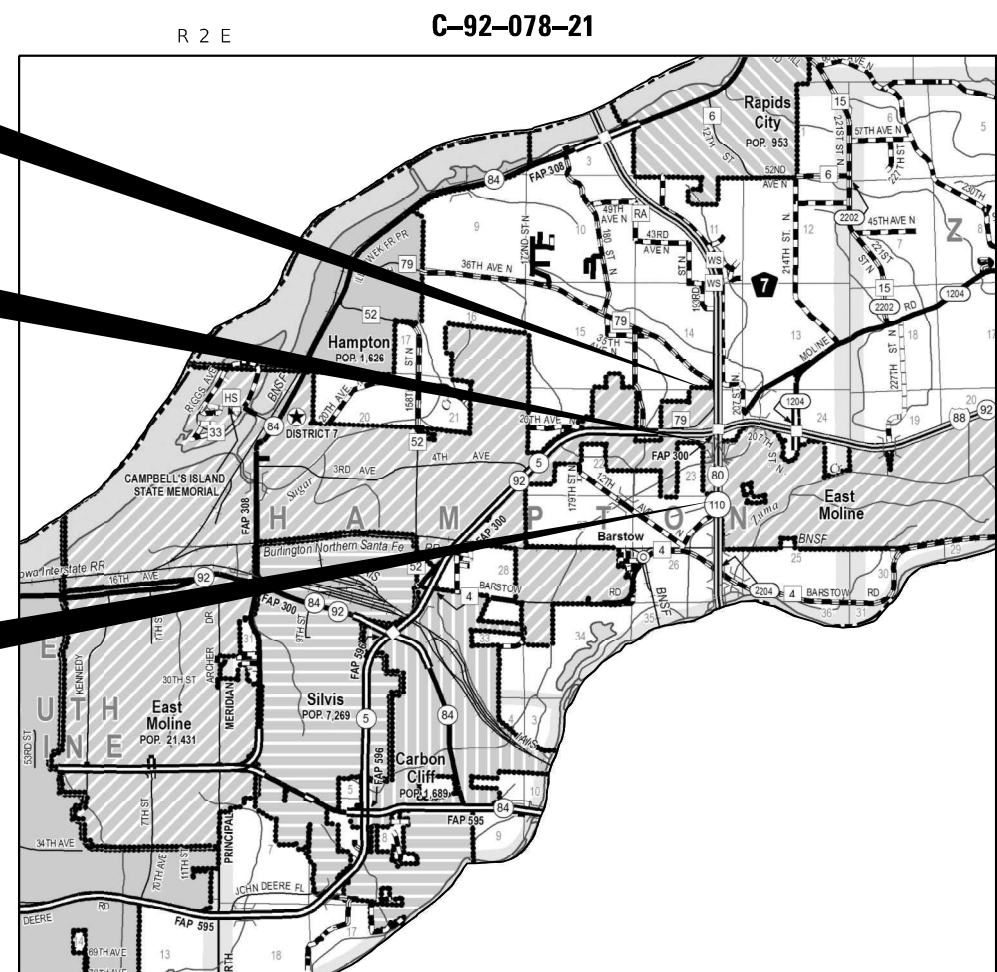
IMPROVEMENT ENDS
EB STA. 272 + 00
WB STA. 272 + 00



FULL SIZE PLANS HAVE BEEN PREPARED USING STANDARD ENGINEERING SCALES, REDUCED SIZED PLANS WILL NOT CONFORM TO STANDARD SCALES. IN MAKING MEASUREMENTS ON REDUCED PLANS, THE ABOVE SCALES MAY BE USED.

J.U.L.I.E.
JOINT UTILITY LOCATION INFORMATION FOR EXCAVATORS
1-800-892-0123
OR 811

PROJECT ENGINEER: FAITH DUNCAN
PROJECT MANAGER: BRAD CUSHMAN (815)-284-5996
EMAIL: Brad.Cushman@Illinois.gov
CONTRACT NO. 64R09



GROSS LENGTH = EB 9425 FT = 1.79 MILE
WB 9430 FT = 1.79 MILE
NET LENGTH = EB 9081 FT = 1.72 MILE
WB 9081 FT 1.72 MILE



STATE OF ILLINOIS
DEPARTMENT OF TRANSPORTATION

SUBMITTED 03/10 2021

[Signature]
REGIONAL ENGINEER

May 7, 2021
[Signature]
ENGINEER OF DESIGN AND ENVIRONMENT

May 7, 2021
[Signature]
DIRECTOR OF HIGHWAYS PROJECT IMPLEMENTATION

PRINTED BY THE AUTHORITY
OF THE STATE OF ILLINOIS

INDEX OF SHEETS

PAGE	SHEET
1	COVER SHEET
2	INDEX OF SHEETS, HIGHWAY STANDARDS & GENERAL NOTES
3	SUMMARY OF QUANTITIES
4	TYPICAL SECTIONS
5	SCHEDULE OF QUANTITIES
6	DETAIL FOR ROUTE AND SEALING OF CRACKS
7-9	TYPICAL PAVEMENT MARKINGS (DIST STD 41.1)

GENERAL NOTES

Pavement Marking shall be done according to Standard 780001, except as follows:

1. All words, such as ONLY, shall be 8 feet high.
2. All non-freeway arrows shall be the large size.
3. The distance between yellow no-passing lines shall be 8 inches, not 7 inches, as shown in the detail of Typical Lane and Edge Lines.
4. Centerline Skip Dash Pavement Marking on multi-lane divided, multi-lane undivided, and one-way roadway shall be according to District Standard 41.1.

HIGHWAY STANDARDS

000001-08	STANDARD SYMBOLS, ABBREVIATIONS, AND PATTERNS
001006	DECIMAL OF AN INCH AND OF A FOOT
701011-04	OFF-ROAD MOVING OPERATIONS, 2L, 2W, DAY ONLY
701106-02	OFF-ROAD OPERATIONS, MULTILANE, MORE THAN 15' (4.5 M) AWAY
701201-05	LANE CLOSURE, 2L, 2W, DAY ONLY, FOR SPEEDS ≥ 45 MPH
701400-10	APPROACH TO LANE CLOSURE, FREEWAY/EXPRESSWAY
701406-12	LANE CLOSURE, FREEWAY/EXPRESSWAY, DAY OPERATIONS ONLY
701411-09	LANE CLOSURE, MULTILANE, AT ENTRANCE OR EXIT RAMP, FOR SPEEDS ≥ 45 MPH
701421-08	LANE CLOSURE, MULTILANE, INTERMITTENT OR MOVING OPER., FOR SPEEDS ≥ 45 MPH
701426-09	TRAFFIC CONTROL SETUP AND REMOVAL FREEWAY/EXPRESSWAY
701901-08	TRAFFIC CONTROL DEVICES
720011-01	METAL POSTS FOR SIGNS, MARKERS & DELINEATORS
729001-01	APPLICATIONS OF TYPES A & B METAL POSTS (FOR SIGNS & MARKERS)
780001-05	TYPICAL PAVEMENT MARKINGS

FILE NAME = 64R09.GN.DOCX	USER NAME =	DESIGNED - Engineering Systems	REVISED -	STATE OF ILLINOIS DEPARTMENT OF TRANSPORTATION	INDEX OF SHEETS, HIGHWAY STANDARDS & GENERAL NOTES		SECTION	COUNTY	TOTAL SHEETS	SHEET NO.	
	PLOT SCALE =	DRAWN -	REVISED -				FAI 80	(81-1)CJS	Rock Island	9	2
	PLOT DATE = 3/10/2021 6:58 AM	CHECKED -	REVISED -		SCALE:	SHEET NO.	OF SHEETS	STA.	TO STA.	ILLINOIS	FED. AID PROJECT
		DATE - 3/9/2021 1:30 PM	REVISED -								

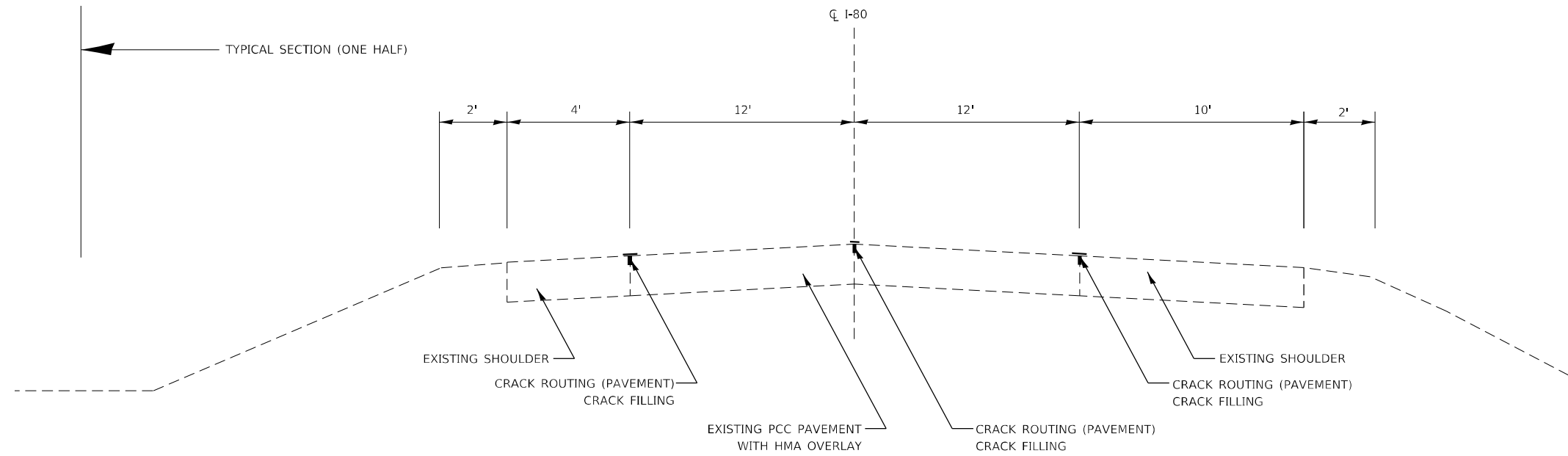
MODEL: Default
 FILE NAME: p:\planningroom\dot\illinois\dot\pww\dot\Documents\DOT_Offices\District 2\Projects\61809\program_Developments\Studies & Plans\Design\CADD\CAD\Sheet\02-64R09-500_Typicals_Detail_Gen_Notes.dgn

CODE NUMBER	ITEM	UNIT	URBAN	RURAL - ROCK ISLAND
				0005
			NHPP 90% FEDERAL 10% STATE	
45100100	CRACK ROUTING (PAVEMENT)	FOOT		93,342
45100200	CRACK FILLING	POUND		35,772.5
67100100	MOBILIZATION	L SUM		1
70100420	TRAFFIC CONTROL AND PROTECTION, STANDARD 701411	EACH		8
70100700	TRAFFIC CONTROL AND PROTECTION, STANDARD 701406	L SUM		1
70107025	CHANGEABLE MESSAGE SIGN	CAL DA		29
* 78000200	THERMOPLASTIC PAVEMENT MARKING - LINE 4"	FOOT		37,710
* 78000400	THERMOPLASTIC PAVEMENT MARKING - LINE 6"	FOOT		5,041
* 78000500	THERMOPLASTIC PAVEMENT MARKING - LINE 8"	FOOT		4,199

* SPECIALTY ITEMS

USER NAME = vocknc	DESIGNED -	REVISED -	STATE OF ILLINOIS DEPARTMENT OF TRANSPORTATION	SUMMARY OF QUANTITIES				F.A.I RTE.	SECTION	COUNTY	TOTAL SHEETS	SHEET NO.
PLOT SCALE = 100,0000' / in.	DRAWN -	REVISED -						80	(81-1) C/S	ROCK ISLAND	9	3
PLOT DATE = 3/11/2021	CHECKED -	REVISED -		SCALE:	SHEET	OF	SHEETS	STA.	TO STA.	CONTRACT NO. 64R09		
	DATE -	REVISED -								ILLINOIS FED. AID PROJECT		

STA EB 177+75 TO STA 272+00
 STA WB 177+70 TO STA 272+00



MODEL: Default
 FILE NAME: p:\u0000\m00000.dwg
 I:\projects\1809\program_development\studies & plans\design\CADD\Caddsheet\1809-500_Typicals_Detail_Con_Mates.dgn

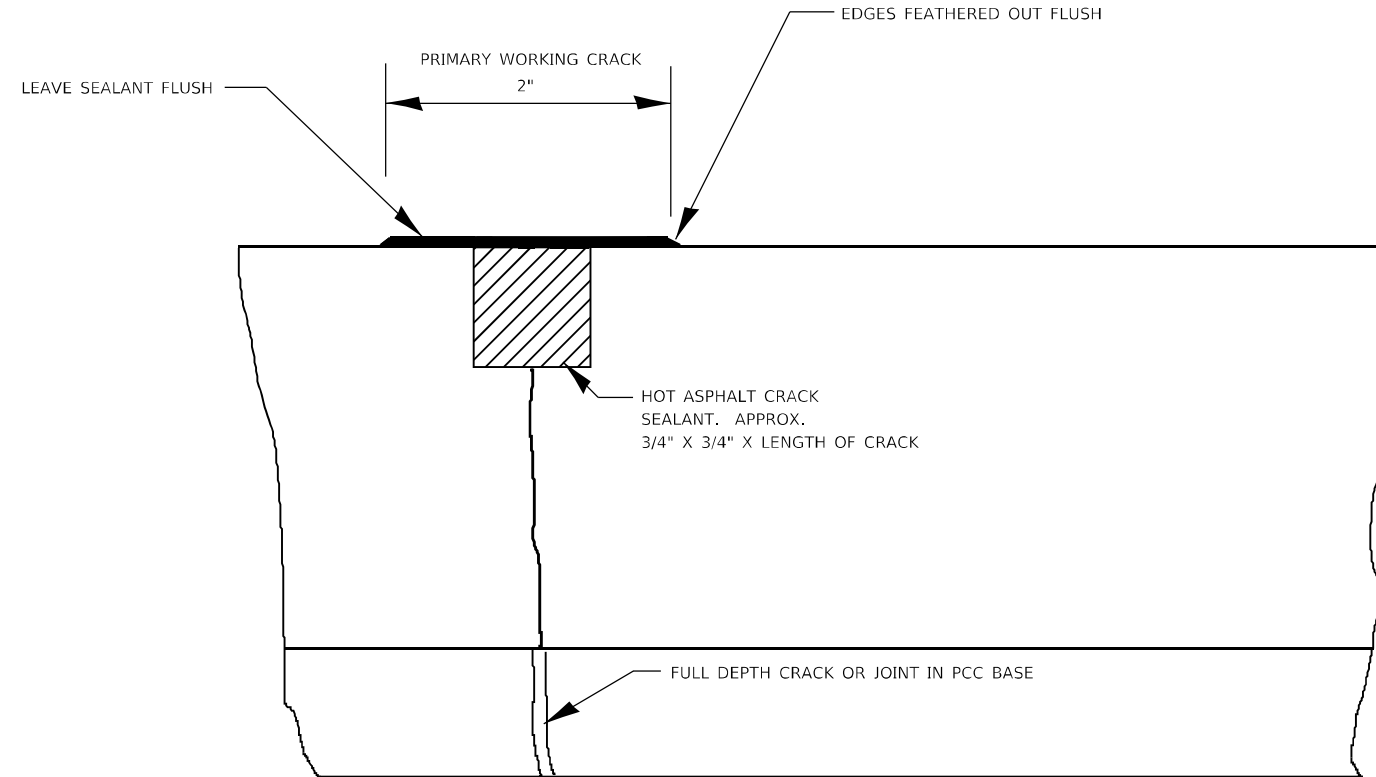
USER NAME = vocknc	DESIGNED -	REVISED -
	DRAWN -	REVISED -
PLOT SCALE = 100,0000' / in.	CHECKED -	REVISED -
PLOT DATE = 3/10/2021	DATE -	REVISED -

**STATE OF ILLINOIS
 DEPARTMENT OF TRANSPORTATION**

TYPICAL SECTION		SCALE:	SHEET	OF	SHEETS	STA.	TO	STA.

F.A. RTE.	SECTION	COUNTY	TOTAL SHEETS	SHEET NO.
80	(81-1) C/S	ROCK ISLAND	9	4
CONTRACT NO. 64R09				
ILLINOIS FED. AID PROJECT				

DETAIL FOR ROUTE AND SEALING OF CRACKS



MODEL: Default
 FILE NAME: p:\pub\harronm.dwt\illinois.gov\PWIDOT\Documents\DOT_Offices\District 2\Projects\8109\Program_Developments\Studies & Plans\Design\CADD\CAD\Sheet\02-64R09-500_Typicals_Detail_Con_Notes.dgn

USER NAME = vocknc	DESIGNED -	REVISED -
	DRAWN -	REVISED -
PLOT SCALE = 100,0000' / in.	CHECKED -	REVISED -
PLOT DATE = 3/10/2021	DATE -	REVISED -

**STATE OF ILLINOIS
DEPARTMENT OF TRANSPORTATION**

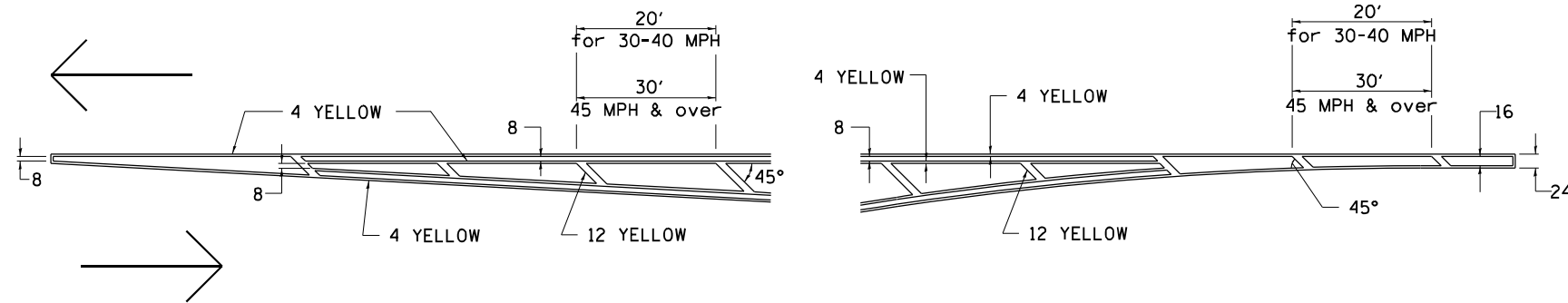
**DETAIL FOR ROUTE AND SEALING
OF CRACKS**

SCALE: SHEET OF SHEETS STA. TO STA.

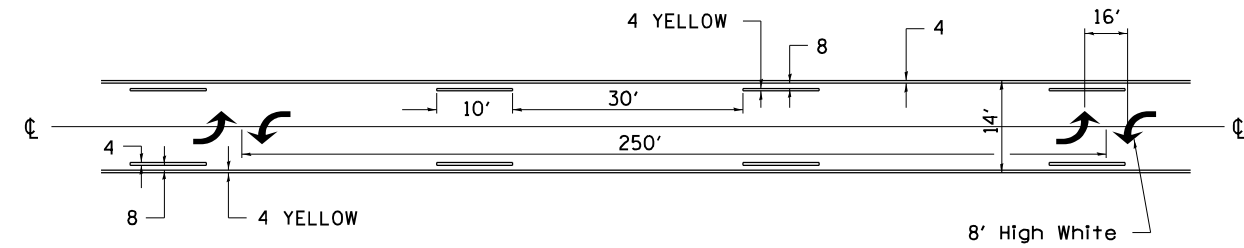
F.A. RTE.	SECTION	COUNTY	TOTAL SHEETS	SHEET NO.
80	(81-1) C/S	ROCK ISLAND	9	6
CONTRACT NO. 64R09				
ILLINOIS FED. AID PROJECT				

TYPICAL PAVEMENT MARKINGS

TYPICAL PAVEMENT MARKING FOR FLUSH MEDIAN AT LEFT TURN LANE

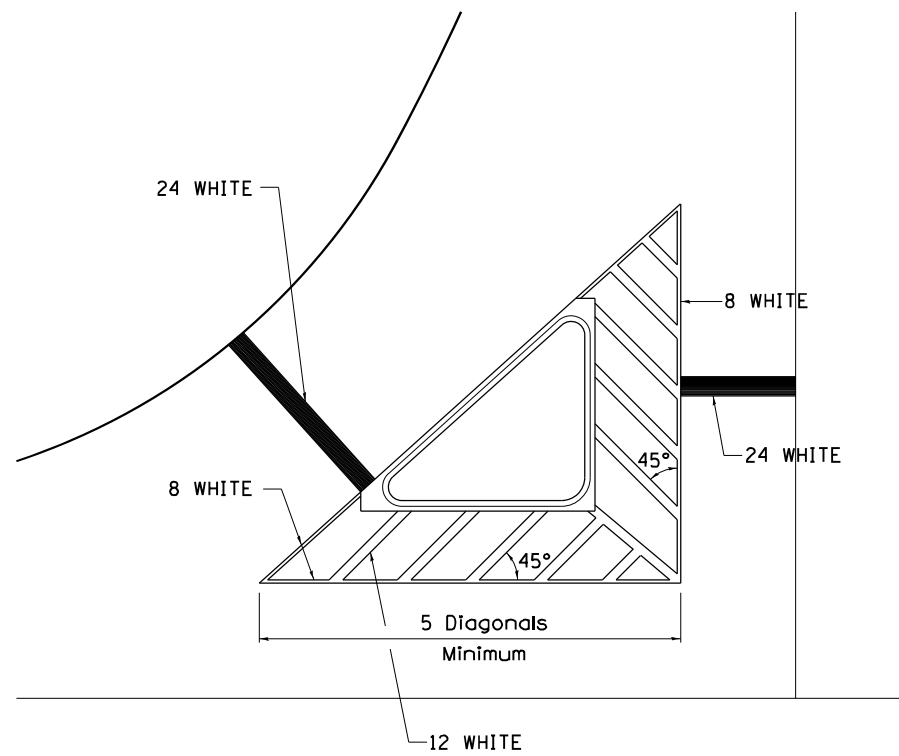


MEDIAN PAVEMENT MARKING



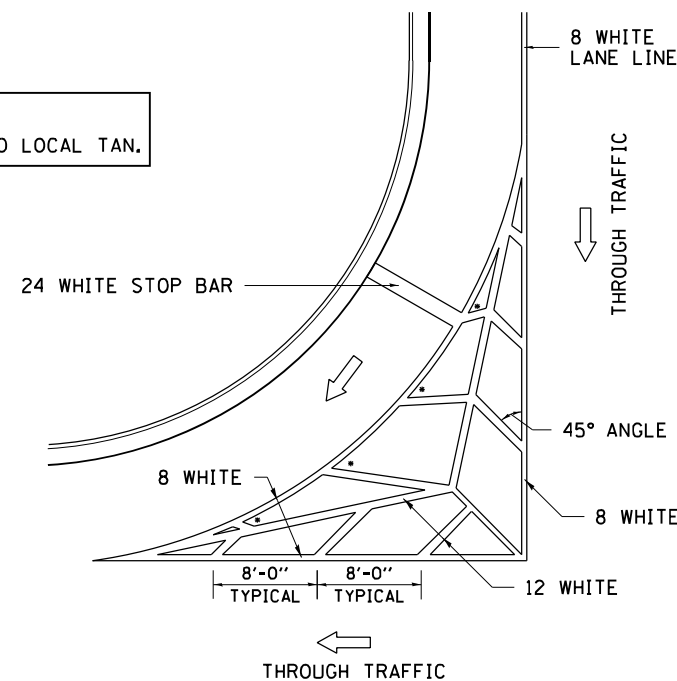
•• ALL DIMENSIONS ARE IN INCHES UNLESS OTHERWISE NOTED.

TYPICAL ISLAND OFFSET SHOULDER WIDTH



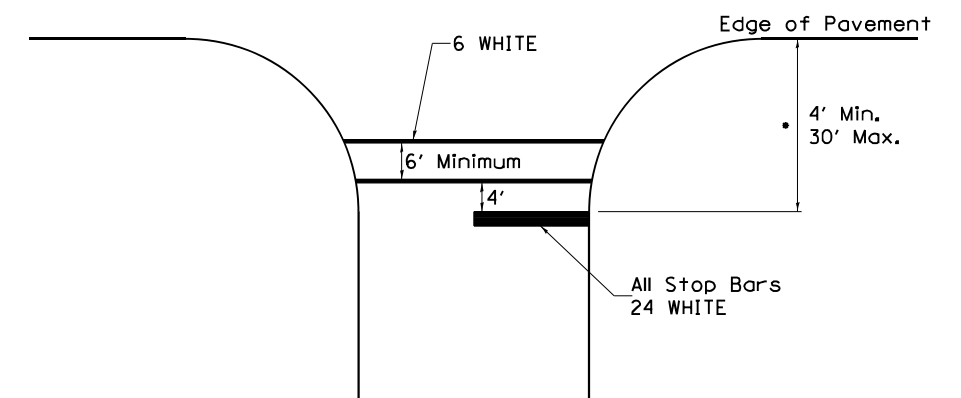
TYPICAL MARKING FOR PAINTED ISLANDS

NOTE:
* 45° TO LOCAL TAN.



STANDARD CROSSWALK MARKING

See Schedules for Locations

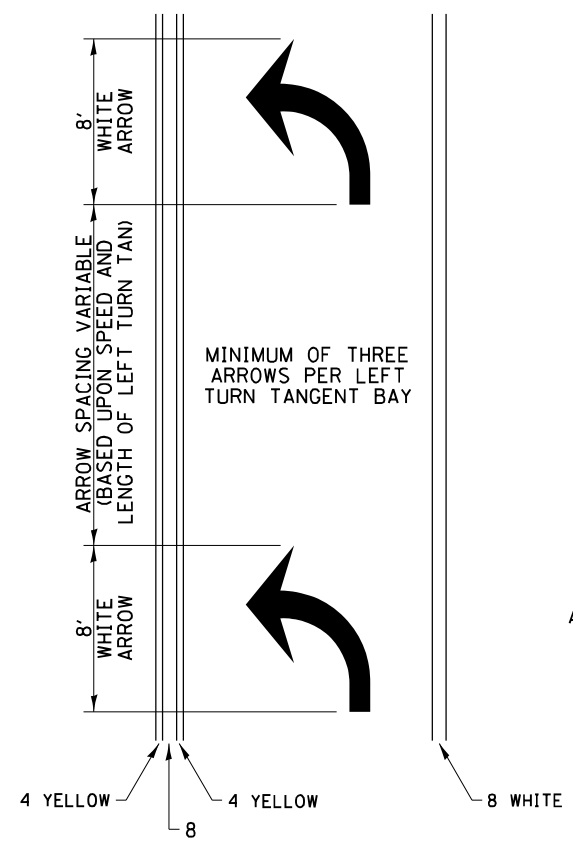


• Distance to the nearest edge of the intersecting roadway in the absence of a marked crosswalk.

FILE NAME =	USER NAME = vocknc	DESIGNED -	REVISED - 6-27-14	STATE OF ILLINOIS DEPARTMENT OF TRANSPORTATION	REGION 2 / DISTRICT 2 STANDARD	F.A. RTE.	SECTION	COUNTY	TOTAL SHEETS	SHEET NO.
pw:\planroom.dot.illinois.gov\PIDOT\Documents\IDOT Offices\District 2\Projects\64R09\Drawings\Development\Studies & Plans\Design\AS\Drawings\305489-500_Typicals_Detail_Gen_Notes.dgn	DRAWN	CHECKED -	REVISED -			80	(81-1) CJS	ROCK ISLAND	9	7
PLOT SCALE = 1/8" = 100'-0"		DATE -	REVISED -			CONTRACT NO. 64R09				
PLOT DATE = 3/10/2021			REVISED -			FED. ROAD DIST. NO.	ILLINOIS FED. AID PROJECT			

TYPICAL PAVEMENT MARKINGS

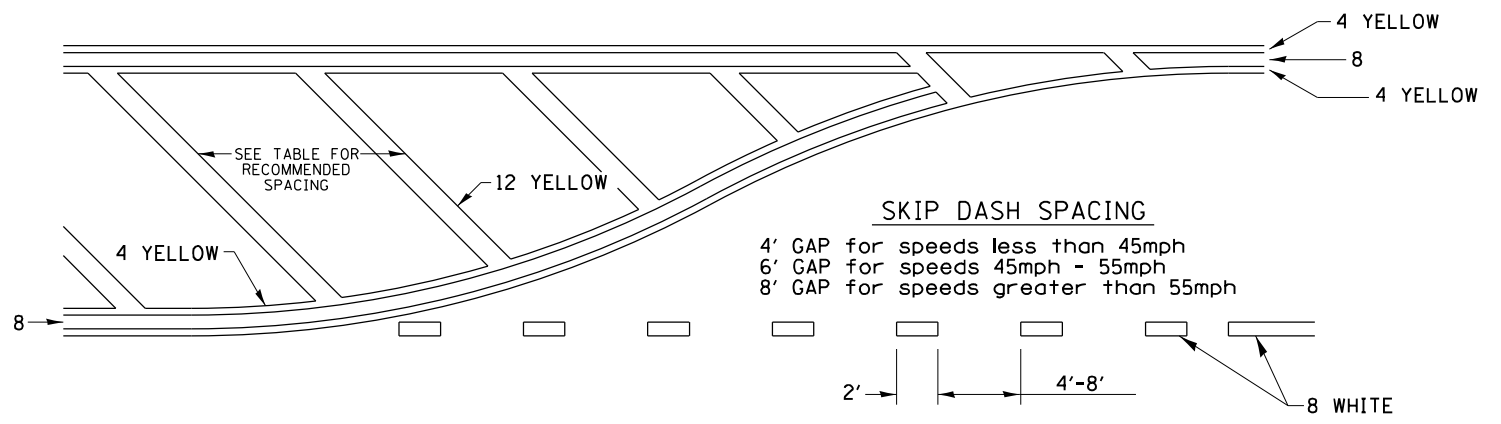
ARROW LAYOUT



- ◀ ONE-WAY AMBER MARKER
- ◁ ONE-WAY CRYSTAL MARKER
- ◆ TWO-WAY AMBER MARKER

ALL DIMENSIONS ARE IN INCHES UNLESS OTHERWISE NOTED.

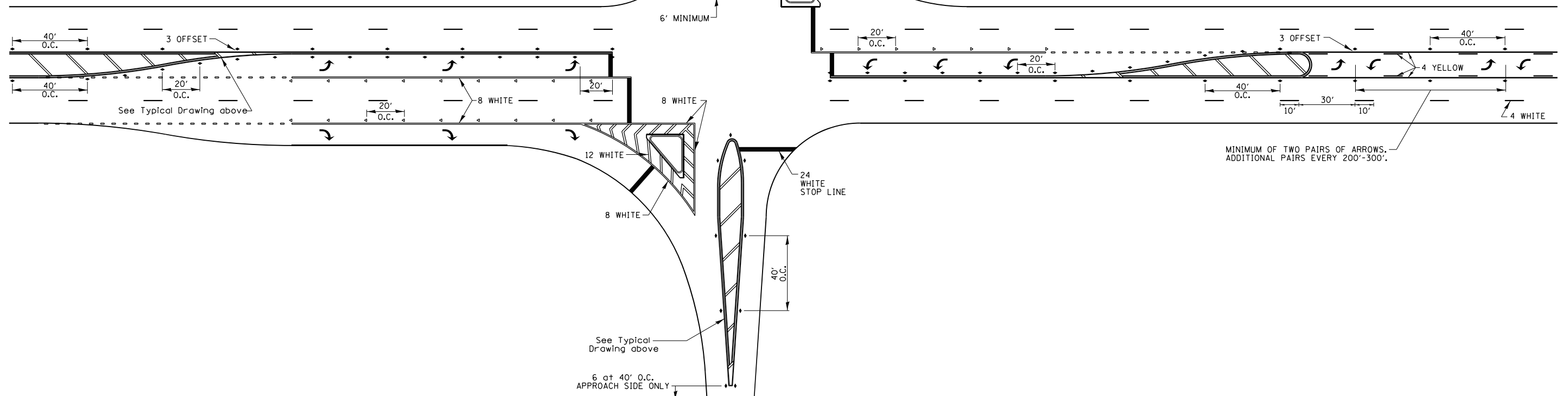
TYPICAL PAVEMENT MARKING FOR FLUSH MEDIAN



RECOMMENDED SPACING BETWEEN DIAGONALS (IN FEET)

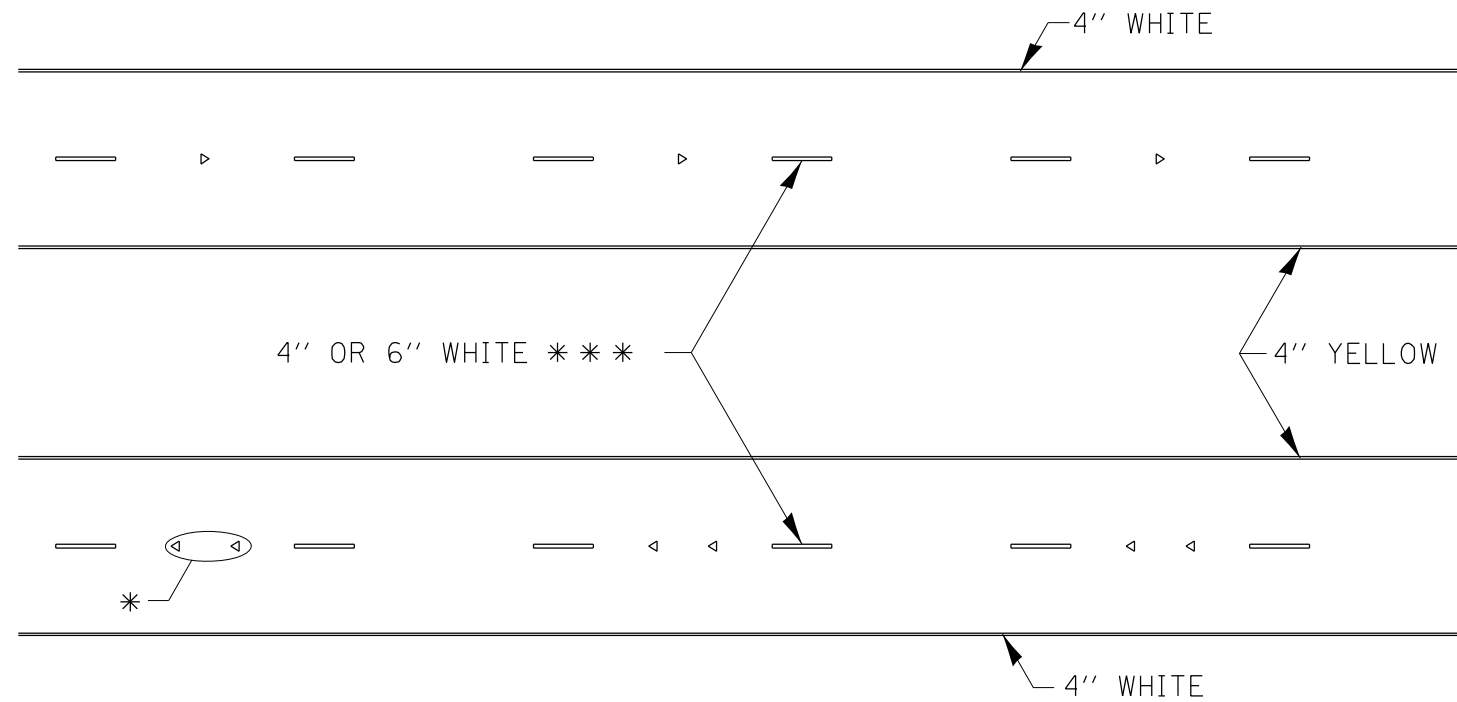
Speed Limit Range	Continuous Median Area	Intersection Channelization	Objects (Islands)
less than 30MPH	50'	15'	10'
30-40MPH	75'	20'	15'
45MPH & over	75'	30'	20'

NOTE: if the spacing recommended in the Table does not permit at least five diagonal lines in the area being marked, the spacing from the next lowest speed range should be used. The recommended spacing is measured parallel to the pavement center line.



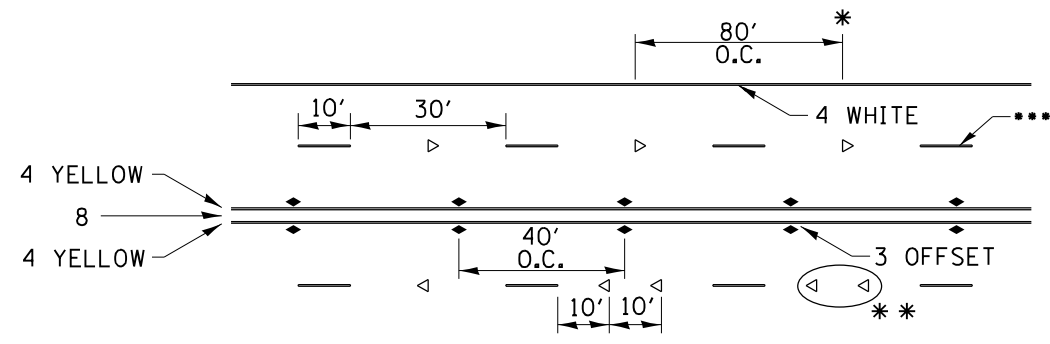
FILE NAME =	USER NAME = vocknc	DESIGNED -	REVISED - 6-27-14	STATE OF ILLINOIS DEPARTMENT OF TRANSPORTATION	REGION 2 / DISTRICT 2 STANDARD			F.A. RTE.	SECTION	COUNTY	TOTAL SHEETS	SHEET NO.
DRAWN Development Studies & Plans Design Sheets 305-489-500, Typicals, Detail, Gen. Notes.dgn					REVISIONS	80	(81-1) CJS	ROCK ISLAND	9	8		
PLOT SCALE = 1/8" = 100'-0"	CHECKED -	REVISOR -	DATE -		SCALE:	SHEET NO.	OF SHEETS	STA.	TO STA.	FED. ROAD DIST. NO.	ILLINOIS FED. AID PROJECT	CONTRACT NO. 64R09

TYPICAL PAVEMENT MARKINGS



* SEE HIGHWAY STANDARD 781001 FOR SPACING DETAILS.
USE DOUBLE MARKERS WHEN ADT > 20,000.

MULTI-LANE / DIVIDED



* REDUCE TO 40' O.C. ON CURVES WHERE ADVISORY SPEEDS ARE 10 MPH LOWER THAN POSTED SPEEDS.

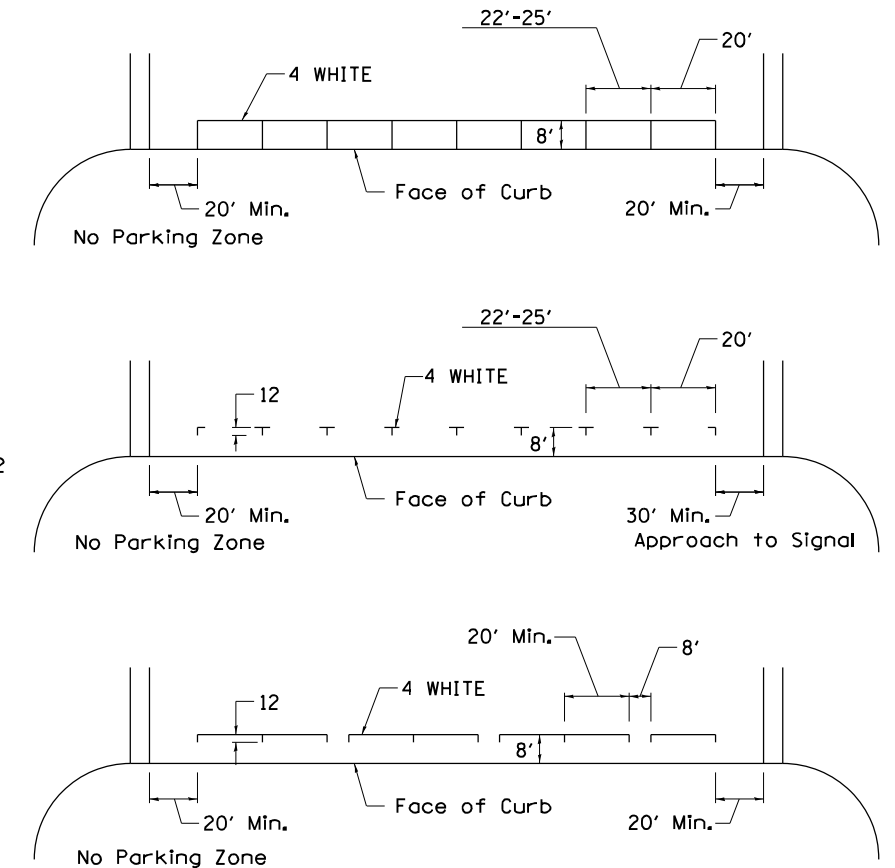
** USE DOUBLE MARKERS WHEN ADT ≥ 20,000

*** CENTERLINE SKIP DASH PAVEMENT MARKING SPEED LIMIT LESS THAN 40 MPH USE 4" LINE. SPEED LIMIT 40 MPH AND OVER USE 6" LINE.

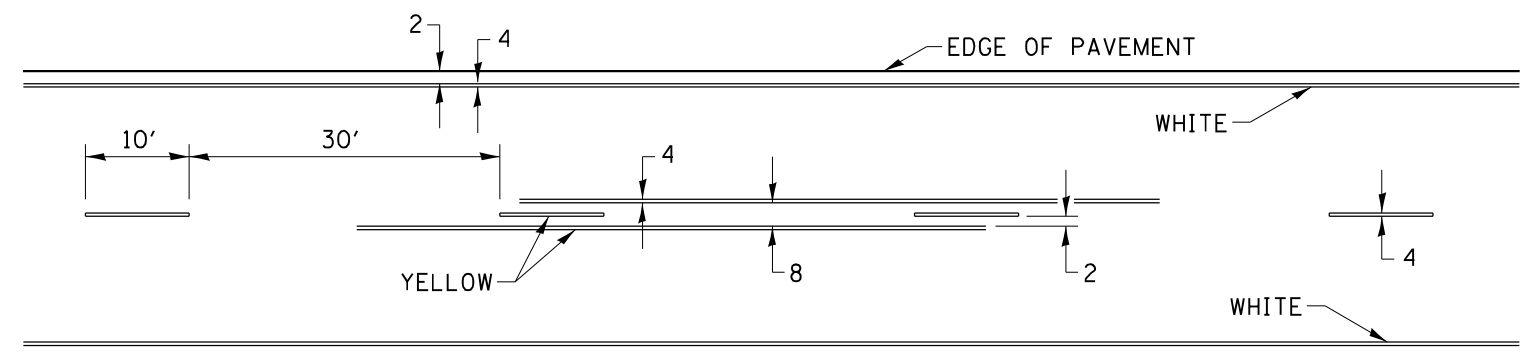
MULTI-LANE / UNDIVIDED & ONE WAY

(FOR MULTI-LANE UNDIVIDED HIGHWAYS USE THIS DETAIL NOT HIGHWAY STANDARD 781001)

TYPICAL PARKING SPACING



TYPICAL PAVEMENT MARKING FOR TWO LANE SECTION – NO PASSING ZONES



SYMBOLS

FILE NAME =	USER NAME = vocknc	DESIGNED -	REVISED - 6-27-14	STATE OF ILLINOIS DEPARTMENT OF TRANSPORTATION	REGION 2 / DISTRICT 2 STANDARD	F.A. RTE.	SECTION	COUNTY	TOTAL SHEETS	SHEET NO.
pw:\planroom.dot.illinois.gov\PIDOT\Documents\IDOT Offices\District 2\Projects\64R09\Drawn Development\Studies & Plans Design\ASheets\827419-500_Typicals_Detail.Gen_Notes.dgn	DRAWN	CHECKED -	REVISED - 11-28-12			80	(81-1) CJS	ROCK ISLAND	9	9
		DATE -	REVISED -			CONTRACT NO. 64R09		ILLINOIS FED. AID PROJECT		
PLOT SCALE = 100.0000' / in.				SCALE:	SHEET NO.	OF SHEETS	STA.	TO STA.		
PLOT DATE = 3/10/2021				TYPICAL PAVEMENT MARKINGS SHEET 3 OF 3 41.1						