

STATE OF ILLINOIS  
DEPARTMENT OF TRANSPORTATION

F.A.S. RTE.	SECTION	COUNTY	TOTAL SHEETS	SHEET NO.
1780	(24,24-1)RS-4	CLINTON	6	1
		ILLINOIS	CONTRACT NO. 76N32	

D-98-061-20

FOR INDEX OF SHEETS, SEE SHEET NO.

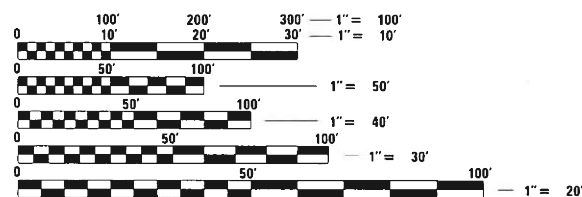
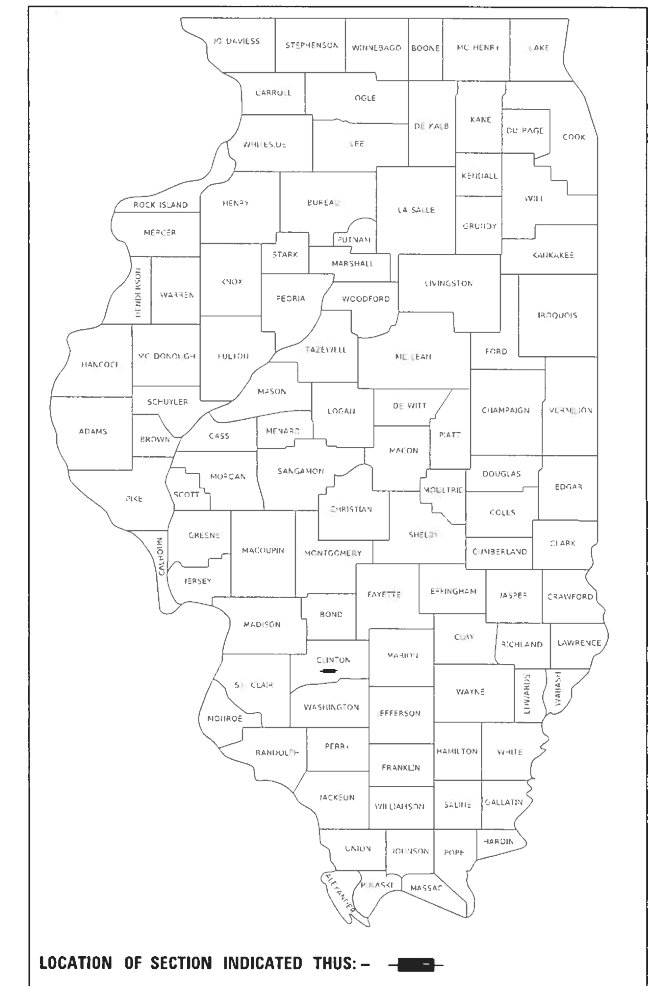
LOCATION	TRAFFIC DATA
	OLD US 50
2019 ADT	6600 (ACTUAL)
2044 ADT	8100 (ESTIMATED)
MU%	1.4
SU%	2.4

**PROPOSED  
HIGHWAY PLANS**

FAS ROUTE 1780 (OLD US 50)  
SECTION (24,24-1)RS-4

CM-SMART RESURFACING  
CLINTON COUNTY

C-98-075-20

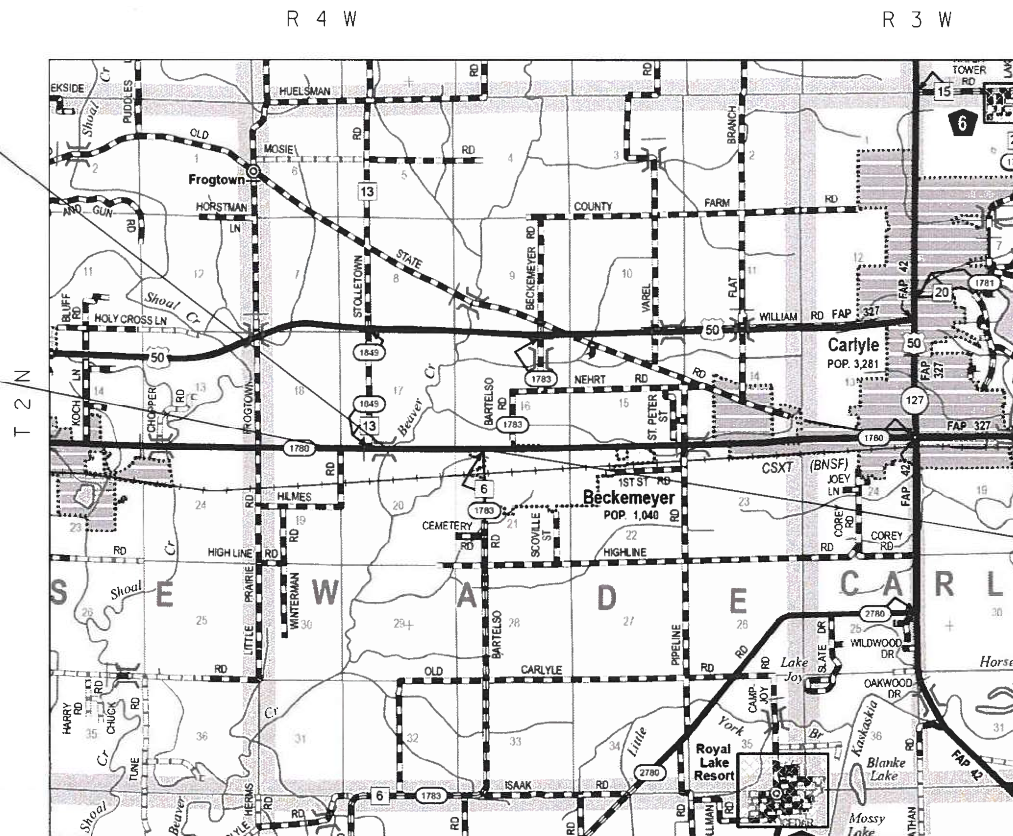


FULL SIZE PLANS HAVE BEEN PREPARED USING STANDARD ENGINEERING SCALES. REDUCED SIZED PLANS WILL NOT CONFORM TO STANDARD SCALES. IN MAKING MEASUREMENTS ON REDUCED PLANS, THE ABOVE SCALES MAY BE USED.

J.U.L.I.E.  
JOINT UTILITY LOCATION INFORMATION FOR EXCAVATORS  
1-800-892-0123  
OR 811

BRIDGE OMISSION - SN 014-0069  
STA. 1463+46.5 TO STA. 1467+25.5  
(379 FT)

BEGIN PROJECT  
STA. 1439+70  
LAT: 38.609316  
LONG: -89.466828



END PROJECT  
STA. 1499+54  
LAT: 38.624903  
LONG: -89.374957

GROSS LENGTH = 5984 FT. = 1.13 MILE  
NET LENGTH = 5605 FT. = 1.06 MILE

PROJECT ENGINEER: TIM PADGETT (618) 346-3325  
PROJECT MANAGER: RAHSHUN MILLER (618) 346-3196

CONTRACT NO. 76N32

STATE OF ILLINOIS  
DEPARTMENT OF TRANSPORTATION

SUBMITTED *April 30 20 20*  
*Kaith Roberts*  
REGIONAL ENGINEER

May 8 2020  
*Scott A. Elk*  
ENGINEER OF DESIGN AND ENVIRONMENT

May 8 2020  
*James J. ...*  
DIRECTOR OF HIGHWAYS PROJECT IMPLEMENTATION

PRINTED BY THE AUTHORITY  
OF THE STATE OF ILLINOIS

**INDEX OF SHEETS**

- 1 COVER SHEET
- 2 INDEX OF SHEETS, GENERAL NOTES, HIGHWAY STANDARDS, MIXTURE REQUIREMENTS & COMMITMENTS
- 3 SUMMARY OF QUANTITIES
- 4 TYPICAL SECTIONS
- 5 SCHEDULE OF QUANTITIES
- 6 LOCATION MAP, BUTT JOINT, TIES & SURVEY MONUMENTS DETAILS

**HIGHWAY STANDARDS**

000001-07	STANDARD SYMBOLS, ABBREVIATIONS AND PATTERNS
001006	DECIMAL OF AN INCH AND OF A FOOT
701011-04	OFF-ROAD MOVING OPERATIONS, 2L, 2W DAY ONLY
701201-05	LANE CLOSURES, 2L, 2W, DAY ONLY FOR SPEEDS ≥ 45 MPH
701301-04	LANE CLOSURES, 2L, 2W, SHORT TIME OPERATIONS
701306-04	LANE CLOSURES, 2L, 2W, SLOW MOVING OPERATIONS DAY ONLY FOR SPEEDS ≥ 45 MPH
701311-03	SLOW MOVING OPERATIONS DAY ONLY
701336-07	LANE CLOSURES, 2L, 2W, WORK AREAS IN SERIES FOR SPEEDS ≥ 45 MPH
701901-08	TRAFFIC CONTROL DEVICES
780001-05	TYPICAL PAVEMENT MARKINGS
781001-04	TYPICAL APPLICATIONS RAISED REFLECTIVE PAVEMENT MARKERS

**MIXTURE REQUIREMENTS**

ROUTE	FAS 1780 (OLD US 50)
SECTION	(24-24-1)RS-4
COUNTIES	CLINTON
CONTRACT	76N32

DESCRIPTION	SMART - RESURFACING OF OLD US 50 FROM HILMES RD. TO 0.2 MI WEST OF CARTER ST
-------------	--

ADT (CONSTRUCTION YR):	6600
MU%	1.4
SU%	2.4
20 YR. ESAL'S:	0.73

MIXTURE USE	SURFACE
AC/PG	PG 64-22
RAP % (MAX)	SEE SPECIAL PROVISION
DESIGN AIR VOIDS	4.0% @ Ndes=70
MIX COMPOSITION (GRADATION MIXTURE)	IL 9.5
FRICTION AGG	MIXTURE "D"
QUALITY MGMT PROGRAM	QCP

PLAN QUANTITIES FOR BITUMINOUS CONCRETE SURFACE COURSE ITEMS ARE CALCULATED USING A UNIT WEIGHT OF 112 LB/SQ YD/IN (59.8 KG/SQ M/25 MM THICKNESS).

**GENERAL NOTES**

① UTILITIES KNOWN TO HAVE FACILITIES WITHIN THE PROJECT AREA ARE AS FOLLOWS:

	AERIAL	BURIED
*AMEREN ILLINOIS (GAS & ELECTRIC)	x	x
*AT&T ILLINOIS (COMMUNICATIONS)	x	x
*VILLAGE OF BECKEMEYER (WATER & SANITARY SEWER)		x
*CITY OF CARLYLE (WATER & SANITARY SEWER)		x
*CARLYLE NORTH WATER COMPANY (WATER)		x
*CHARTER COMMUNICATIONS, INC. (CABLE TV)	x	x
*CLINTON COUNTY ELECTRIC COOPERATIVE, INC (ELECTRIC)	x	x
*NATURAL GAS PIPELINE COMPANY OF AMERICA (PIPELINE)		x

MEMBERS OF J.U.L.I.E. (800)-892-0123 ARE INDACATED BY\*. NON-J.U.L.I.E. MEMBERS MUST BE NOTIFIED INDIVIDUALLY.

- ② NO SURVEY WAS PERFORMED FOR THIS PROJECT. THE PLANS WERE CREATED USING MICROFILM AND FIELD MEASUREMENTS.
- ③ ONLY SHORT-TERM PAVEMENT MARKING REMOVAL FROM FINAL SURFACE SHALL BE PAID FOR AS "SHORT TERM PAVEMENT MARKING REMOVAL".
- ④ NO OVERNIGHT LANE CLOSURES WILL BE PERMITTED.
- ⑤ THE PROPOSED PAVEMENT MARKINGS AND TEMPORARY PAVEMENT MARKINGS SHALL MATCH EXISTING PAVEMENT MARKINGS AND CONTINUE THROUGHOUT THE JOB AND TIE INTO THE EXISTING PAVEMENT MARKINGS AT THE END OF THE RESURFACING PART OF THE PROJECT.
- ⑥ THE CONTRACTOR SHALL PROTECT ALL SURVEY MONUMENTS TO ENSURE THEY ARE VISIBLE UPON COMPLETION OF THE RESURFACING. THE PROCESS ESTABLISHED BY THE CONTRACTOR SHALL BE APPROVED BY THE RESIDENT ENGINEER PRIOR TO CONSTRUCTION AND THE COST FOR THIS WORK SHALL BE INCLUDED IN THE COST OF THE RESURFACING.
- ⑦ THE THICKNESS OF HMA MIXTURE SHOWN ON THE PLANS IS THE NOMINAL THICKNESS. DEVIATIONS FROM THE NOMINAL THICKNESS WILL BE PERMITTED WHEN SUCH DEVIATIONS OCCURS DUE TO IRREGULARITIES IN THE EXISTING SURFACE OR BASE ON WHICH THE HMA MIXTURE IS PLACED.
- ⑧ MATERIAL TRANSFER DEVICE CAN OPERATE IN AN UNLOADED CONDITION ON STRUCTURE SN 014-0069.

**COMMITMENTS**

NONE

REV. - MS

MODEL: Default  
 FILE: M:\MTE\_Plan\Maproom.dwg  
 PROJECT: B:\Projects\0876N32\CADD\0876N32\0876N32-1-14-cover.dgn

USER NAME = millerraj	DESIGNED -	REVISED -	
	DRAWN -	REVISED -	
PLOT SCALE = 100.0000' / in.	CHECKED -	REVISED -	
PLOT DATE = 4/28/2020	DATE -	REVISED -	

**STATE OF ILLINOIS  
DEPARTMENT OF TRANSPORTATION**

**GENERAL NOTES, COMMITMENTS  
INDEX OF SHEETS, HIGHWAY STANDARDS**

SCALE: NTS SHEET 1 OF 1 SHEETS STA. TO STA.

F.A.S. RTE.	SECTION	COUNTY	TOTAL SHEETS	SHEET NO.
1780	(24,24-1)RS-4	CLINTON	6	2
			CONTRACT NO. 76N32	
ILLINOIS FED. AID PROJECT				

CODE NO.	ITEM	UNIT	TOTAL QUANTITY	CONSTR. CODE	
				ROADWAY	
				0005	RURAL
40600290	BITUMINOUS MATERIALS (TACK COAT)	POUND	7007	7007	
40600982	HOT-MIX ASPHALT SURFACE REMOVAL - BUTT JOINT	SQ YD	111	111	
40600990	TEMPORARY RAMP	SQ YD	186	186	
40604062	HOT-MIX ASPHALT SURFACE COURSE, IL-9.5, MIX "D", N70	TON	1309	1309	
44000155	HOT-MIX ASPHALT SURFACE REMOVAL, 1 1/2"	SQ YD	15460	15460	
67000400	ENGINEER'S FIELD OFFICE, TYPE A	CAL MO	3	3	
67100100	MOBILIZATION	L SUM	1	1	
70100450	TRAFFIC CONTROL AND PROTECTION, STANDARD 701201	L SUM	1	1	
70100460	TRAFFIC CONTROL AND PROTECTION, STANDARD 701306	L SUM	1	1	
70100600	TRAFFIC CONTROL AND PROTECTION, STANDARD 701336	L SUM	1	1	
70107025	CHANGEABLE MESSAGE SIGN	CAL DA	65	65	
70300100	SHORT TERM PAVEMENT MARKING	FOOT	510	510	
70300150	SHORT TERM PAVEMENT MARKING REMOVAL	SQ FT	170	170	
70300220	TEMPORARY PAVEMENT MARKING - LINE 4"	FOOT	16122	16122	

CODE NO.	ITEM	UNIT	TOTAL QUANTITY	CONSTR. CODE	
				ROADWAY	
				0005	RURAL
* 78000200	THERMOPLASTIC PAVEMENT MARKING - LINE 4"	FOOT	16122	16122	
* 78100100	RAISED REFLECTIVE PAVEMENT MARKER	EACH	70	70	
78300200	RAISED REFLECTIVE PAVEMENT MARKER REMOVAL	EACH	70	70	
X7030005	TEMPORARY PAVEMENT MARKING REMOVAL	SQ FT	5374	5374	
Z0033700	LONGITUDINAL JOINT SEALANT	FOOT	5605	5605	
Z0034105	MATERIAL TRANSFER DEVICE	TON	1308	1308	
Z0070100	SURVEY MONUMENT COVER ASSEMBLY	EACH	2	2	

\* SPECIALTY ITEM

MODEL: Default  
 FILE: \\nrcs-pix\pub\harron.mda\illinois.gov\PWIDOT\Documents\DOT\_Offices\Dir\ctc @projects\076N32\CADDData\CAD\harron\076N32-shc-cover.dgn

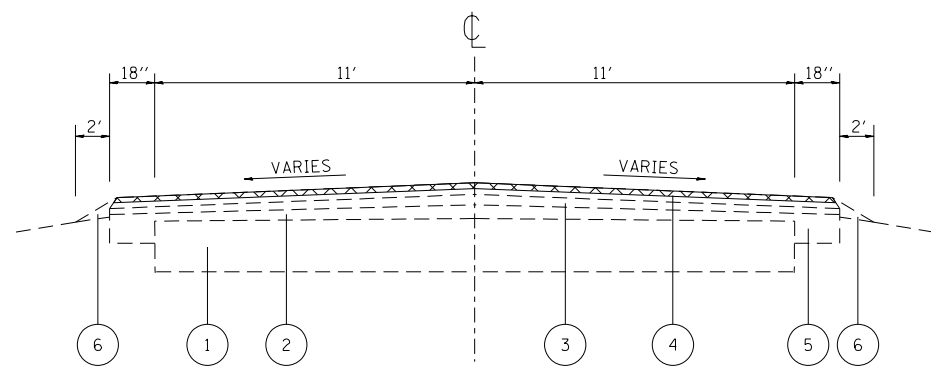
USER NAME = millerraj	DESIGNED -	REVISED -
	DRAWN -	REVISED -
PLOT SCALE = 100.0000' / in.	CHECKED -	REVISED -
PLOT DATE = 4/28/2020	DATE -	REVISED -

**STATE OF ILLINOIS  
DEPARTMENT OF TRANSPORTATION**

**SUMMARY OF QUANTITIES**

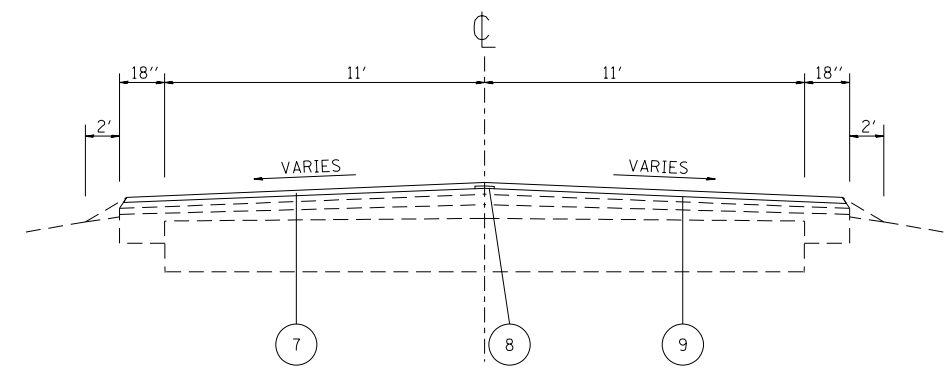
SCALE: NTS      SHEET 1 OF 2 SHEETS      STA.      TO STA.

F.A.S. RTE.	SECTION	COUNTY	TOTAL SHEETS	SHEET NO.
1780	(24,24-1)RS-4	CLINTON	6	3
			CONTRACT NO. 76N32	
		ILLINOIS	FED. AID PROJECT	



**EXISTING TYPICAL SECTION**

STA. 1439+70 TO STA. 1463+46.5  
 BRIDGE OMISSION STA. 1463+46.5 TO STA. 1467+25.5  
 STA. 1467+25.5 TO STA. 1499+54



**PROPOSED TYPICAL SECTION**

STA. 1439+70 TO STA. 1463+46.5  
 BRIDGE OMISSION STA. 1463+46.5 TO STA. 1467+25.5  
 STA. 1467+25.5 TO STA. 1499+54

**LEGEND**

- ① EXISTING PCC PAVEMENT
- ② EXISTING RESURFACING
- ③ EXISTING LEVELING BINDER COURSE, 3/4"
- ④ EXISTING HMA CONCRETE SURFACE COURSE, MIX "D", CLASS I, 1 1/4"
- ⑤ EXISTING HMA SHOULDERS
- ⑥ EXISTING AGGREGATE SHOULDER
- ⑦ PROPOSED HMA SURFACE COURSE, IL -9.5, MIX "D", N70, 1 1/2"
- ⑧ PROPOSED LONGITUDINAL JOINT SEALANT
- ⑨ PROPOSED BITUMINOUS MATERIAL (TACK COAT)

HOT-MIX ASPHALT SURFACE REMOVAL 1 1/2"

MODEL: Default  
 FILE: Model1\_Plan\planroom.dwg  
 I:\projects\DOT\Documents\DOT - Offices\District 8\Projects\DOT\76N32\CADD\Drawings\DOT\76N32-shc-cover.dgn

USER NAME = millerraj	DESIGNED -	REVISED -
	DRAWN -	REVISED -
PLOT SCALE = 100.0000' / in.	CHECKED -	REVISED -
PLOT DATE = 4/28/2020	DATE -	REVISED -

**STATE OF ILLINOIS  
 DEPARTMENT OF TRANSPORTATION**

**TYPICAL SECTIONS**

SCALE: NTS    SHEET 1 OF 1 SHEETS    STA.    TO STA.

F.A.S. RTE.	SECTION	COUNTY	TOTAL SHEETS	SHEET NO.
1780	(24,24-1)RS-4	CLINTON	6	4
CONTRACT NO. 76N32			ILLINOIS FED. AID PROJECT	

RESURFACING SCHEDULE						
STATION		HMA SURFACE REMOVAL 1 1/2 "		LONGITUDINAL JOINT SEALANT	BITUMINOUS MATERIALS (TACK COAT)	HMA SURFACE COURSE IL-9.5 "MIX D" N70
		SQ YD		FOOT	POUND	TON
<b>OLD US 50</b>						
1439+70	TO	1463+46.5	6602.0	2377	2970.6	555
1463+46.5	TO	1467+25.5				
1467+25.5	TO	1499+54	8969.0	3229	4035.6	754
<b>TOTAL:</b>			<b>15460</b>	<b>5605</b>	<b>7007</b>	<b>1309</b>

\*NOTE: SUBTRACT 111 SQYD FOR HMA BUTT JOINTS

TEMPORARY RAMPS/BUTT-JOINT SCHEDULE					
LOCATION		WIDTH	LENGTH	TEMPORARY RAMPS	HMA SURFACE REMOVAL BUTT-JOINT
DESCRIPTION	STATION	(FT)	(FT)	(SY)	(SY)
BEGINNING	1439+71	25	10	9.7	27.8
HILMES RD.	1442+20	75	10	29.2	
HILMES RD.	1442+20	64	10	24.9	
STOLLETOWN RD.	1455+59	239	10	92.9	
BRIDGE OMISSION	1463+46.6	25	10	9.7	27.8
BRIDGE OMISSION	1467+25.6	25	10	9.7	27.8
ENDING	1499+54	25	10	9.7	27.8
<b>TOTAL:</b>				<b>186</b>	<b>111</b>

PAVEMENT MARKING SCHEDULE												
STATION		LENGTH	THERMOPLASTIC LINE 4"			SHORT TERM PAVEMENT MARKING	SHORT TERM PAVEMENT MARKING REMOVAL	TEMPORARY PAVEMENT MARKING 4"	TEMPORARY PAVEMENT MARKING REMOVAL	RAISED REFLECTIVE PAVEMENT MARKERS	RAISED REFLECTIVE PAVEMENT MARKER REMOVAL	
			WHITE	YELLOW								
			SOLID LINE	SKIP-DASH	NO PASSING							
		FOOT	FOOT	FOOT	FOOT	FOOT	SQFT	FOOT	SQFT	EACH	EACH	
<b>OLD US 50</b>												
1439+70	TO	1463+46.5	2376.5	4753	143	1453	216	72	6349	2116	30	30
1463+46.5	TO	1467+25.5	379.0	BRIDGE OMISSION								
1467+25.5	TO	1499+54	3228.5	6457	1133	2183	294	98	9773	3258	40	40
<b>SUB TOTAL:</b>				<b>11210</b>	<b>1276</b>	<b>3636</b>						
<b>TOTAL:</b>				<b>16122</b>			<b>510</b>	<b>170</b>	<b>16122</b>	<b>5374</b>	<b>70</b>	<b>70</b>

MODEL: Default  
FILE: Model: Plc\p\planroom.dwg  
PROJECT: C:\Data\DOT\Documents\DOT - Offices\Bartlett - B\Projects\DOT\76N32\CADDData\CAD\Sheet\DOT\76N32-shc-cover.dgn

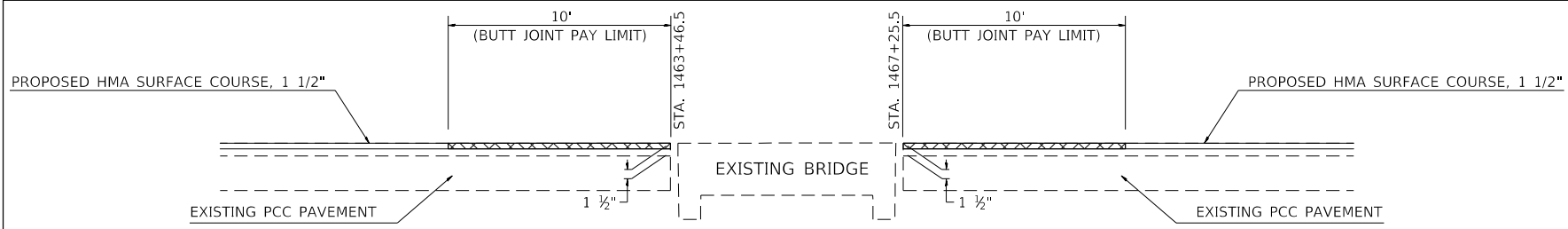
USER NAME = millerraj	DESIGNED -	REVISED -
	DRAWN -	REVISED -
PLOT SCALE = 100.0000 ' / in.	CHECKED -	REVISED -
PLOT DATE = 4/28/2020	DATE -	REVISED -

STATE OF ILLINOIS  
DEPARTMENT OF TRANSPORTATION

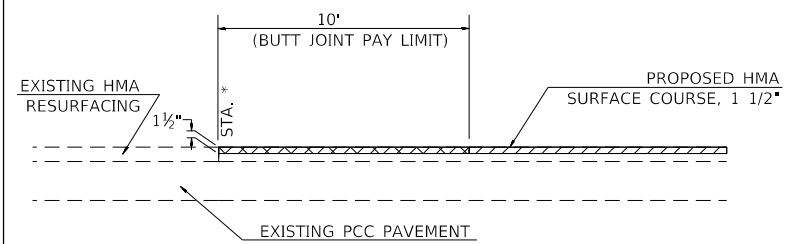
SCHEDULE OF QUANTITIES

SCALE: NTS SHEET 1 OF 2 SHEETS STA. TO STA.

F.A.S. RTE. 1780	SECTION (24,24-1)RS-4	COUNTY CLINTON	TOTAL SHEETS 6	SHEET NO. 5
CONTRACT NO. 76N32				
ILLINOIS FED. AID PROJECT				

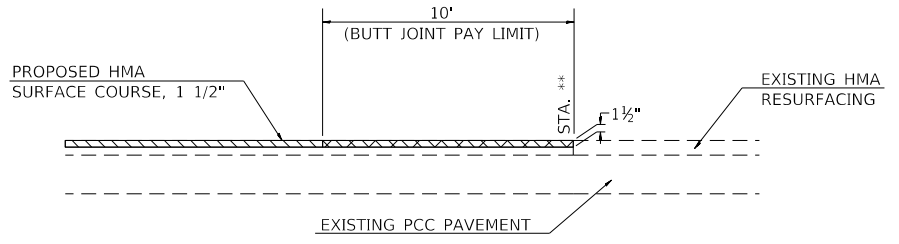


**JOINT TO BE CONSTRUCTED AT BRIDGE APPROACH**



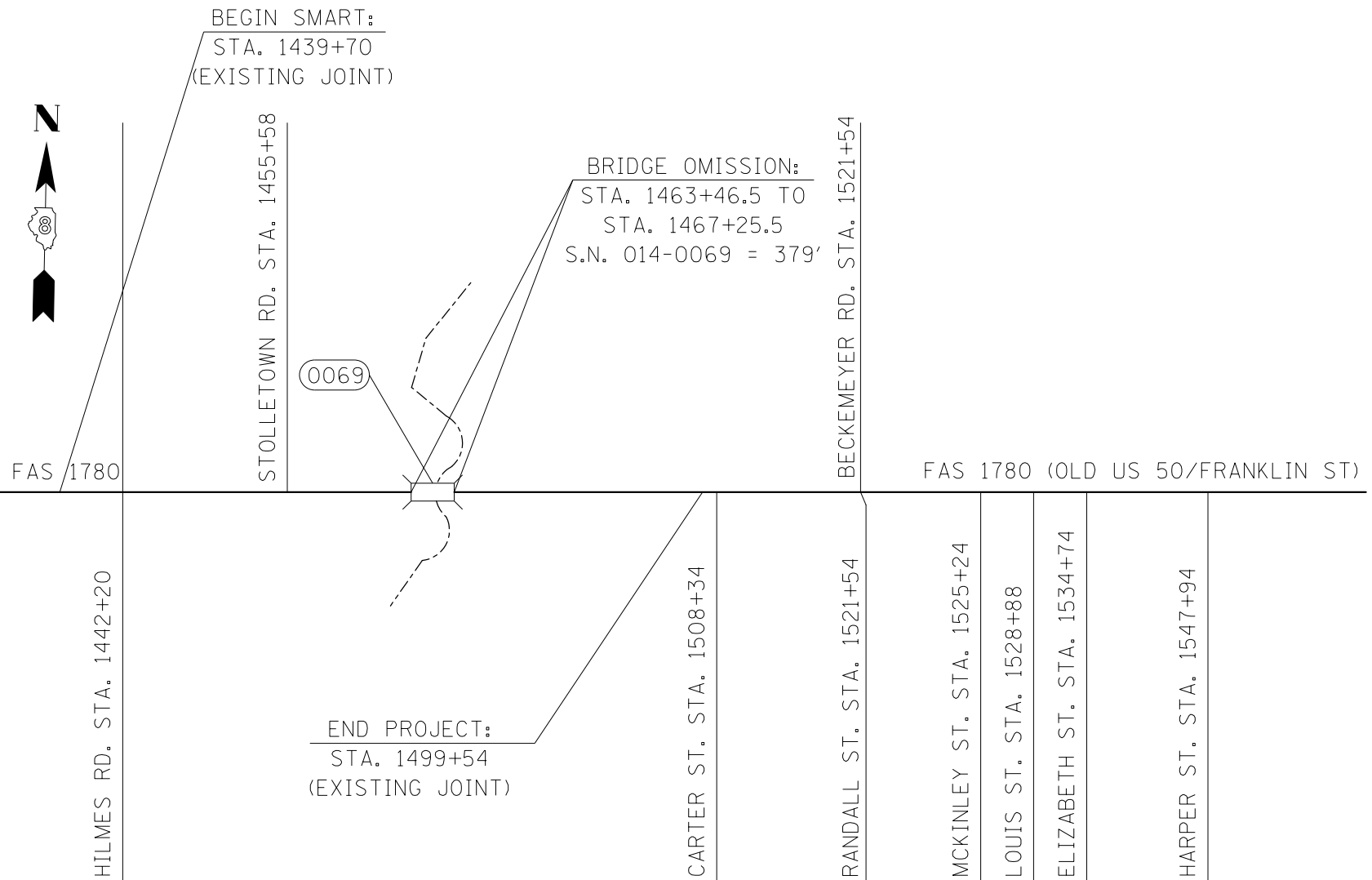
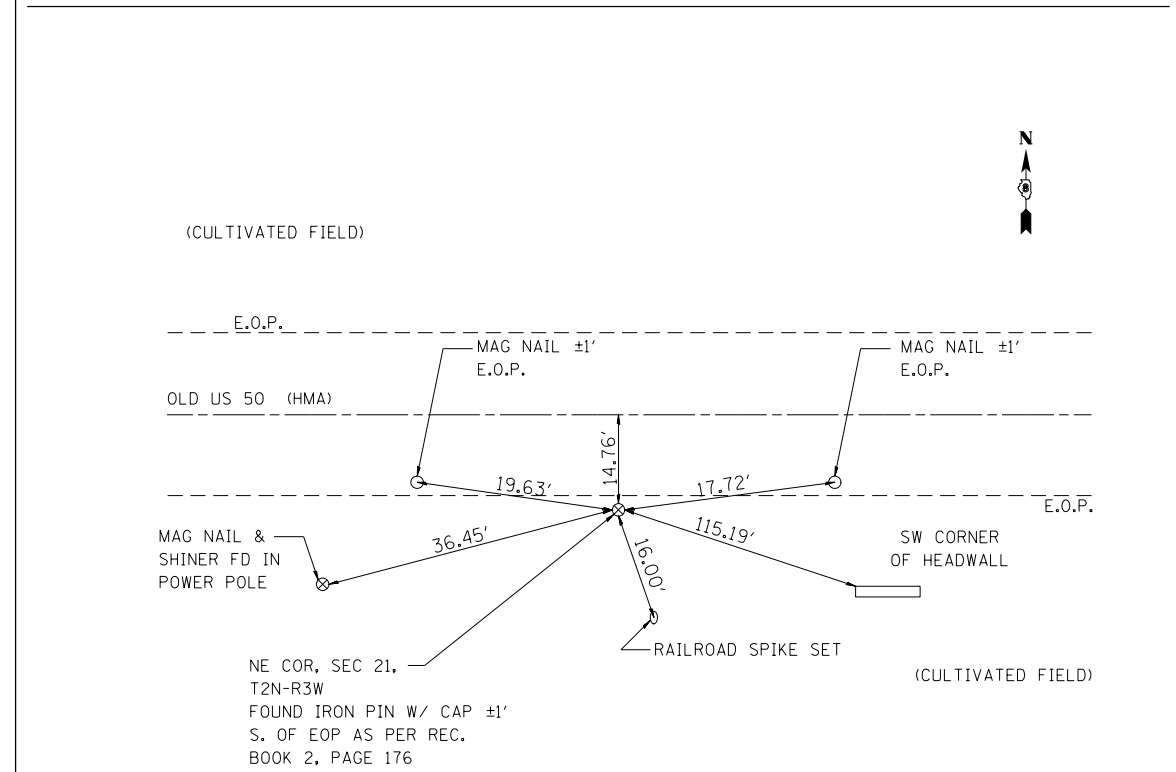
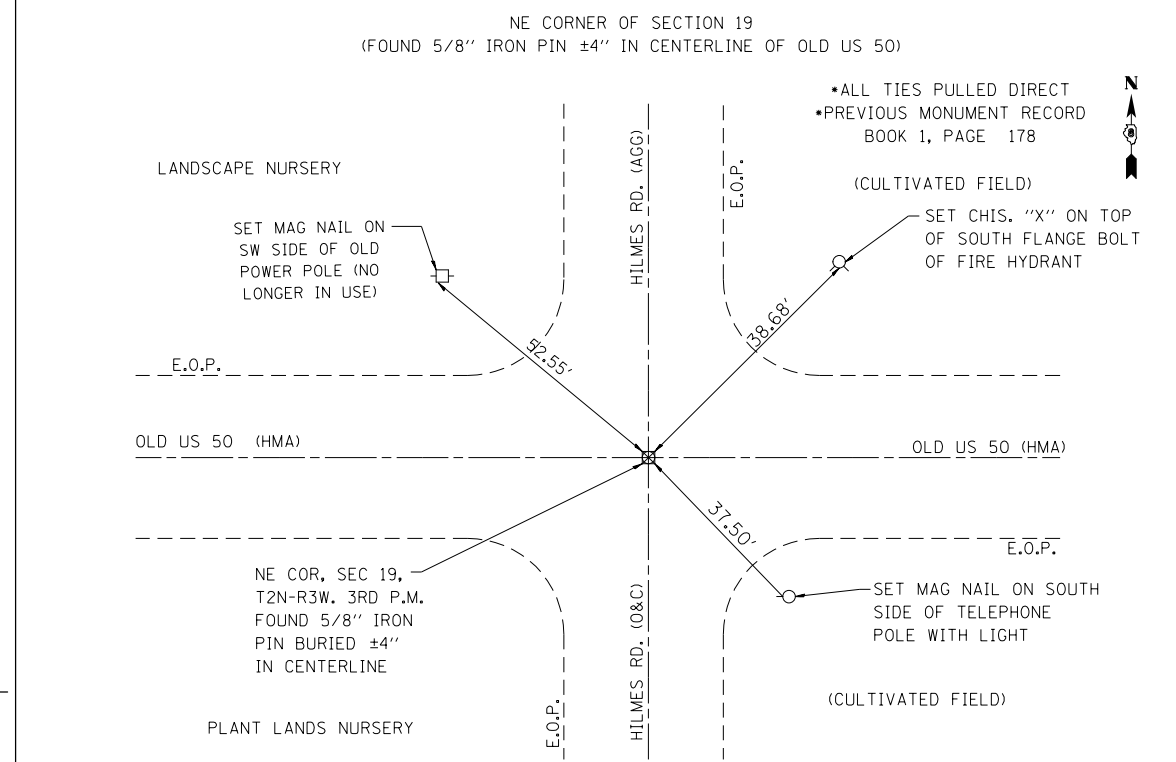
**BUTT JOINT DETAIL**

\*STA. 1439+70



**BUTT JOINT DETAIL**

\*\*STA. 1499+54



MODEL: Default  
 FILE: \\mhc-pc\pub\lhamroom\dta\illinois.gov\pww\DOT\Documents\DOT\_Offices\Illinrjct @Project\0768332\CADD\DATA\CAD\Sheet\0768332-shc-cover.dgn

USER NAME = millerraj	DESIGNED -	REVISED -
PLOT SCALE = 100.0000' / in.	DRAWN -	REVISED -
PLOT DATE = 4/28/2020	CHECKED -	REVISED -
	DATE -	REVISED -

**STATE OF ILLINOIS  
DEPARTMENT OF TRANSPORTATION**

<b>LOCATION MAP, BUTT JOINT DETAIL TIES &amp; SURVEY MONUMENTS DETAILS</b>	
SCALE: NTS	SHEET 1 OF 1 SHEETS STA. TO STA.

F.A.S. RTE.	SECTION	COUNTY	TOTAL SHEETS	SHEET NO.
1780	(24-24-1)RS-4	CLINTON	6	6
ILLINOIS FED. AID PROJECT			CONTRACT NO. 76N32	