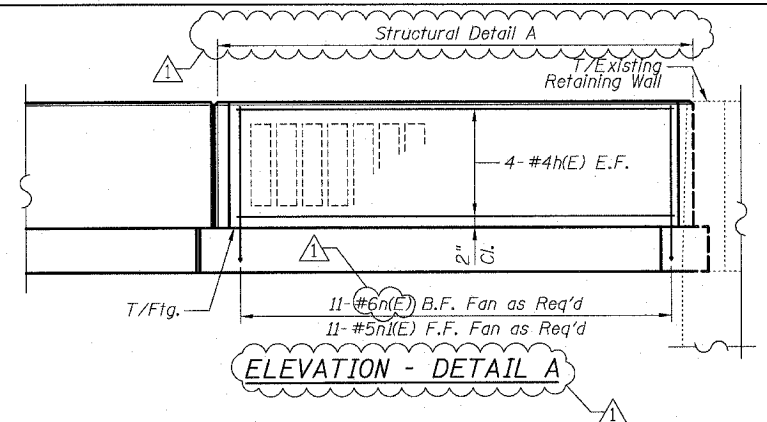


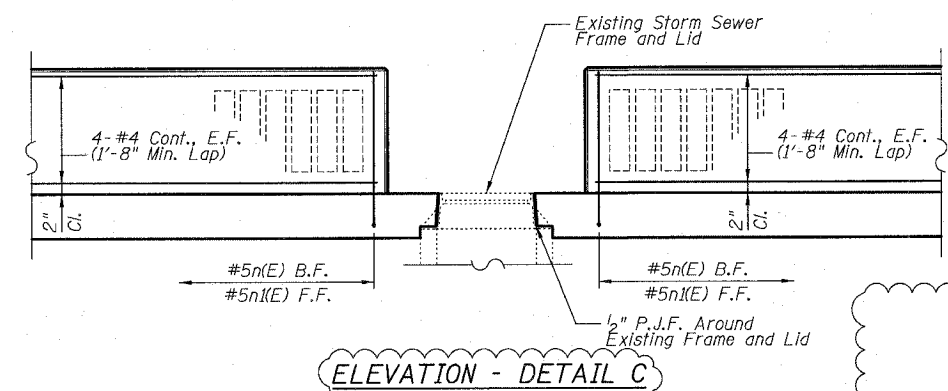
F.A.I.	SECTION	COUNTY	TOTAL SHEETS	SHEET NO.
94/90	*	COOK	25	14
STA.	TO STA.			
FED. ROAD DIST. NO.	ILLINOIS FED. AID PROJECT			

60A00
DETAIL A REINFORCEMENT SCHEDULE AND BILL OF MATERIAL

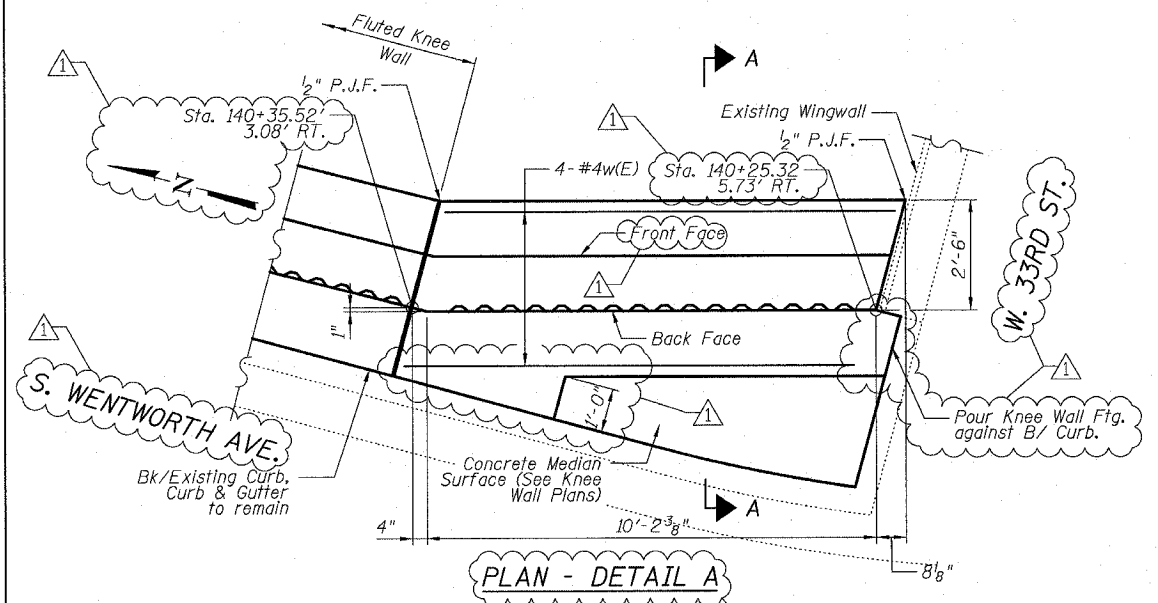
Bar	No.	Size	Length	Shape
n(E)	8	#4	10'-3"	—
n(E)	11	#6	5'-6"	L
n(E)	11	#5	5'-10"	L
w(E)	4	#4	10'-3"	—
Item	Unit	Qty.		
① Concrete Structures	Cu. Yd.	1.6		
② Concrete Superstructure	Cu. Yd.	1.4		
Reinforcement Bars, Epoxy Coated	Pound	240		
Rustication Finish	Sq. Ft.	17		
Protective Coat	Sq. Yd.	7		



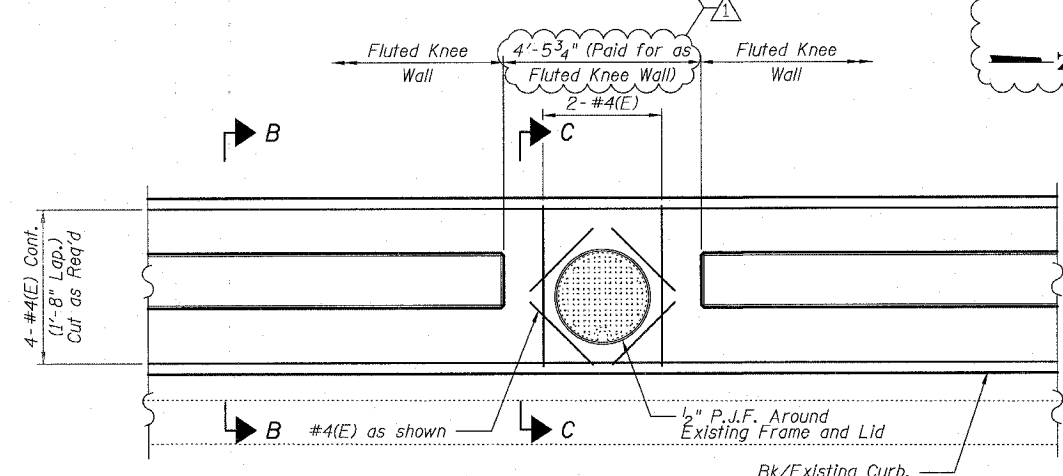
ELEVATION - DETAIL A



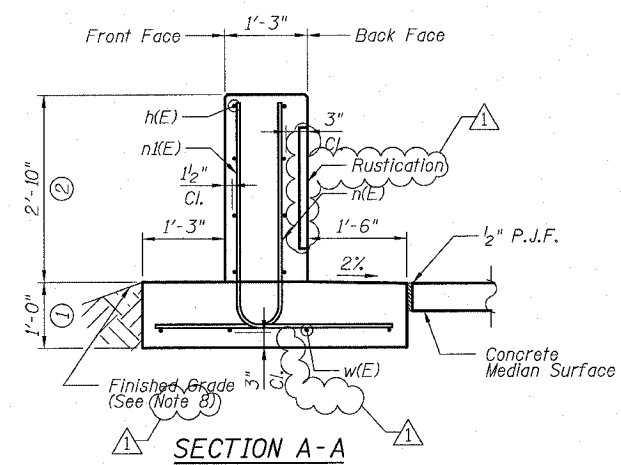
ELEVATION - DETAIL C



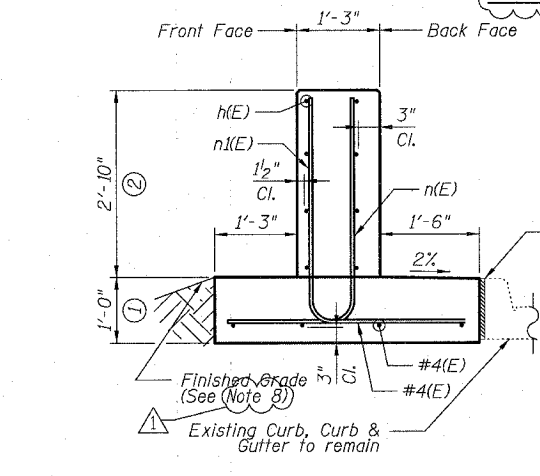
PLAN - DETAIL A



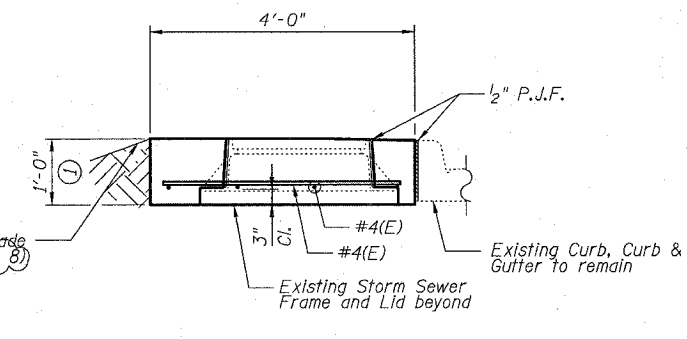
PLAN - DETAIL C



SECTION A-A



SECTION B-B



SECTION C-C

NOTES:

- All stations and offsets measured from S. Wentworth Ave.
- Concrete: f'c = 3500 psi
- Provide California Finish on top of foundation between stem and Frontage Road. See Roadway Details
- At locations where Fluted Knee Wall abuts a rigid structure, a 1" thick Preformed Expansion Joint Filler conforming to the shape of the Structure shall be installed between the Wall and the Structure.
- Apply Protective Coat to top and back face of stem and top of Frontage Road side of Foundation.
- For Fluted Knee Wall standard details, see Sheet SD-1
- B.F. = Back Face
F.F. = Front Face
E.F. = Each Face
- Shape finished grade as required to match existing conditions.
- P.J.F. included in cost of concrete structures.
- All items included in Detail C shall be included in the cost of Fluted Knee Wall.

BOWMAN, BARRETT & ASSOCIATES INC.
 CONSULTING ENGINEERS
 Chicago, Illinois
 312.228.0100
 www.bbainc.com

REVISIONS	
NAME	DATE
REVISED	3-6-08
ADDENDUM 1	5-30-08

SHEET SD-2
 ILLINOIS DEPARTMENT OF TRANSPORTATION
 F.A.I. 94/90 (DAN RYAN EXPRESSWAY)
 (SOUTHBOUND KNEE WALLS (33RD ST TO 31ST ST))
 DETAIL A & DETAIL C
 SCALE: N.T.S.
 DATE: 03/06/08
 DRAWN BY: PAH
 CHECKED BY: BLU