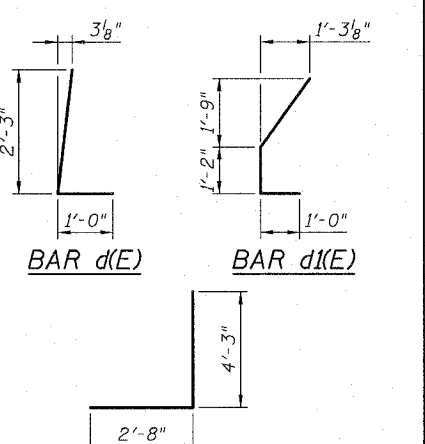
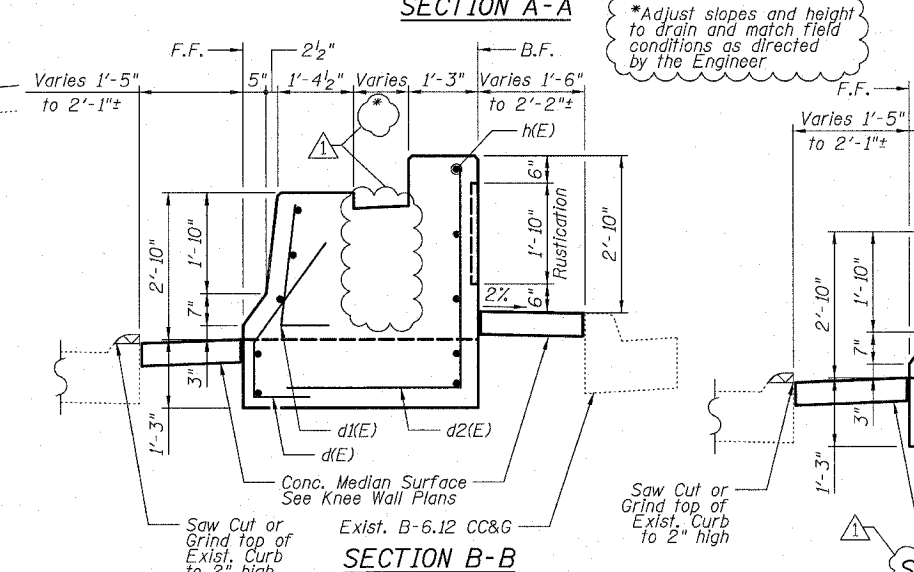
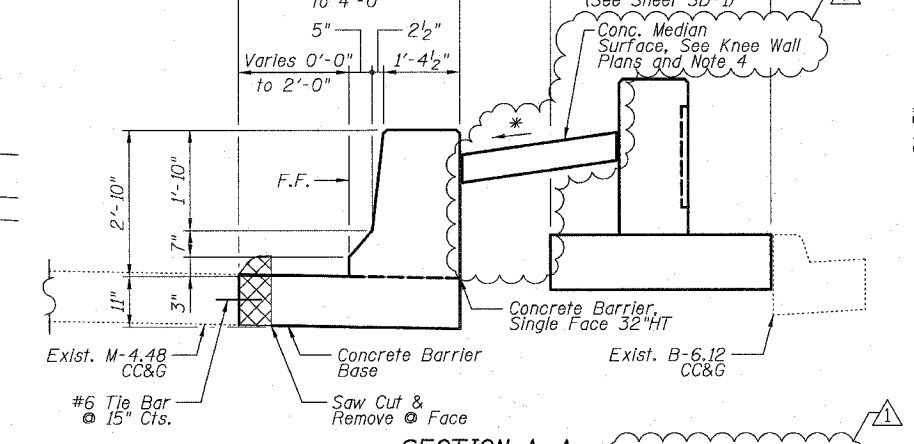
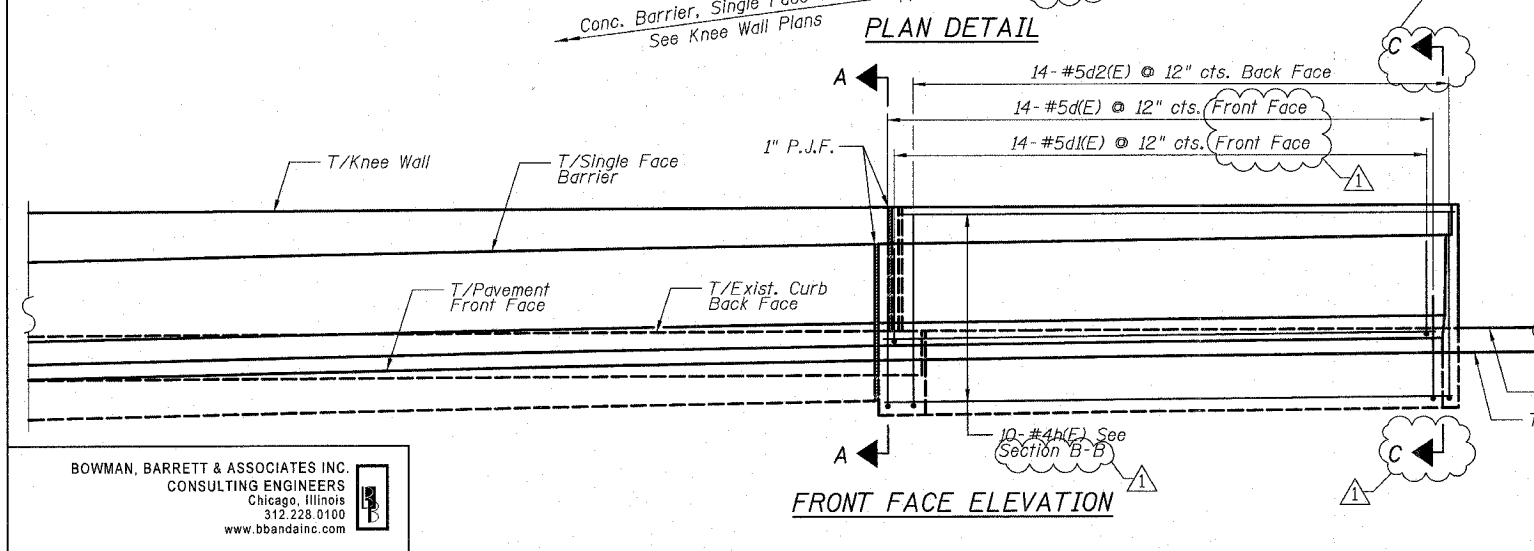
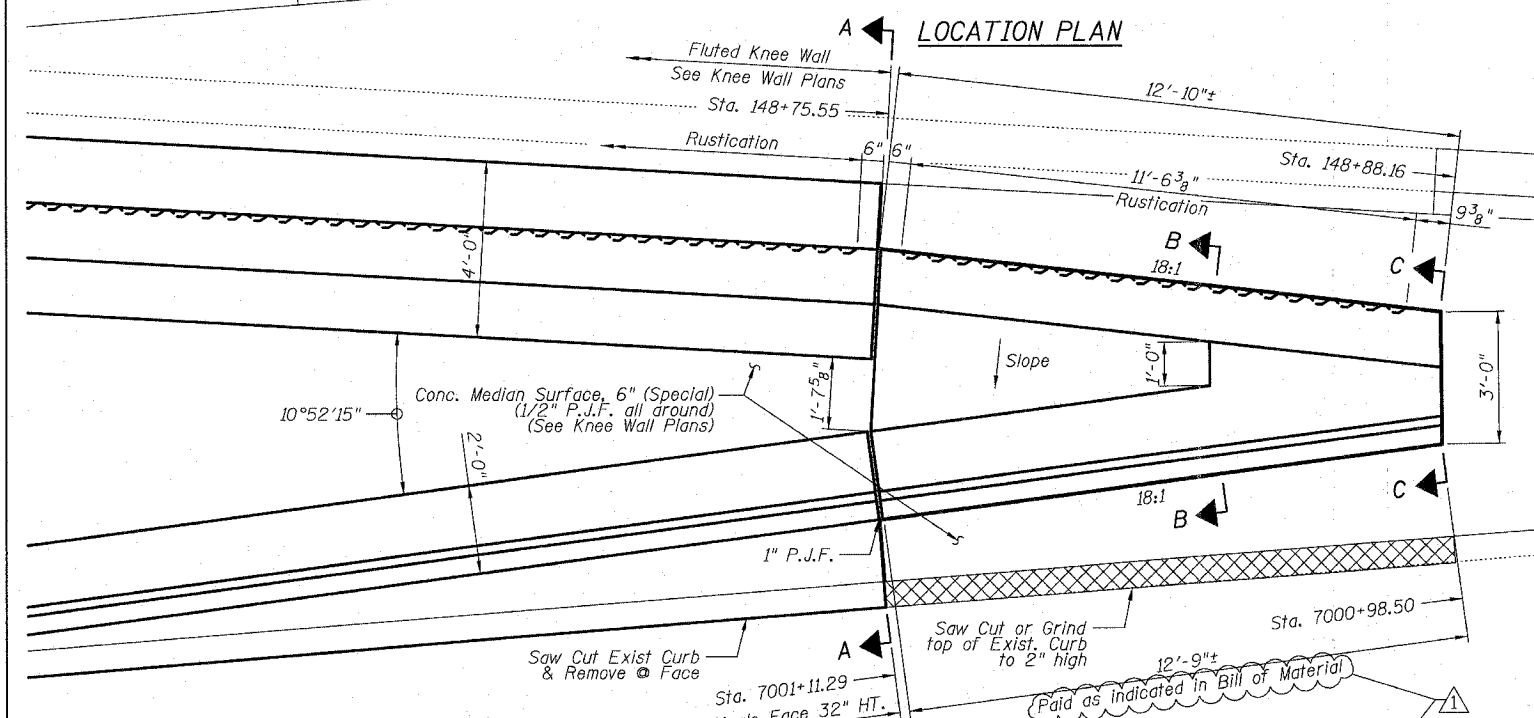
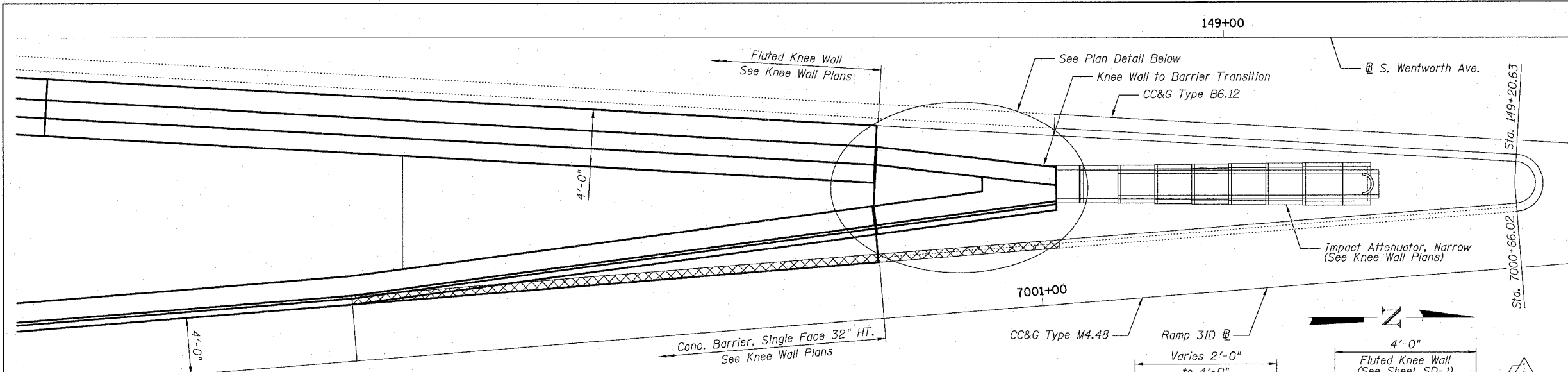


F.A.I.	SECTION	COUNTY	TOTAL SHEETS	SHEET NO.
94/90		COOK	25	15
STA.		TO STA.		
FED. ROAD DIST. NO.		ILLINOIS FED. AID PROJECT		

60A00
DETAIL B REINFORCEMENT SCHEDULE AND BILL OF MATERIAL

Bar	No.	Size	Length	Shape
d(E)	14	#5	3'-3"	L
d1(E)	14	#5	4'-3"	Z
d2(E)	14	#5	7'-1"	J
h(E)	10	#4	12'-5"	—

Item	Unit	Qty.
Concrete Superstructure	Cu. Yd.	7.8
Reinforcement Bars, Epoxy Coated	Pound	300
Rustication Finish	Sq. Ft.	22
Protective Coat	Sq. Yd.	14



- NOTES:**
- F.F. and B.F. denote Front Face and Back Face of transition, respectively.
 - Knee Wall/Barrier Transition shall be Paid as "Concrete Superstructure", "Reinforcement Bars, Epoxy Coated", "Rustication Finish" and "Protective Coat".
 - Cost to saw cut or grind and remove curb and cost of tie bars is incidental to Concrete Superstructure.
 - Conc. Median Surface btwn. SFCB and Knee Wall shall be placed on sand fill, see Knee Wall plans.

REVISIONS	
NAME	DATE
REVISED	3-6-08
ADDENDUM 1	5-30-08

ILLINOIS DEPARTMENT OF TRANSPORTATION
 F.A.I. 94/90 (DAN RYAN EXPRESSWAY)
 SOUTHBOUND KNEE WALLS (33RD ST TO 31ST ST)
 DETAIL B

SCALE: N.T.S. DATE: 03/06/08
 DRAWN BY: PAH CHECKED BY: BLU

BOWMAN, BARRETT & ASSOCIATES INC.
 CONSULTING ENGINEERS
 Chicago, Illinois
 312.228.0100
 www.bbainc.com