

SUMMARY OF QUANTITIES

CODE NO.	ITEM	UNIT	QUANTITY	100% STATE JOOO
20200100	EARTH EXCAVATION	CU YD	209	209
21101615	TOPSOIL FURNISH AND PLACE, 4"	SQ YD	3	3
21101645	TOPSOIL FURNISH AND PLACE, 12"	SQ YD	178	178
25000210	SEEDING, CLASS 2A	ACRE	0.09	0.09
25000400	NITROGEN FERTILIZER NUTRIENT	POUND	8	8
25000500	PHOSPHORUS FERTILIZER NUTRIENT	POUND	8	8
25000600	POTASSIUM FERTILIZER NUTRIENT	POUND	8	8
<del>25000800</del>	<del>GROUND PREPARATION FOR SEEDING</del>	<del>ACRE</del>	<del>0.06</del>	<del>0.06</del>
25100630	EROSION CONTROL BLANKET	SQ YD	455	455
42001300	PROTECTIVE COAT	SQ YD	120	120
44004250	PAVED SHOULDER REMOVAL	SQ YD	166	166
50300225	CONCRETE STRUCTURES	CU YD	1.6	1.6
50300255	CONCRETE SUPERSTRUCTURE	CU YD	9.2	9.2
50300300	PROTECTIVE COAT	SQ YD	21	21
50300510	RUSTICATION FINISH	SQ FT	39	39
50800405	REINFORCEMENT BARS, EPOXY COATED	POUND	540	540
60618324	CONCRETE MEDIAN SURFACE, 6" (SPECIAL)	SQ FT	390	390
63200310	GUARDRAIL REMOVAL	FOOT	51	51
66400550	CHAIN LINK FENCE, 4' (SPECIAL)	FOOT	794	794
67100100	MOBILIZATION	L SUM	1	1
70101800	TRAFFIC CONTROL AND PROTECTION, (SPECIAL)	L SUM	1	1
X0322256	TEMPORARY INFORMATION SIGNING	SQ FT	26	26
X0323973	SEDIMENT CONTROL, SILT FENCE	FOOT	832	832
X0323974	SEDIMENT CONTROL, SILT FENCE MAINTENANCE	FOOT	208	208
X0324112	BARRIER BASE	FOOT	60	60
X0324640	FLUTED KNEE WALL	FOOT	825	825
<del>X0325740</del>	<del>CONCRETE MEDIAN SURFACE, 5" (MODIFIED)</del>	<del>SQ FT</del>	<del>682</del>	<del>682</del>
63700155	CONCRETE BARRIER, SINGLE FACE, 32" HEIGHT	FOOT	60	60
70106800	CHANGEABLE MESSAGE SIGN	CAL MO	6	6
Z0013798	CONSTRUCTION LAYOUT	L SUM	1	1
Z0029999	IMPACT ATTENUATOR REMOVAL	EACH	1	1
X0325891	IMPACT ATTENUATORS (FULLY REDIRECTIVE, <sup>RESETTABLE</sup> TEST LEVEL 2)	EACH	1	1
<del>Z0076600</del>	<del>TRAINING</del>	<del>HOUR</del>		
44002300	CURB REMOVAL (PARTIAL)	FOOT	78	78

INDEX OF SHEETS

SHEET	DESCRIPTION
1	COVER SHEET
2	GENERAL NOTES AND PROJECT COMMITMENTS
3	SUMMARY OF QUANTITIES / INDEX / HIGHWAY STANDARDS
4	EXISTING AND PROPOSED TYPICAL SECTIONS
5-9	ALIGNMENT PLANS, SURVEY TIES AND CONTROL POINTS
10-12	EXISTING AND PROPOSED KNEE WALL PLANS
13-15A	STRUCTURAL DETAILS
16	BD-51 DISTRICT 1, BENCHING DETAIL FOR EMBANKMENT WIDENING
17	TC-10 DISTRICT 1, TRAFFIC CONTROL AND PROTECTION FOR SIDE ROADS, INTERSECTIONS & DRIVEWAYS
18	TC-17 DISTRICT 1, TRAFFIC CONTROL DETAILS FOR FREEWAY SHOULDER CLOSURES PARTIAL RAMP CLOSURES
19	TC-18 DISTRICT 1, SIGNING FOR FLAGGING OPERATIONS AT WORK ZONE OPENINGS
20	TC-22 DISTRICT 1, ARTERIAL ROAD INFORMATION SIGN
21-25	CROSS SECTIONS

IDOT HIGHWAY STANDARDS

SHEET	DESCRIPTION
000001-05	STANDARD SYMBOLS, ABBREVIATIONS, AND PATTERNS
001001-01	AREAS OF REINFORCEMENT BARS
001006	DECIMAL OF AN INCH AND OF A FOOT
664001-01	CHAIN LINK FENCE
701601-05	URBAN LANE CLOSURE, MULTILANE, 1W OR 2W WITH NONTRAVERSABLE MEDIAN
701701-05	URBAN LANE CLOSURE, MULTILANE INTERSECTION
701801-03	LANE CLOSURE, MULTILANE, 1W OR 2W, CROSSWALK OR SIDEWALK CLOSURE, for speeds < 45 mph
701901	TRAFFIC CONTROL DEVICES
720001	SIGN PANEL MOUNTING DETAILS
720006-01	SIGN PANEL ERECTION DETAILS
728001	TELESCOPING STEEL SIGN SUPPORT
731001	BASE FOR TELESCOPING STEEL SIGN SUPPORT

F.A.I.	SECTION	COUNTY	TOTAL SHEETS	SHEET NO.
94/90	*	COOK	25	3
STA.	TO STA.			
FED. ROAD DIST. NO.	ILLINOIS	FED. AID PROJECT		

60A00

BOWMAN, BARRETT & ASSOCIATES INC.  
CONSULTING ENGINEERS  
Chicago, Illinois  
312.228.0100  
www.bbandainc.com



Rev. 6-2-08

Rev.

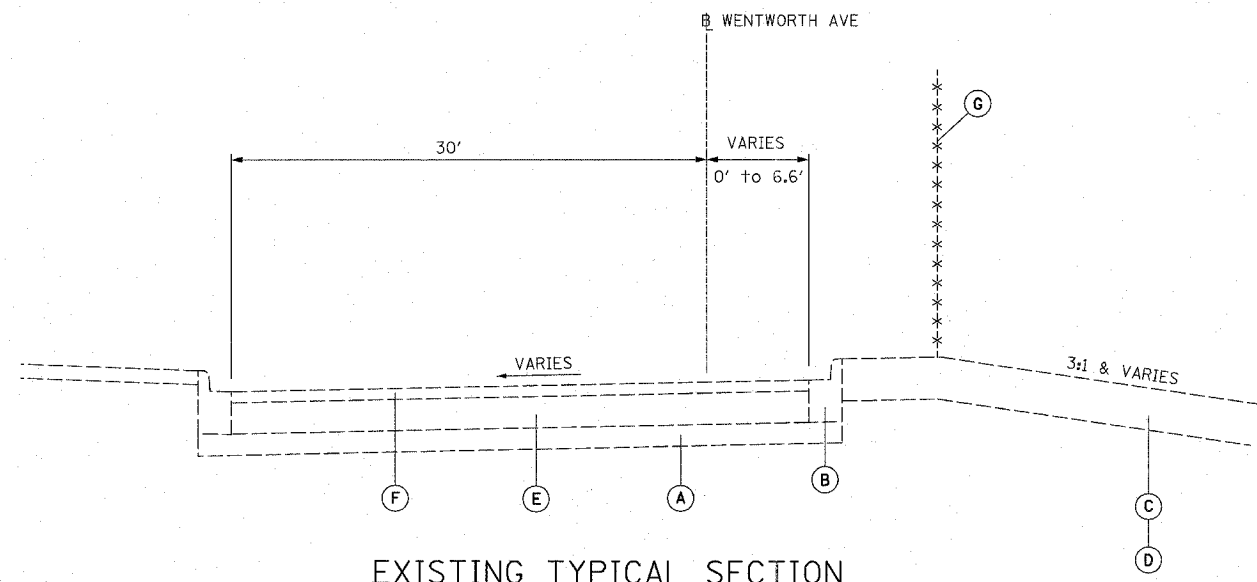
REVISIONS	
NAME	DATE

ILLINOIS DEPARTMENT OF TRANSPORTATION  
F.A.I. 94/90 (DAN RYAN EXPRESSWAY)  
SOUTHBOUND KNEE WALLS (33RD TO 31ST ST)  
SUMMARY OF QUANTITIES  
INDEX OF SHEETS  
HIGHWAY STANDARDS

SCALE: NONE  
DATE: 02/08/08  
DRAWN BY: JDC  
CHECKED BY: DDM

SOQ-1  
3:30:43 PM  
2/12/2008

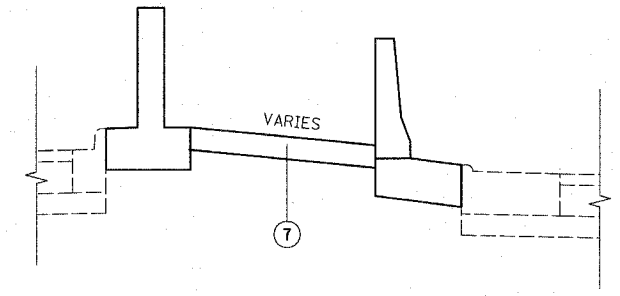
F.A.I.	SECTION	COUNTY	TOTAL SHEETS	SHEET NO.
94/90		COOK	25	4
STA.	TO STA.			
FED. ROAD DIST. NO.	ILLINOIS	FED. AID PROJECT		
60A00		2324.6-1P-1-5		



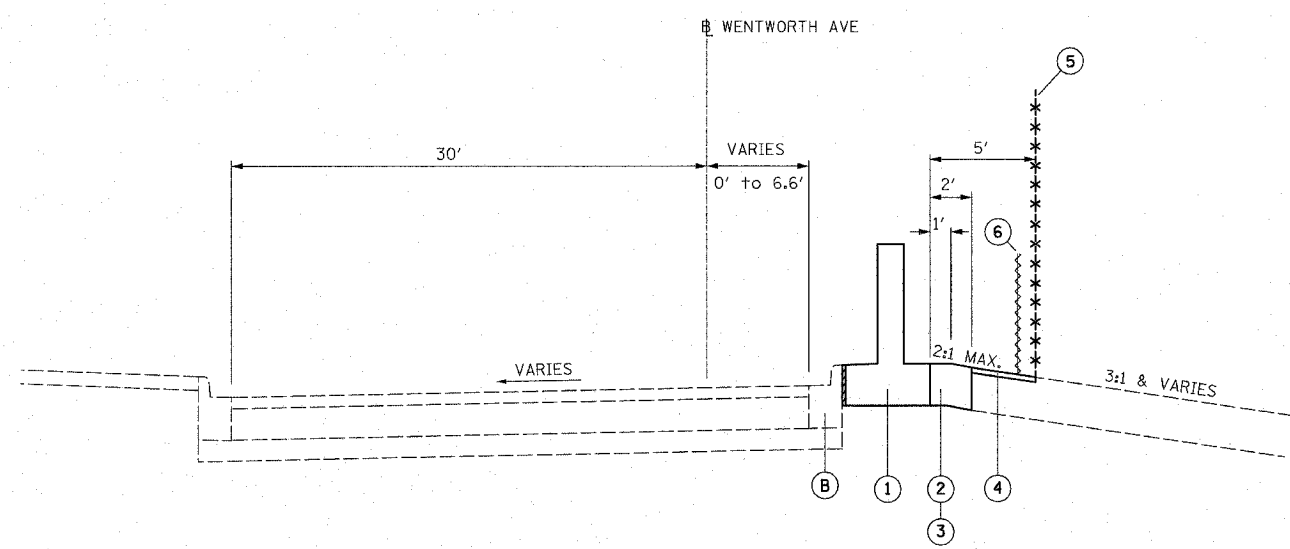
**EXISTING TYPICAL SECTION**  
STA. 140+25 to 149+26

**EXISTING LEGEND**

- (A) GRANULAR MATERIAL, 6"
- (B) COMBINATION CONCRETE CURB AND GUTTER, TYPE B-6.12
- (C) TOPSOIL, 4"
- (D) TOPSOIL, 12"
- (E) PORTLAND CEMENT CONCRETE PAVEMENT, 9"
- (F) BITUMINOUS CONCRETE, 3"
- (G) CHAIN LINK FENCE, 4'



**TYPICAL MEDIAN TREATMENT**  
STA. 148+42 to 148+76



**PROPOSED TYPICAL SECTION**  
STA. 140+25 to 149+26

**PROPOSED LEGEND**

- (1) FLUTED KNEE WALL
- (2) SEEDING, CLASS 2A / TOPSOIL FURNISH AND PLACE, 4" / EROSION CONTROL BLANKET
- (3) SEEDING, CLASS 2A / TOPSOIL FURNISH AND PLACE, 12" / EROSION CONTROL BLANKET
- (4) SEEDING, CLASS 2A / TOPSOIL FURNISH AND PLACE, 12" / EROSION CONTROL BLANKET
- (5) CHAIN LINK FENCE, 4' (SPECIAL)
- (6) SEDIMENT CONTROL, SILT FENCE (TO BE REMOVED AT PROJECT COMPLETION)

**NOTES:**

1. THICKNESS OF EXISTING PAVEMENT AND GRANULAR MATERIAL ARE TAKEN FROM RECORD DRAWING PLANS.
2. TYPICAL SECTIONS NEED TO BE VERIFIED WITH THE PLANS AS THEY ARE A REPRESENTATION OF THE PLANS. THEY DO NOT SHOW ALL CONFIGURATIONS, JUST THE MOST PREDOMINANT.

REVISIONS	
NAME	DATE
REVISOR	3-6-08
REVISOR	5-30-08

ILLINOIS DEPARTMENT OF TRANSPORTATION  
F.A.I. 94/90 (DAN RYAN EXPRESSWAY)  
SOUTHBOUND KNEE WALLS (33RD ST TO 31ST ST)

**TYPICAL SECTIONS**

SCALE: NTS  
DATE: 03/06/08

DRAWN BY: JDC  
CHECKED BY: RS

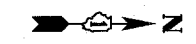
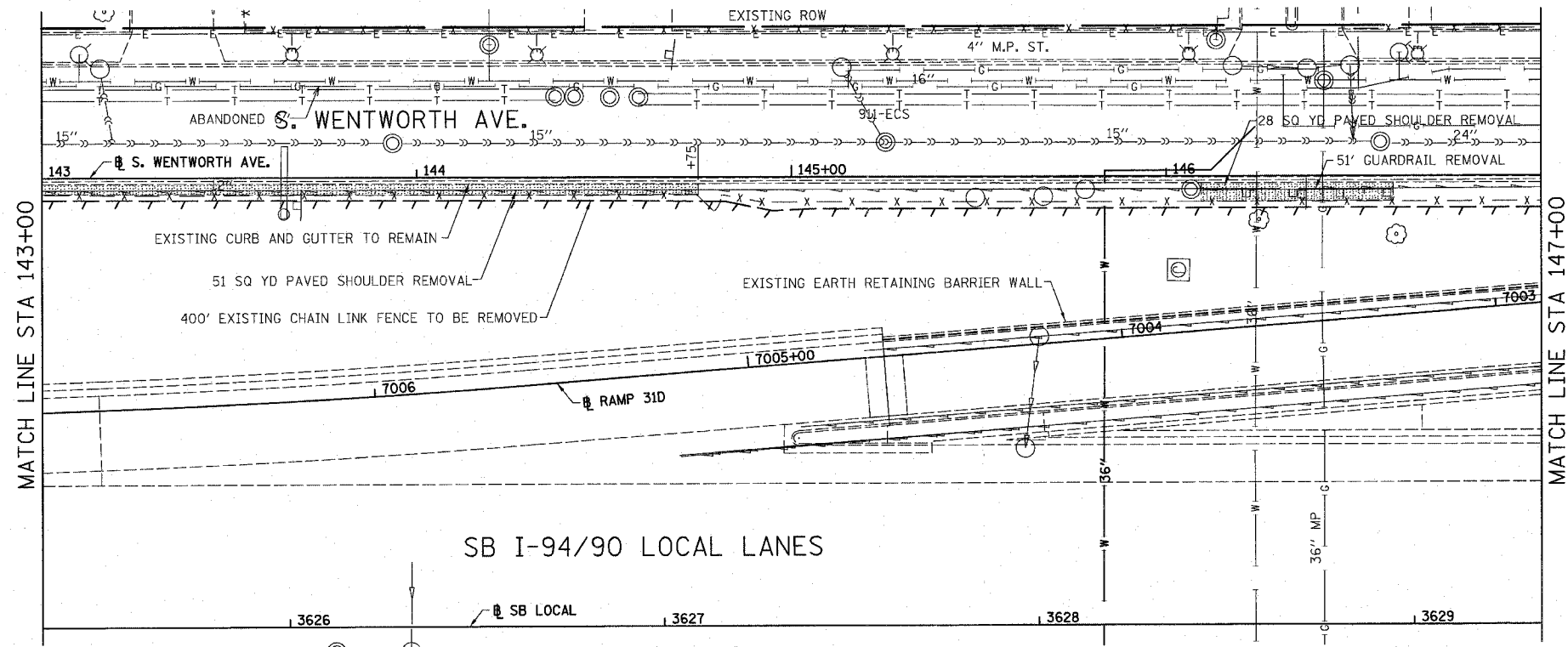
BOWMAN, BARRETT & ASSOCIATES INC.  
CONSULTING ENGINEERS  
Chicago, Illinois  
312.228.0100  
www.bbainc.com

TYP-1

5/29/2008 5:55:05 PM

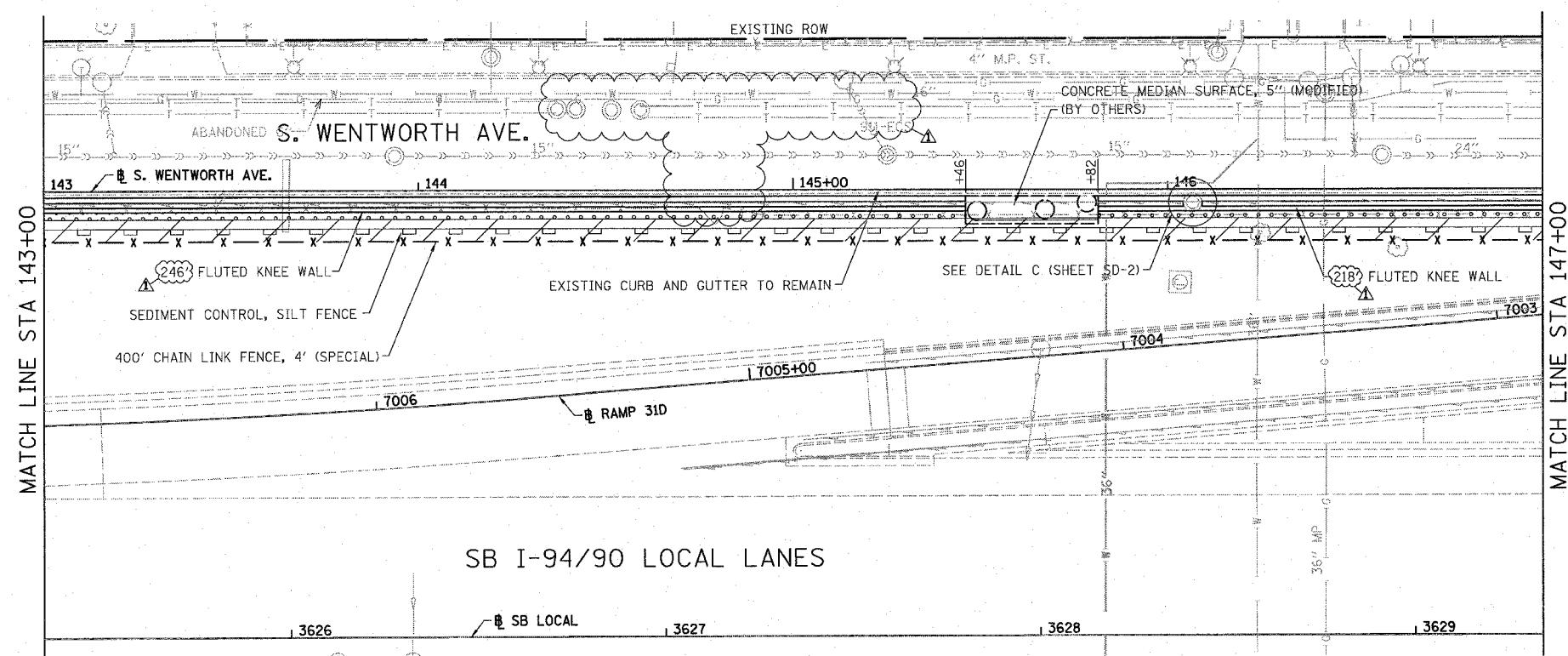


F.A.I.	SECTION	COUNTY	TOTAL SHEETS	SHEET NO.
94/90		COOK	25	11
STA.		TO STA.		
FED. ROAD DIST. NO.		ILLINOIS FED. AID PROJECT		
60A00		2324.6-1P-1-5		



LEGEND:

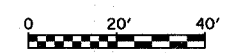
	PAVED SHOULDER REMOVAL
	LINEAR REMOVALS



LEGEND:

	SEEDING, CLASS 2A EROSION CONTROL BLANKET
	TOPSOIL FURNISH AND PLACE, 4" SEEDING, CLASS 2A EROSION CONTROL BLANKET
	TOPSOIL FURNISH AND PLACE, 12" SEEDING, CLASS 2A EROSION CONTROL BLANKET

- NOTES:
- SEE STRUCTURAL DETAIL FOR FLUTED KNEE WALL DETAILS.
  - ALL POINT CALLOUTS ARE TAKEN AT THE EDGE OF THE KNEE WALL BASE.



PL-2

REVISIONS		
NAME	DATE	
REVISOR	3-6-08	
REVISOR	5-30-08	

ILLINOIS DEPARTMENT OF TRANSPORTATION  
F.A.I. 94/90 (DAN RYAN EXPRESSWAY)  
SOUTHBOUND KNEE WALLS (33RD ST TO 31ST ST)

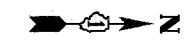
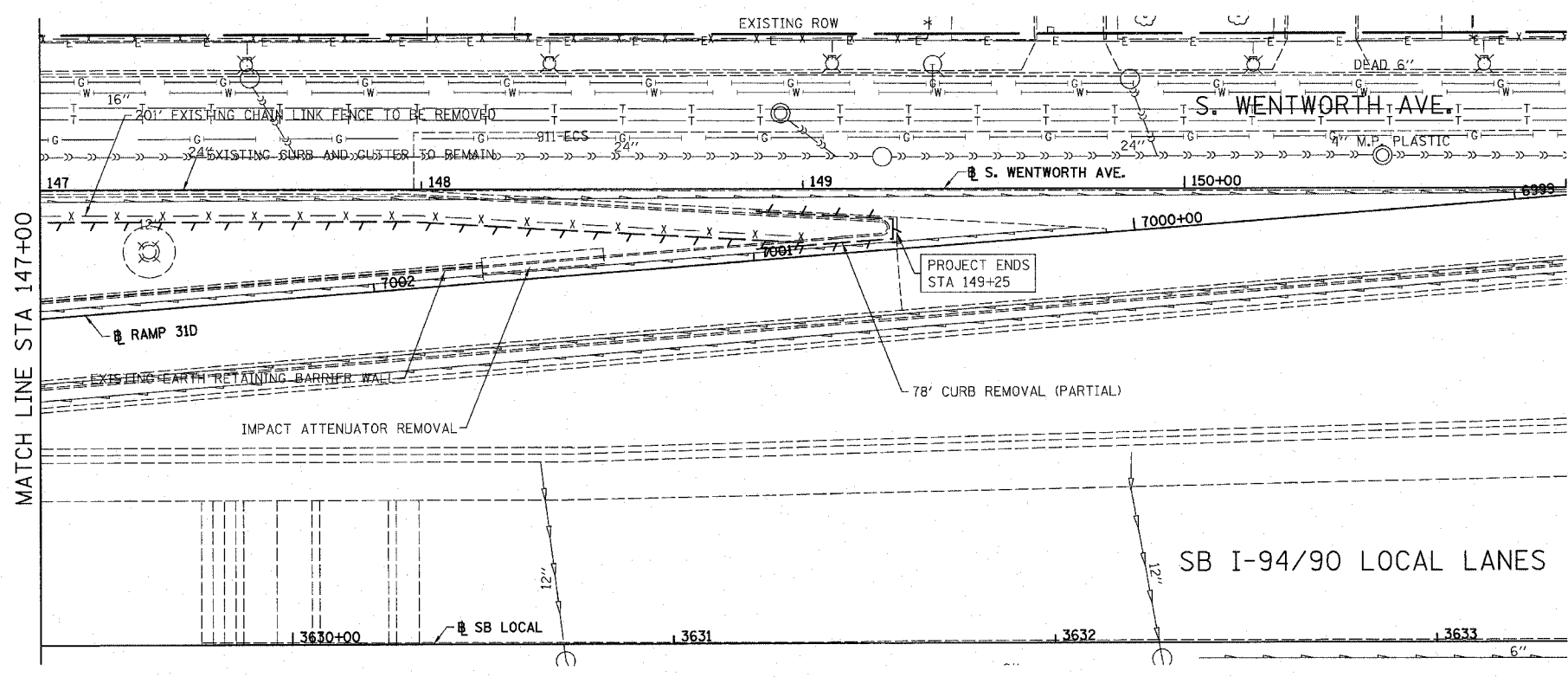
EXISTING AND PROPOSED  
KNEE WALL PLANS

SCALE: 1"=20'  
DATE: 03/06/08  
DRAWN BY: JDC  
CHECKED BY: DDM

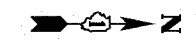
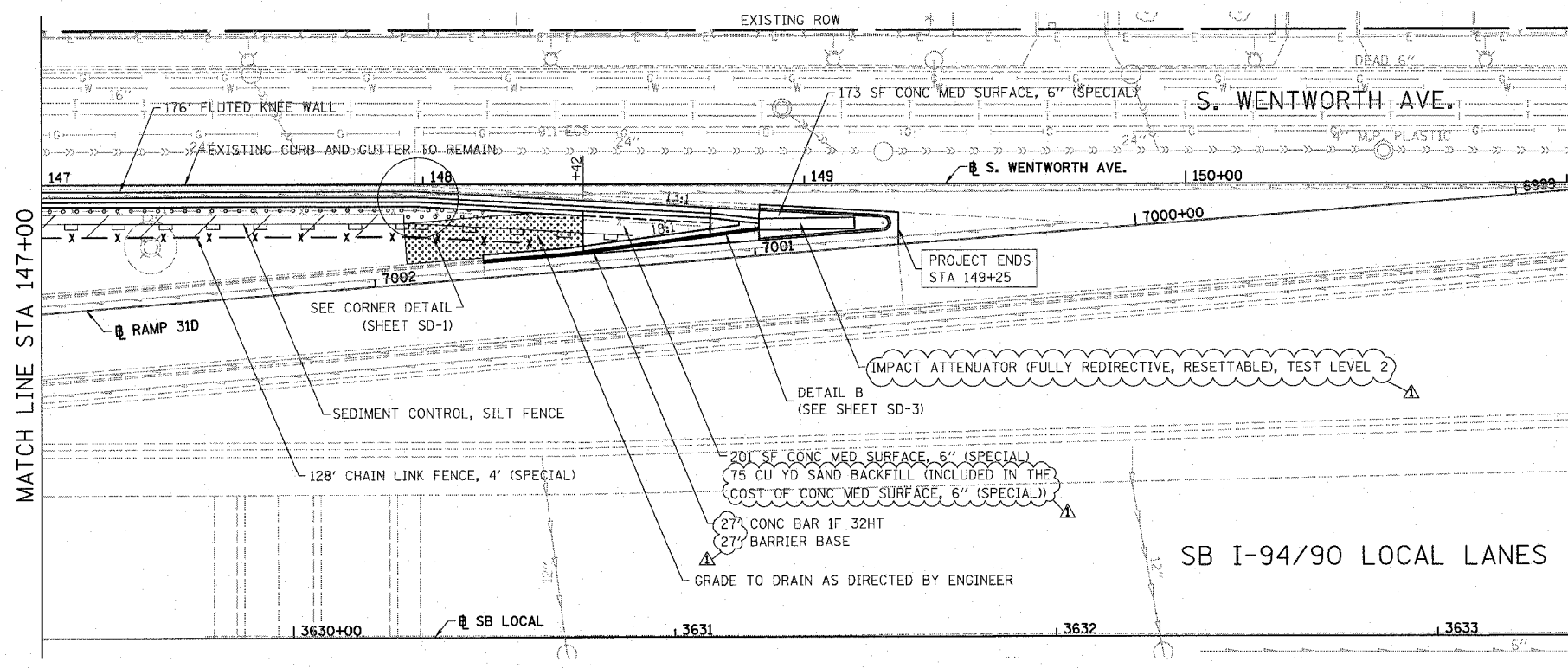
BOWMAN, BARRETT & ASSOCIATES INC.  
CONSULTING ENGINEERS  
Chicago, Illinois  
312.228.0100  
www.bbainc.com

5/28/2008

F.A.I.	SECTION	COUNTY	TOTAL SHEETS	SHEET NO.
94/90		COOK	25	12
STA.		TO STA.		
FED. ROAD DIST. NO.		ILLINOIS	FED. AID PROJECT	
60A00		2324.6-1P-1-5		

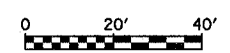


- LEGEND:
- PAVED SHOULDER REMOVAL
  - LINEAR REMOVALS



- LEGEND:
- SEEDING, CLASS 2A  
EROSION CONTROL BLANKET
  - TOPSOIL FURNISH AND PLACE, 4"  
SEEDING, CLASS 2A  
EROSION CONTROL BLANKET
  - TOPSOIL FURNISH AND PLACE, 12"  
SEEDING, CLASS 2A  
EROSION CONTROL BLANKET

- NOTES:
1. SEE STRUCTURAL DETAIL FOR FLUTED KNEE WALL DETAILS.
  2. ALL POINT CALLOUTS ARE TAKEN AT THE EDGE OF THE KNEE WALL BASE.



PL-3

REVISIONS		DATE
REVISOR	NAME	DATE
	REVISOR	3-6-08
	REVISOR	5-30-08

ILLINOIS DEPARTMENT OF TRANSPORTATION  
 F.A.I. 94/90 (DAN RYAN EXPRESSWAY)  
 SOUTHBOUND KNEE WALLS (33RD ST TO 31ST ST)

EXISTING AND PROPOSED  
 KNEE WALL PLANS

SCALE: 1"=20'  
 DATE: 03/06/08

DRAWN BY: JDC  
 CHECKED BY: DDM

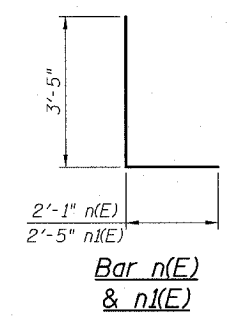
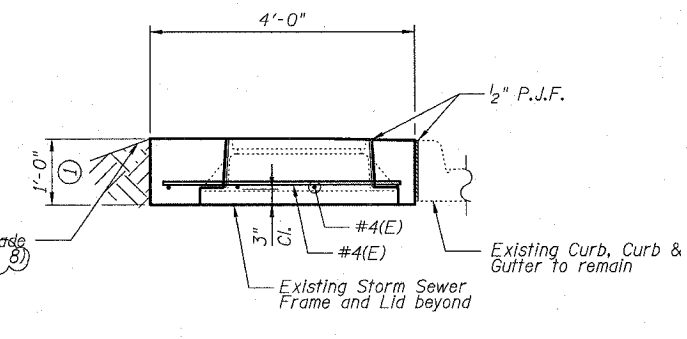
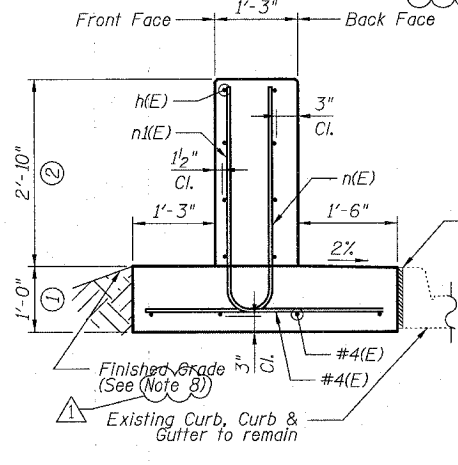
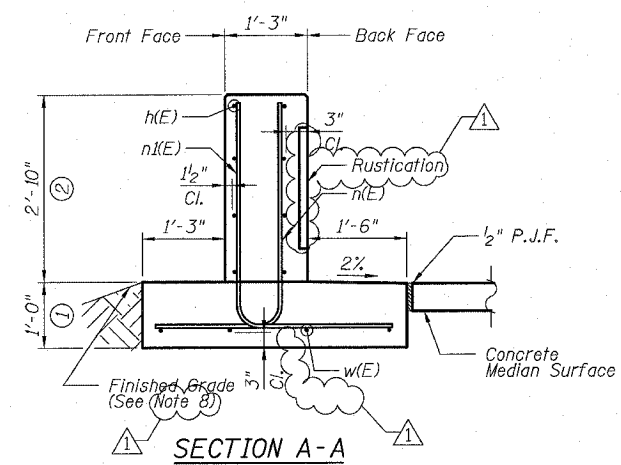
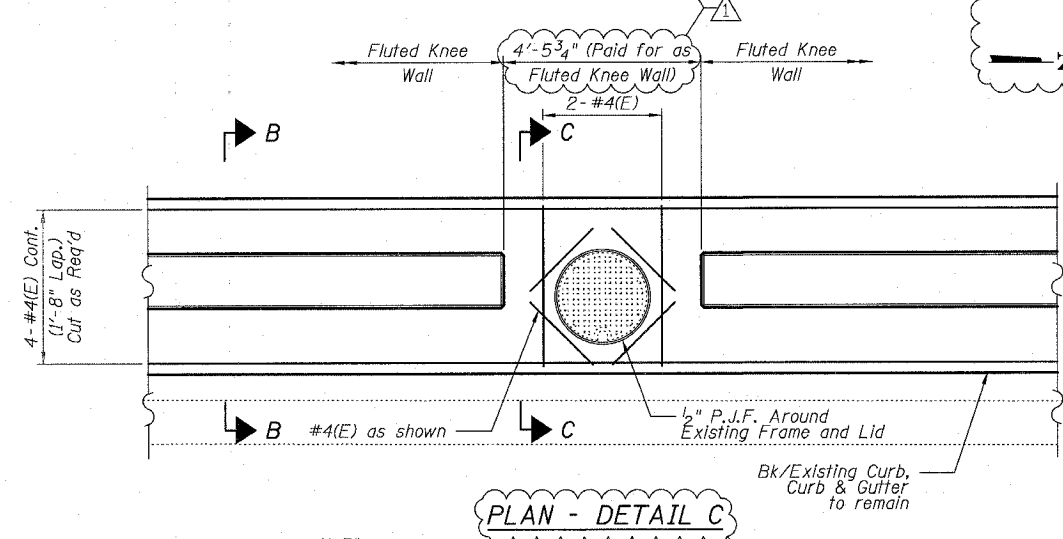
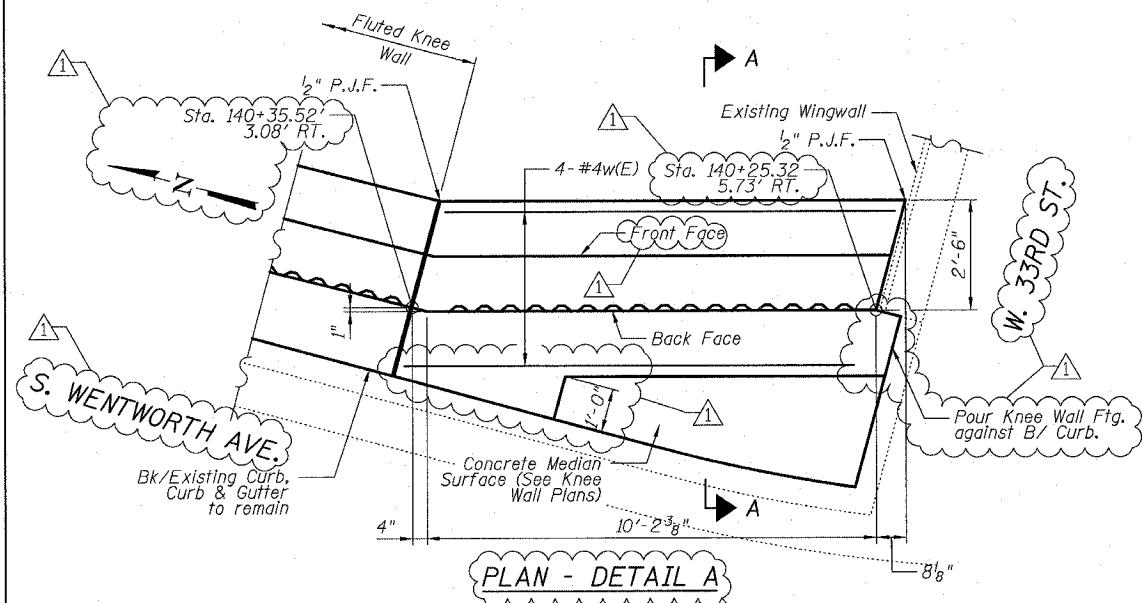
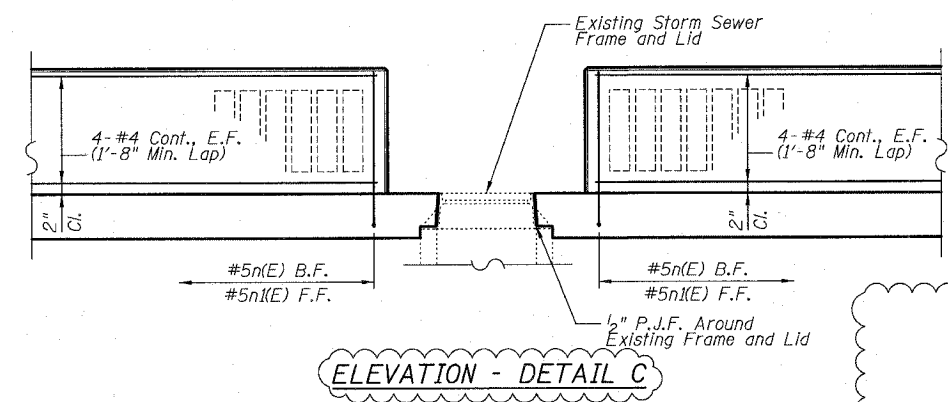
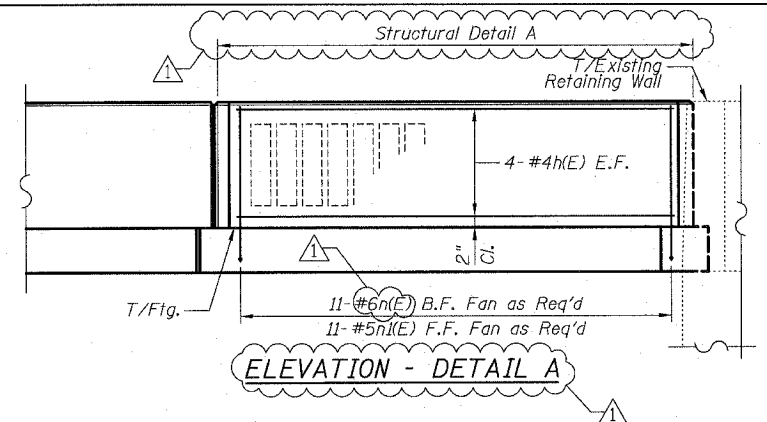
BOWMAN, BARRETT & ASSOCIATES INC.  
 CONSULTING ENGINEERS  
 Chicago, Illinois  
 312.228.0100  
 www.bbandainc.com

7/26/08 PM 5/28/2008

F.A.I.	SECTION	COUNTY	TOTAL SHEETS	SHEET NO.
94/90	*	COOK	25	14
STA.	TO STA.			
FED. ROAD DIST. NO.	ILLINOIS FED. AID PROJECT			

60A00  
**DETAIL A REINFORCEMENT SCHEDULE AND BILL OF MATERIAL**

Bar	No.	Size	Length	Shape
n(E)	8	#4	10'-3"	—
n(E)	11	#6	5'-6"	L
n(E)	11	#5	5'-10"	L
w(E)	4	#4	10'-3"	—
Item	Unit	Qty.		
① Concrete Structures	Cu. Yd.	1.6		
② Concrete Superstructure	Cu. Yd.	1.4		
Reinforcement Bars, Epoxy Coated	Pound	240		
Rustication Finish	Sq. Ft.	17		
Protective Coat	Sq. Yd.	7		



**NOTES:**

- All stations and offsets measured from S. Wentworth Ave.
- Concrete: f'c = 3500 psi
- Provide California Finish on top of foundation between stem and Frontage Road. See Roadway Details
- At locations where Fluted Knee Wall abuts a rigid structure, a 1" thick Preformed Expansion Joint Filler conforming to the shape of the Structure shall be installed between the Wall and the Structure.
- Apply Protective Coat to top and back face of stem and top of Frontage Road side of Foundation.
- For Fluted Knee Wall standard details, see Sheet SD-1
- B.F. = Back Face  
F.F. = Front Face  
E.F. = Each Face
- Shape finished grade as required to match existing conditions.
- P.J.F. included in cost of concrete structures.
- All items included in Detail C shall be included in the cost of Fluted Knee Wall.

REVISIONS	
NAME	DATE
REVISED	3-6-08
ADDENDUM 1	5-30-08

SHEET SD-2

ILLINOIS DEPARTMENT OF TRANSPORTATION  
**F.A.I. 94/90 (DAN RYAN EXPRESSWAY)**  
 (SOUTHBOUND KNEE WALLS (33RD ST TO 31ST ST))

**DETAIL A & DETAIL C**

SCALE: N.T.S.      DRAWN BY: PAH  
 DATE: 03/06/08      CHECKED BY: BLU

BOWMAN, BARRETT & ASSOCIATES INC.  
 CONSULTING ENGINEERS  
 Chicago, Illinois  
 312.228.0100  
 www.bbainc.com

