

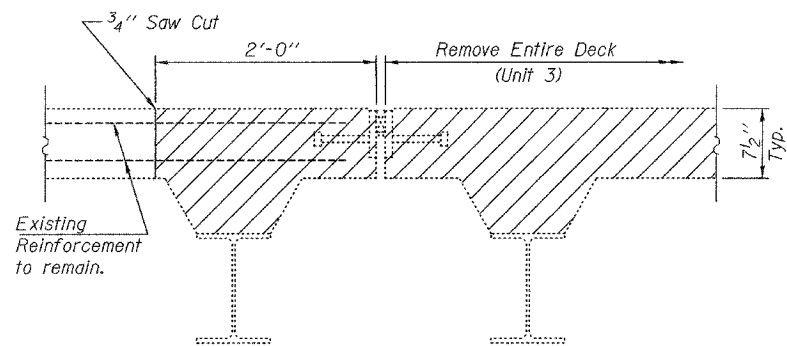
STATE OF ILLINOIS  
DEPARTMENT OF TRANSPORTATION

ROUTE NO.	SECTION	COUNTY	SHEET NO.	SHEET TOTAL
FAI 94	*	COOK	30	7
FED. ROAD DIST. NO. 7	ILLINOIS	FED. AID PROJECT-		

SHEET NO. 4

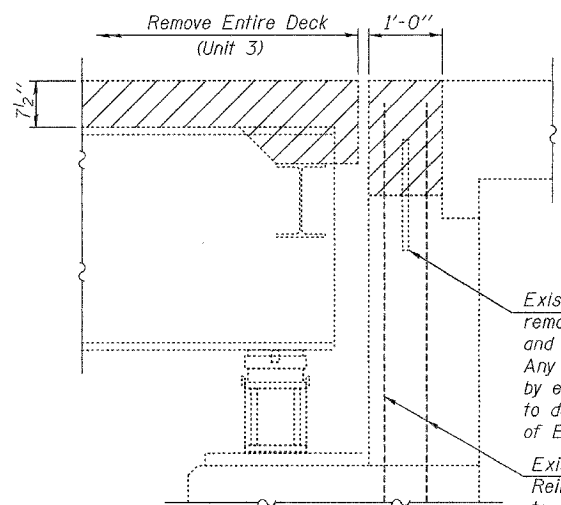
15 SHEETS

Contract Number: 60E12  
\* 1111-700 HB-BR



SECTION A-A  
(Showing Concrete Removal)

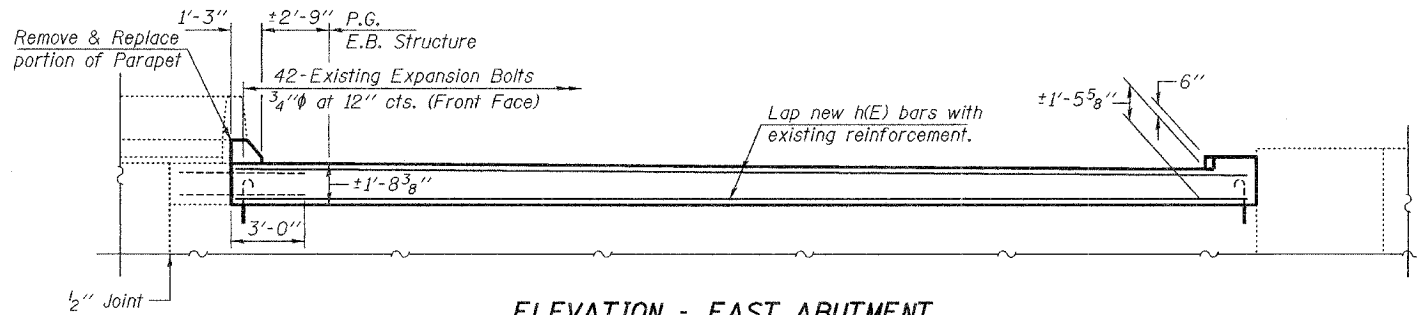
Note:  
Hatched areas indicate Concrete Removal and will be paid for as Removal of Existing Concrete Deck.



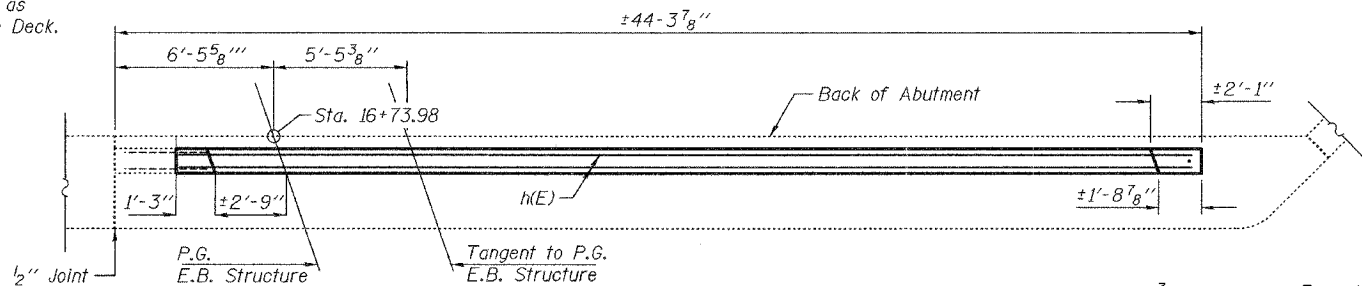
SECTION B-B  
(Showing Concrete Removal)

Existing expansion bolts extending into the removal area shall be cleaned, straightened and incorporated into the new construction. Any expansion bolts damaged shall be replaced by epoxy grouting #6 (E) bars (9" min.) adjacent to damaged bolt. Cost included with Removal of Existing Concrete Deck.

Existing Reinforcement to remain.



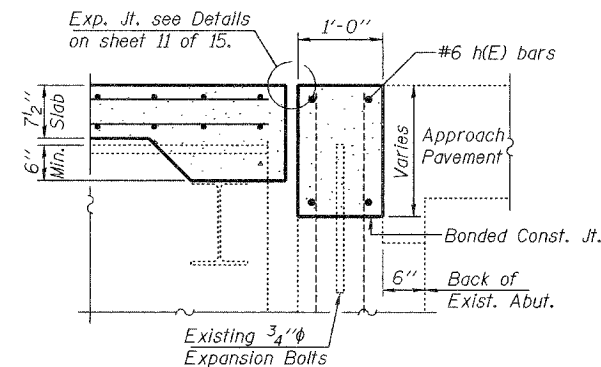
ELEVATION - EAST ABUTMENT



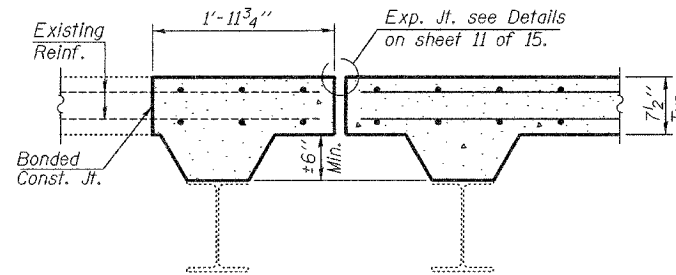
PLAN - EAST ABUTMENT

MIN. BAR LAP

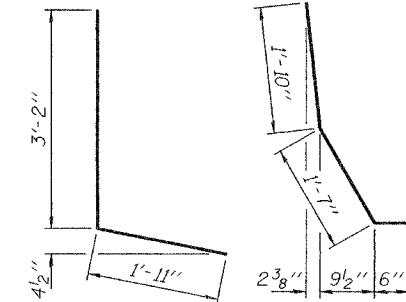
#5 bars = 2'-2"  
#6 bars = 2'-7"



SECTION B-B SECTION THRU EAST ABUTMENT

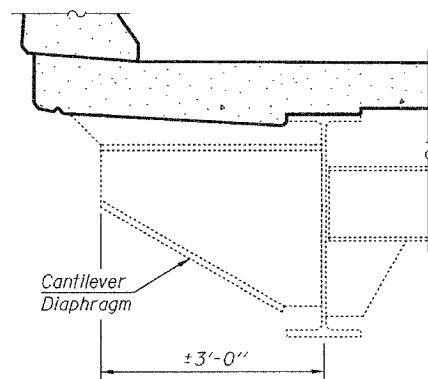


SECTION A-A SECTION AT PIN CONNECTION 2

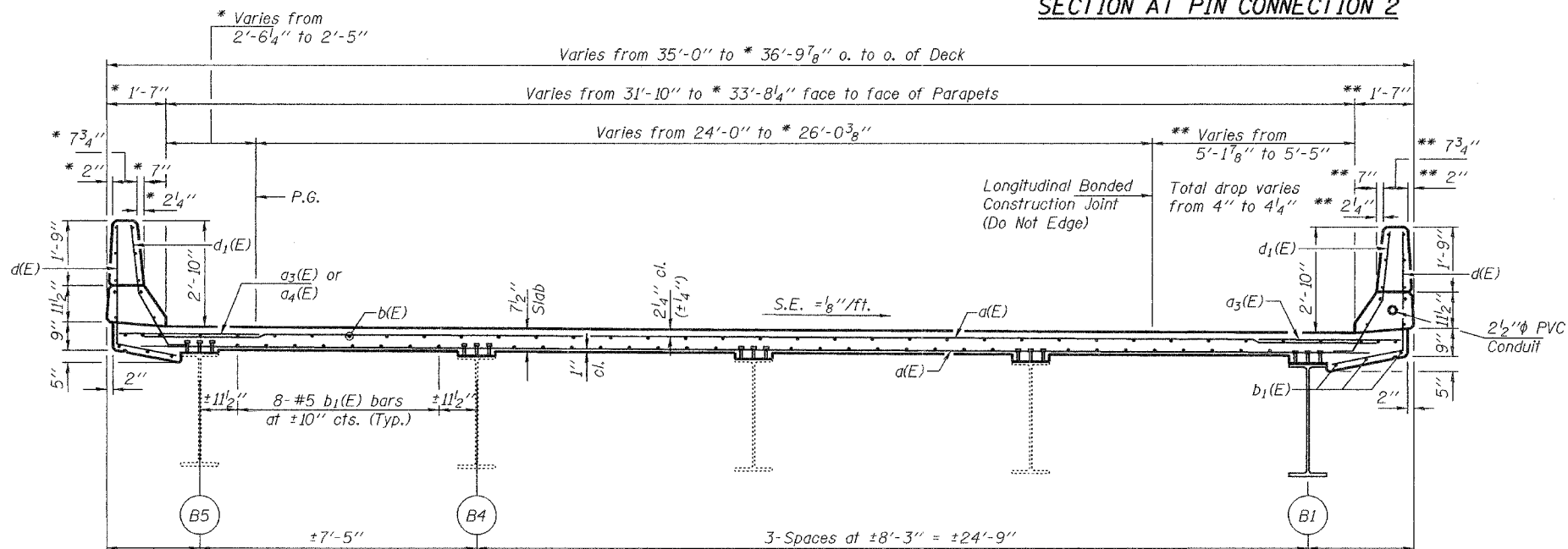


BAR d(E)

BAR d1(E)



SECTION C-C



CROSS SECTION (Looking East)

\* Radial only to Curve A-1 at curved portion.  
\*\* Radial only to Curve A-2 at curved portion.

BILL OF MATERIAL

Bar	No.	Size	Length	Shape
d(E)	177	#5	33'-0"	
a1(E)	8	#5	18'-10"	
a2(E)	4	#5	21'-3"	
a3(E)	94	#6	4'-0"	
a4(E)	42	#6	7'-0"	
b(E)	76	#5	26'-4"	
b1(E)	114	#5	18'-4"	
d(E)	104	#4	5'-1"	
d1(E)	112	#5	3'-11"	
d2(E)	19	#4	3'-0"	
d3(E)	3	#5	3'-8"	
h(E)	8	#6	22'-3"	
Concrete Superstructure		Cu. Yd.	45.3	
Reinforcement Bars, Epoxy Coated		Pound	12,630	

Bars indicated thus 1 x 2-#5 etc. indicates 1 line of bars with 2 lengths per line.

SUPERSTRUCTURE & ABUTMENT DETAILS  
115th ST. OVER FAI RT. 94  
COOK COUNTY  
SN 016-2042

DESIGNED	ATH
CHECKED	VHV
DRAWN	Steffen
CHECKED	ATH VHV

MAY 16, 2008  
EXAMINED *A. Carl Proyer*  
ENGINEER OF STRUCTURAL SERVICES  
PASSED *Ralph E. Anderson*  
ENGINEER OF BRIDGES AND STRUCTURES