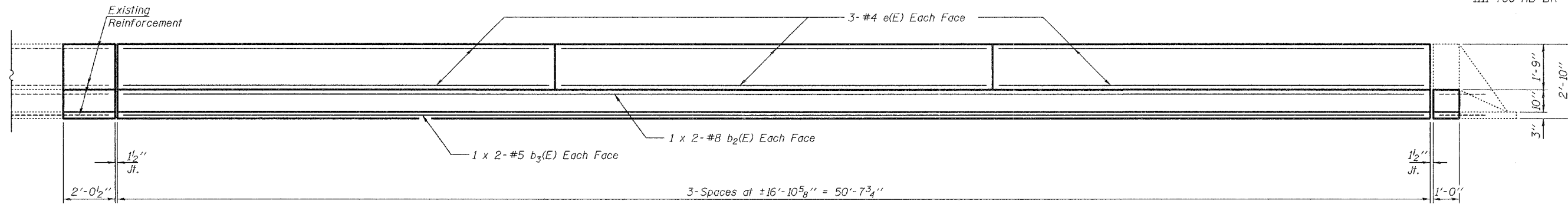
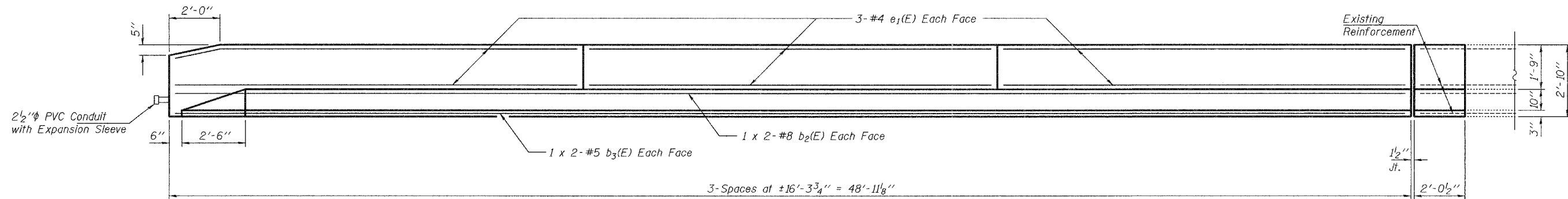


STATE OF ILLINOIS
DEPARTMENT OF TRANSPORTATION

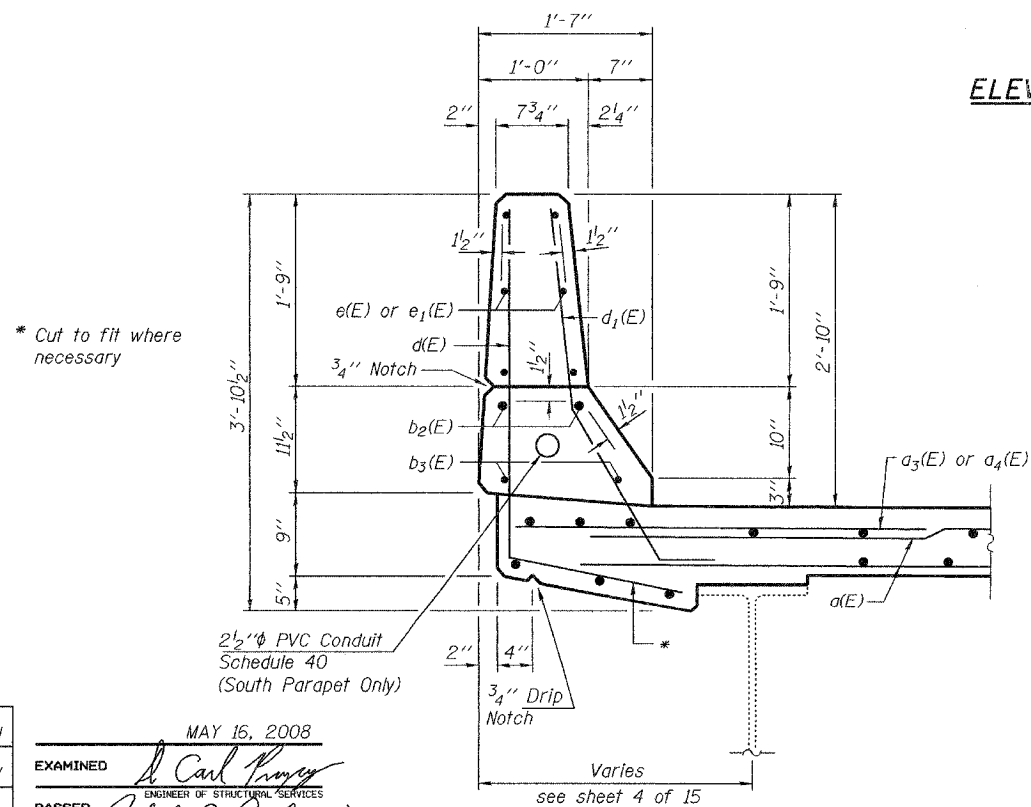
ROUTE NO.	SECTION	COUNTY	SHEET	SHEET
FAI 94	*	COOK	30	8
SHEET NO. 5 15 SHEETS				
Contract Number: 60E12 * 1111-700 HB-BR				



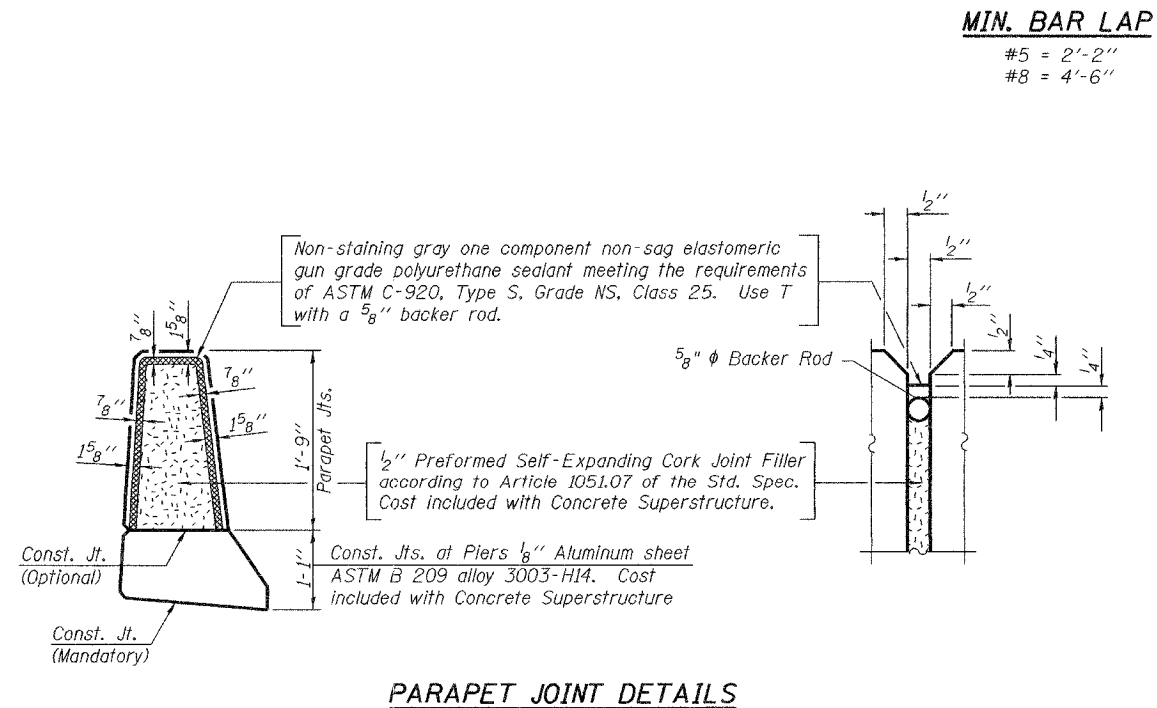
ELEVATION OF NORTH PARAPET



ELEVATION OF SOUTH PARAPET



SECTION THRU PARAPET



PARAPET JOINT DETAILS

MIN. BAR LAP
#5 = 2'-2"
#8 = 4'-6"

BILL OF MATERIAL

Bar	No.	Size	Length	Shape
b ₂ (E)	8	#8	27'-6"	—
b ₃ (E)	8	#5	26'-3"	—
e(E)	18	#4	16'-6"	—
e ₁ (E)	18	#4	16'-0"	—
Concrete Superstructure		Cu. Yd.	10.5	
Reinforcement Bars, Epoxy Coated		Pound	1200	

Bars indicated thus 1 x 2-#5 etc. indicates 1 line of bars with 2 lengths per line.

PARAPET DETAILS
115th ST. OVER FAI RT. 94
COOK COUNTY
SN 016-2042

DESIGNED	ATH
CHECKED	VHV
DRAWN	Steffen
CHECKED	ATH VHV

MAY 16, 2008
EXAMINED *Carl Proyer*
ENGINEER OF STRUCTURAL SERVICES
PASSED *Ralph E. Anderson*
ENGINEER OF BRIDGES AND STRUCTURES