

* Granular or solid flux filled headed studs conforming to Article 1006.32 of the Std. Specs., automatically end welded.

** When joint is fixed, dimension is set at 1 1/2".

STATE OF ILLINOIS
DEPARTMENT OF TRANSPORTATION

ROUTE NO.	SECTION	COUNTY	SHEET	SHEET NO.
FAI 94	*	COOK	30	14
FED. ROAD DIST. NO. 7	ILLINOIS	FED. AID PROJECT		

Contract Number: 60E12
* IIII-700 HB-BR

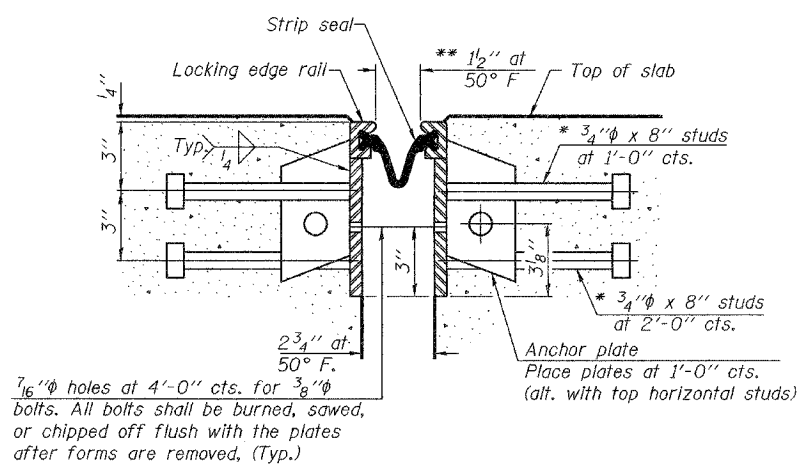
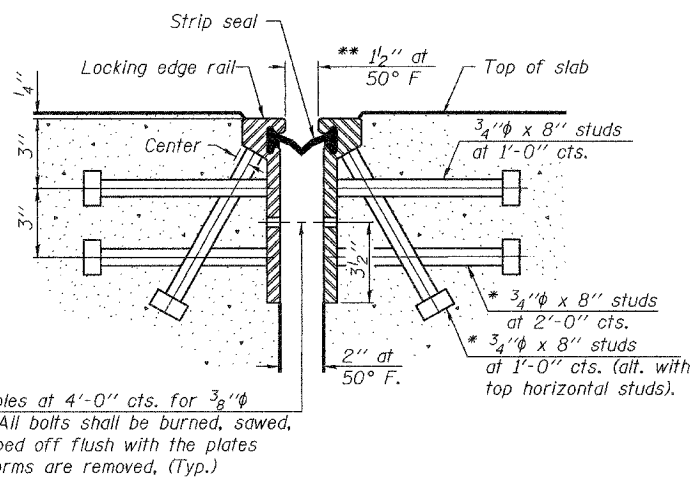
Notes:

The strip seal shall be made continuous and shall have a minimum thickness of 1/4". The configuration of the strip seal shall match the configuration of the Locking Edge Rails. Open or "webbed" strip seal gland configurations are not permitted. The gland shall be sized for a maximum rated movement of 4 inches.

The height and thickness of the Locking Edge Rails shown are minimum dimensions. The actual configuration of the Locking Edge Rails and matching strip seal may vary from manufacturer to manufacturer. Flanged edge rails will not be allowed. Locking Edge Rails may be spliced at slope discontinuities and stage construction joints.

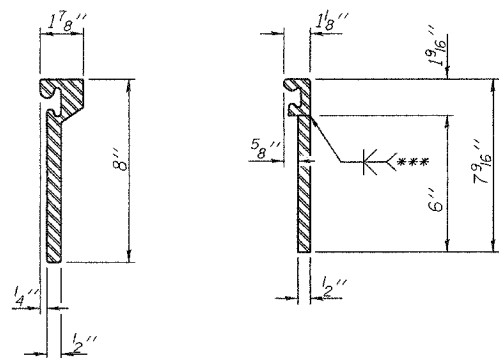
The manufacturer's recommended installation methods shall be followed. The joint opening and deck dimensions detailed on the superstructure are based on a rolled rail expansion joint. If the Contractor elects to use the welded rail expansion joint, the opening and deck dimensions shall be modified according to the dimensions detailed on this sheet. Required modifications shall be made at no additional cost to the State.

All steel components shall be galvanized after fabrication according to Article 520.03 of the Standard Specifications.

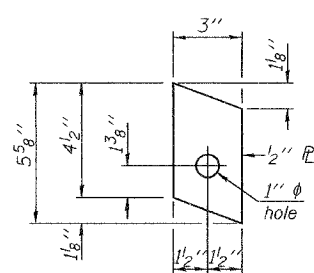


SECTION THRU
ROLLED RAIL JOINT

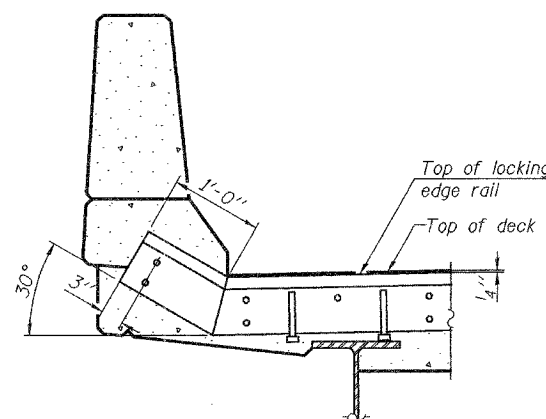
SECTION THRU
WELDED RAIL JOINT



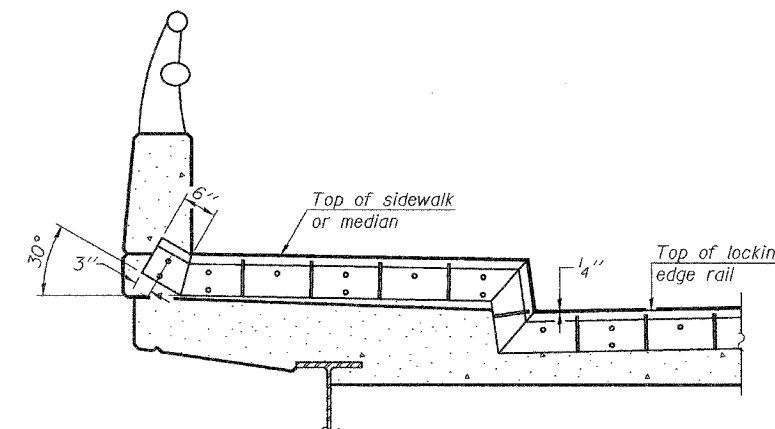
*** Back gouge not required if complete joint penetration is verified by mock-up.



ANCHOR PLATE
(for welded rail)



AT PARAPET



AT SIDEWALK OR MEDIAN

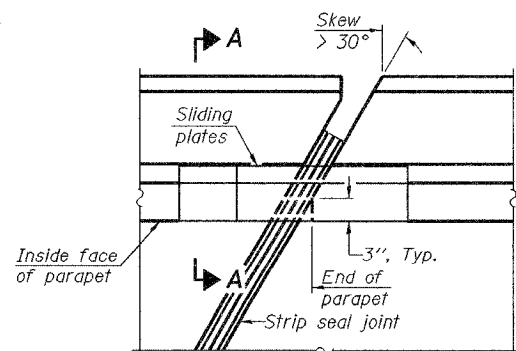
Shorter plates with a single row of studs at 12" cts. may be necessary on medians which are shallower than 9". See manufacturer's recommendation.

ROLLED
(EXTRUDED) RAIL WELDED RAIL

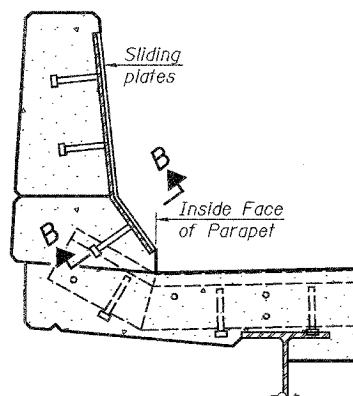
LOCKING EDGE
RAIL SPLICE

The inside of the locking edge rail groove shall be free of weld residue.

LOCKING EDGE RAILS



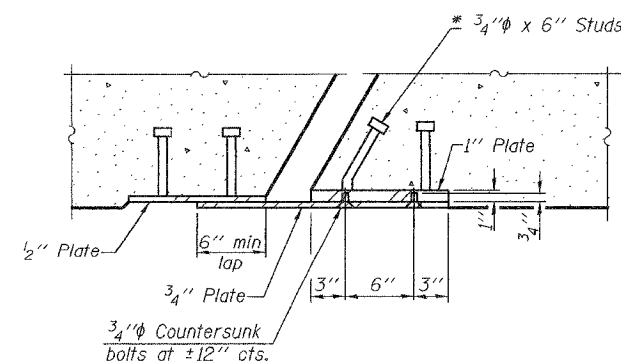
PLAN



SECTION A-A

POINT BLOCK DETAILS
(for skews > 30°)

TYPICAL END TREATMENTS



SECTION B-B

BILL OF MATERIAL

Item	Unit	Total
Preformed Joint Strip Seal	Foot	75

DESIGNED	ATH
CHECKED	VHV
DRAWN	Steffen
CHECKED	ATH VHV

MAY 16, 2008
EXAMINED *Carl Perry*
ENGINEER OF STRUCTURAL SERVICES
PASSED *Ralph E. Anderson*
ENGINEER OF BRIDGES AND STRUCTURES

EJ-SSJ

9-3-07

PREFORMED JOINT
STRIP SEAL DETAILS
115th ST. OVER FAI RT. 94
COOK COUNTY
SN 016-2042