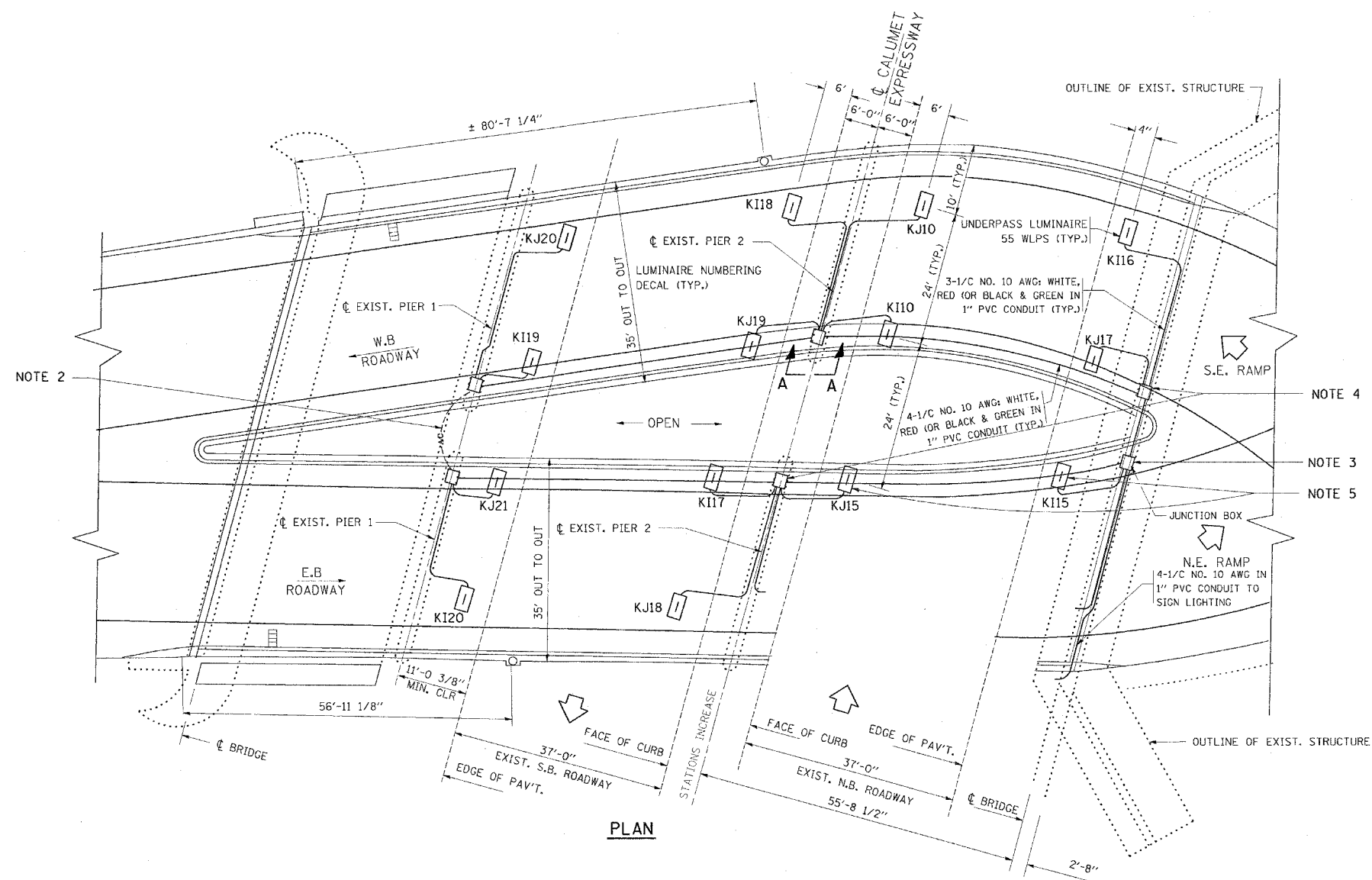


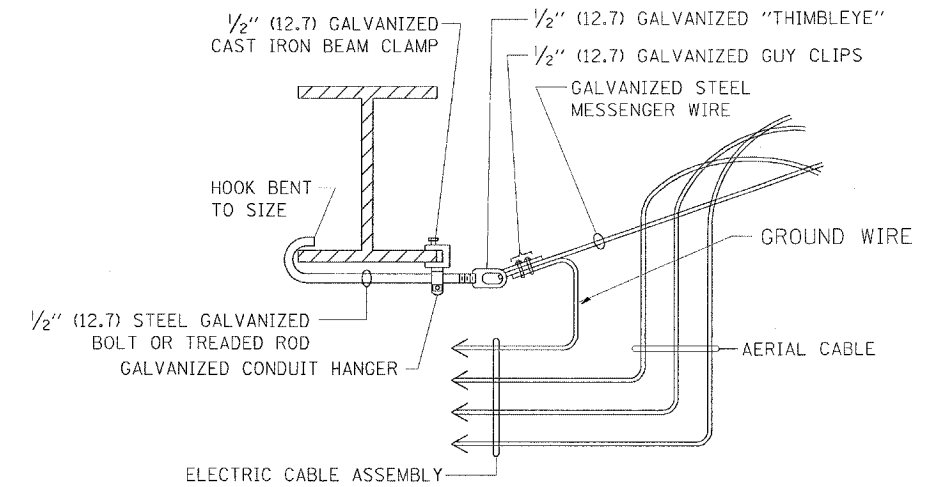
EXISTING



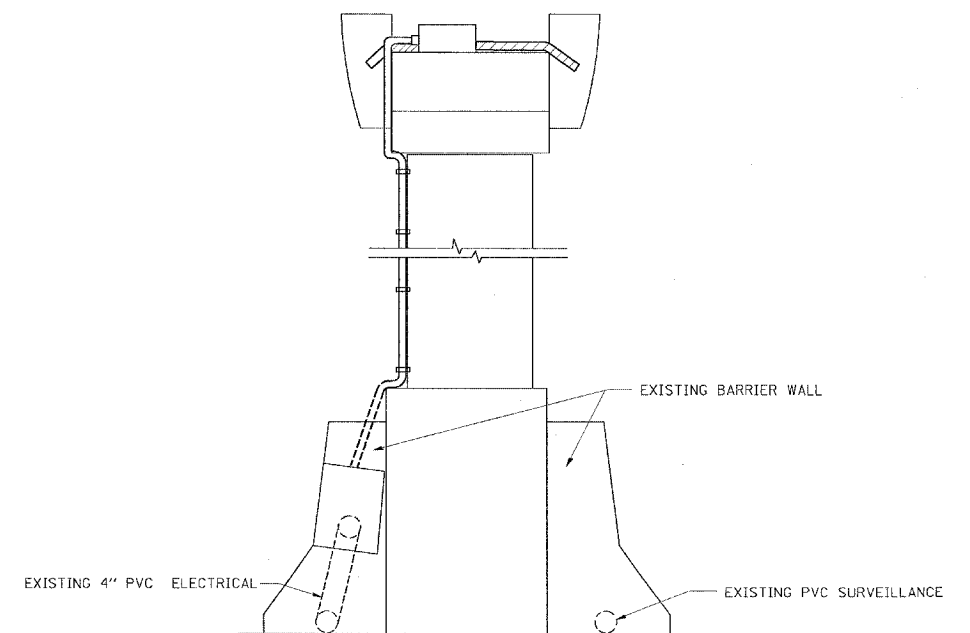
PLAN

NOTES:

1. UNDERPASS LIGHTING ON 115th STREET IS POWERED FROM CONTROLLER K LOCATED ON THE SOUTHBOUND I-94 ENTRANCE RAMP AT 111th STREET.
2. TEMPORARY AERIAL CABLE SHALL BE INSTALLED BETWEEN THE EXISTING JUNCTION BOXES.  
THE COST OF SPLICES AND MOUNTING HARDWARE SHALL BE INCLUDED IN THE UNIT PRICE FOR AERIAL CABLE.
3. ALL CONDUIT AND CONDUCTORS ON THE NORTHBOUND SECTION OF THE SOUTH BRIDGE AS WELL AS THE HIGHLIGHTED JUNCTION BOX SHALL BE REMOVED AND SCRAPPED.
4. CONDUCTORS SHALL BE TERMINATED AT THE HIGHLIGHTED JUNCTION BOXES AND THE OPENING FROM THE REMOVED CONDUIT SHALL BE PLUGGED TO PREVENT MOISTURE OUT OF THE JUNCTION BOXES DURING CONSTRUCTION.
5. THE HIGHLIGHTED LUMINAIRES SHALL BE REMOVED AND STORED FOR RE-INSTALLATION ONCE THE REPAIR OF THE BRIDGE DECK IS COMPLETE.



AERIAL CABLE ATTACHED TO STRUCTURE  
NOT TO SCALE



SECTION A-A

FILE NAME =  
ca\projects\dl19608\lighting.dgn

USER NAME = poulterma  
PLOT SCALE = 50.0000' / IN.  
PLOT DATE = 4/30/2008

DESIGNED -  
DRAWN -  
CHECKED -  
DATE -

REVISED -  
REVISED -  
REVISED -  
REVISED -

STATE OF ILLINOIS  
DEPARTMENT OF TRANSPORTATION

UNDERPASS LIGHTING DETAILS  
115TH STREET OVER F.A.I. 94 (BISHOP FORD EXPRESSWAY)

SCALE: SHEET NO. 4 OF 8 SHEETS STA. TO STA.

F.A.U. RTE.	SECTION	COUNTY	TOTAL SHEETS	SHEET NO.
1584	1111-700-HB-BR	COOK	30	22
FED. ROAD DIST. NO. 1 ILLINOIS FED. AID PROJECT			CONTRACT NO. 60E12	