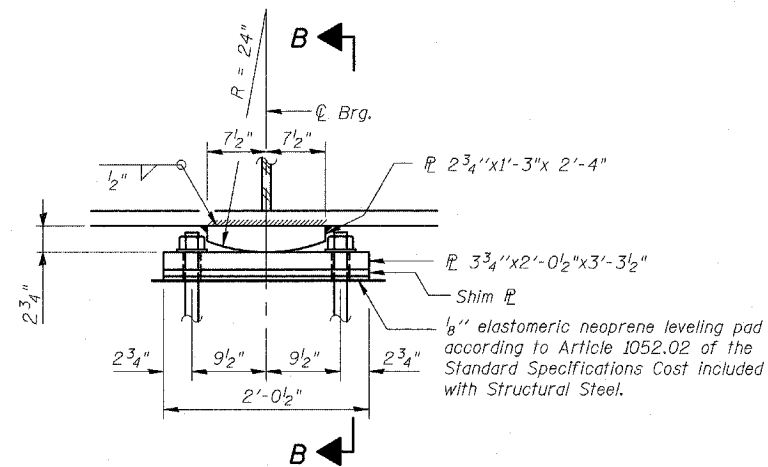


STATE OF ILLINOIS
DEPARTMENT OF TRANSPORTATION

ROUTE NO.	SECTION	COUNTY	TOTAL SHEETS	SHEET NO.
346	*	LAKE	23	22
FED. ROAD DIST. NO.		ILLINOIS	FED. AID PROJECT-	
• 125X-HB-1F		CONTRACT # 60E33		

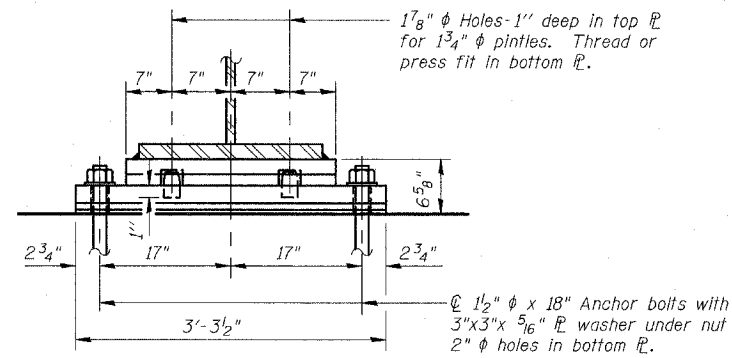
SHEET NO. - S-34
S-66 SHEETS



ELEVATION AT PIER

FIXED BEARING AT PIER 1

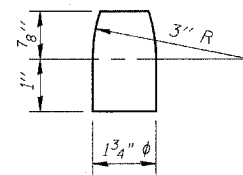
(Cost Included with Furnishing Structural Steel)



SECTION B-B

Notes:

Anchor bolts not included in this contract.



PINTLE

NOTES

1. Structural Steel for the fixed bearing, including pintles, shall be AASHTO M270 Grade 50.
2. Two 1/8" adjusting shims shall be provided for each bearing in addition to all other plates or shims and placed as shown on bearing details.

TYLIN INTERNATIONAL

DESIGNED	- MB
CHECKED	- SP
DRAWN	- MAF
CHECKED	- AD

I-2-E1 9-01-03

FIXED BEARING

FAP 346 (U.S. ROUTE 41 - SKOKIE
HIGHWAY) OVER ILLINOIS ROUTE 132
SECTION 125X-HB-(1&2)R-1
LAKE COUNTY
S.N. 049-0209