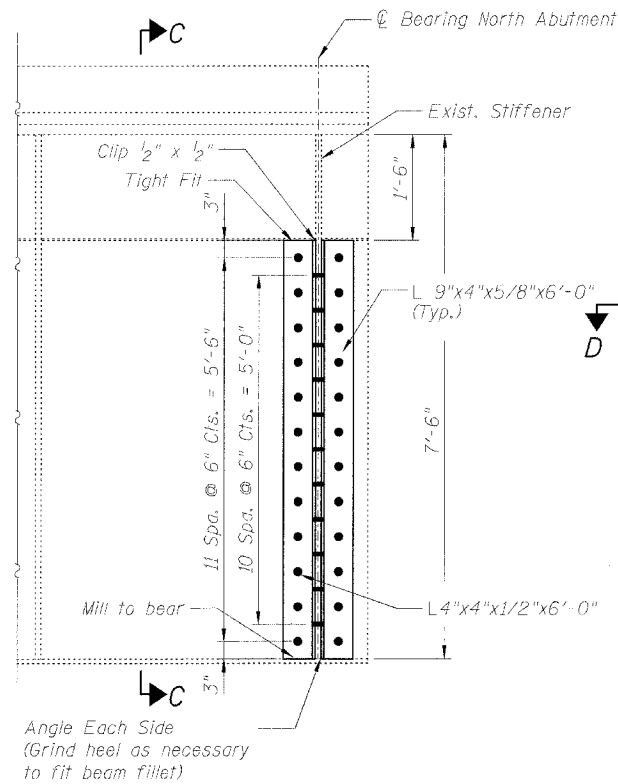


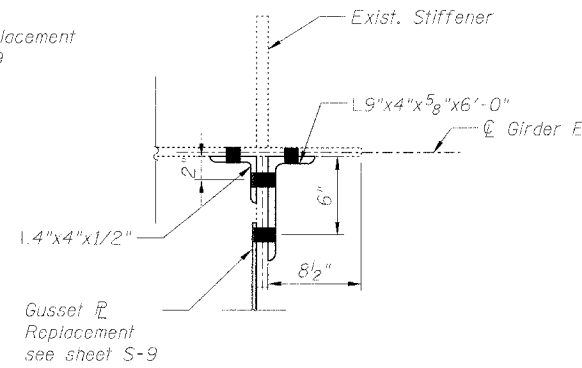
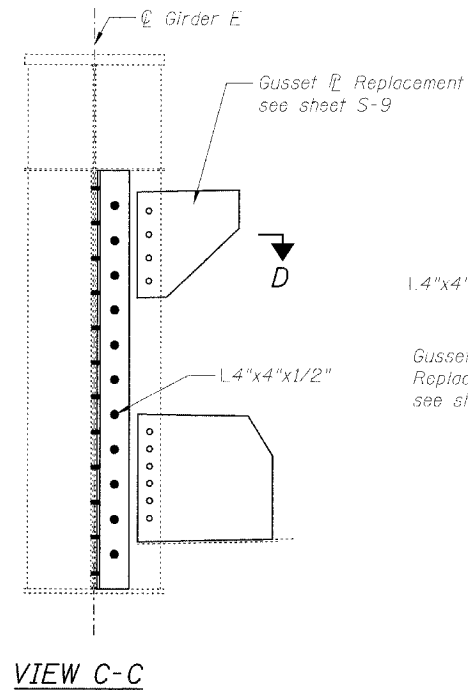
STATE OF ILLINOIS
DEPARTMENT OF TRANSPORTATION

ROUTE NO. FAU 2697	SECTION 2008-018 BR	COUNTY COOK	TOTAL SHEETS 22	SHEET NO. 15	SHEET NO. S-12 S-16 SHEETS
FED. ROAD DIST. NO. 7		ILLINOIS	FED. AID PROJECT		

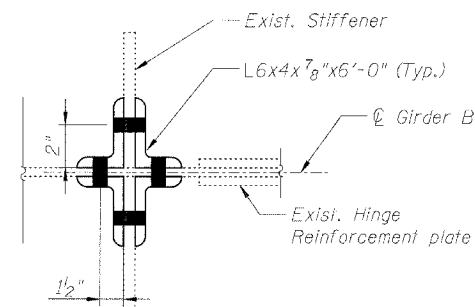
Contract # 60E41



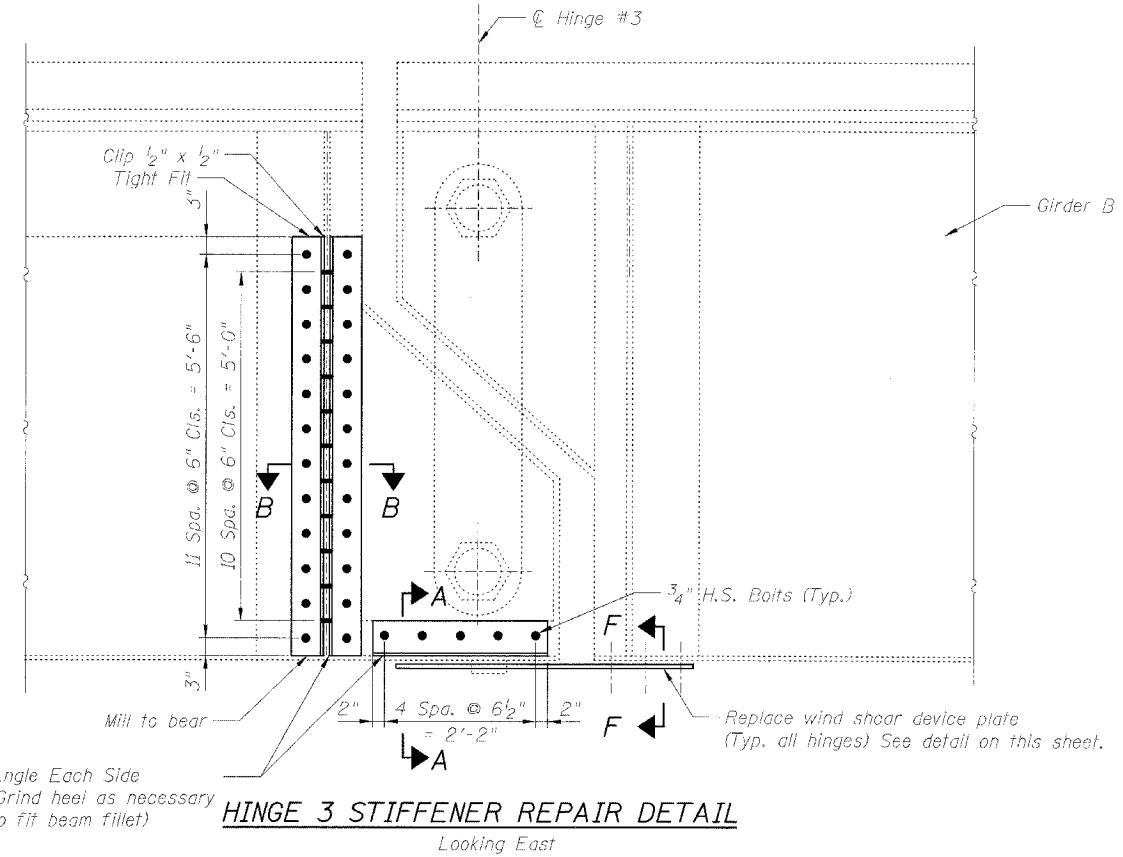
**NORTH ABUTMENT STIFFENER
REPAIR DETAIL**
(Work this repair with the cross frame replacement)



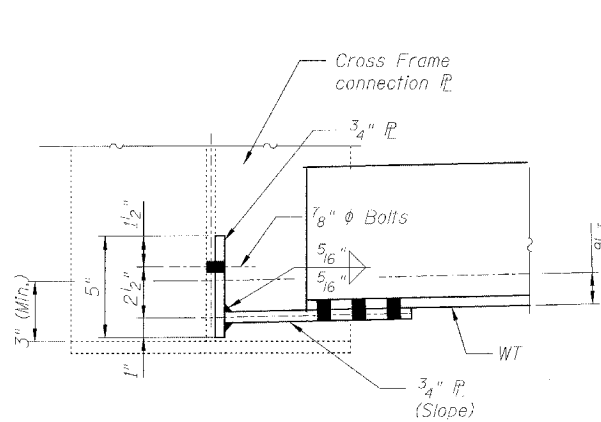
SECTION D-D



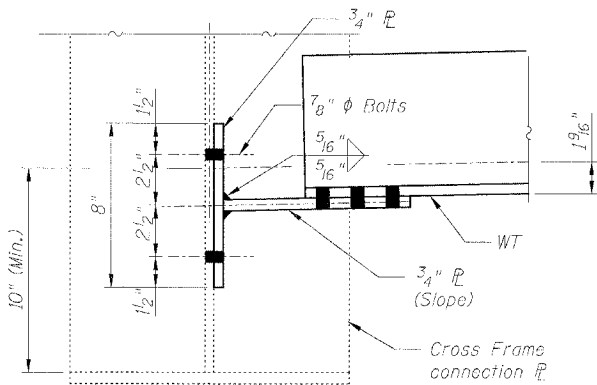
SECTION B-B



HINGE 3 STIFFENER REPAIR DETAIL
Looking East



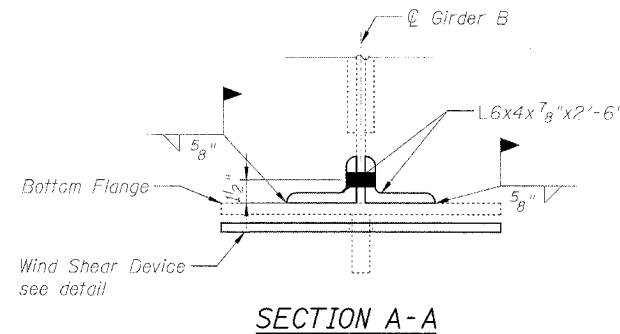
**AT N. ABUTMENT
AND AT PIER 1**



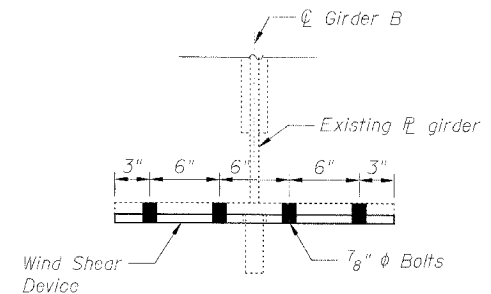
**AT HINGES #3 & #6
AND AT PIER 4**

SECTION X-X

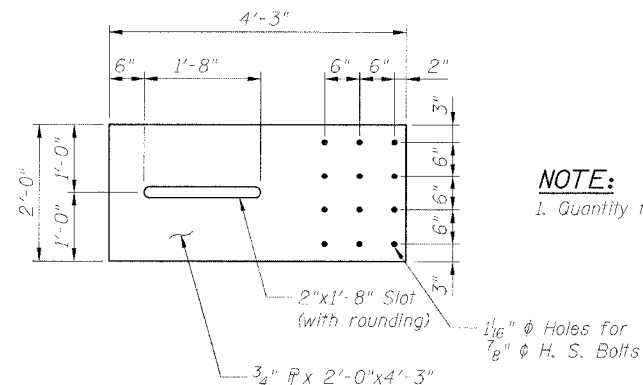
Holes in web to be drilled in the field



SECTION A-A



SECTION F-F



**WIND SHEAR DEVICE DETAIL
(10 TOTAL)**

NOTE:
1. Quantity for steel shown on sheet S-7.

**STEEL REPAIRS VI
FAU 2697 WILLOW SPRINGS ROAD
OVER DES PLAINES RIVER,
CHICAGO SANITARY & SHIP CANAL,
ILLINOIS AND MICHIGAN CANAL,
AND ICG RAILROAD
COOK COUNTY
S.N. 016-0540**

DESIGNED	B. Sauter
CHECKED	E. Mroczek
DRAWN	R. Dunley
CHECKED	B. Sauter



Giorba Group, Inc.
CONSULTING ENGINEERS
5507 North Cumberland Avenue, Suite 402 Chicago, Illinois 60656
Tel. 773.775.4009 Fax 773.775.4014 Email chicago@giorba.com

4/17/2008

N:\P00\132291\32291_301\Design\Structural\040\Steel\Repairs\32291_301\Steel Repairs - 6.sht