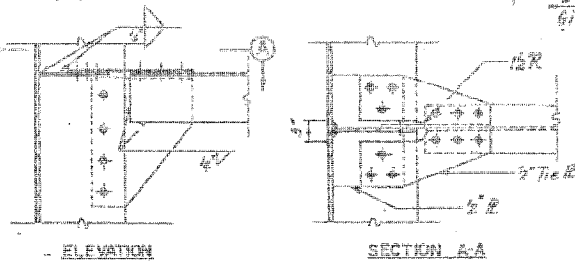
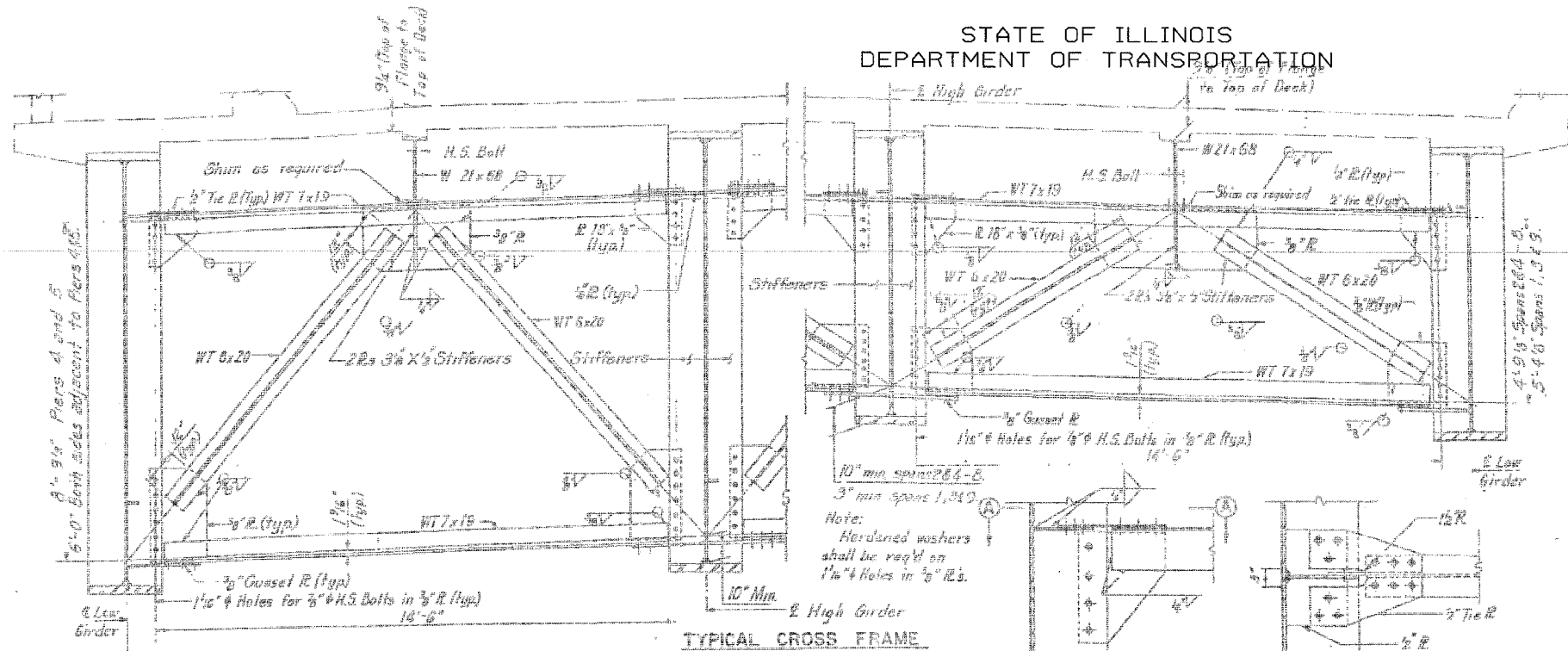


STATE OF ILLINOIS
DEPARTMENT OF TRANSPORTATION

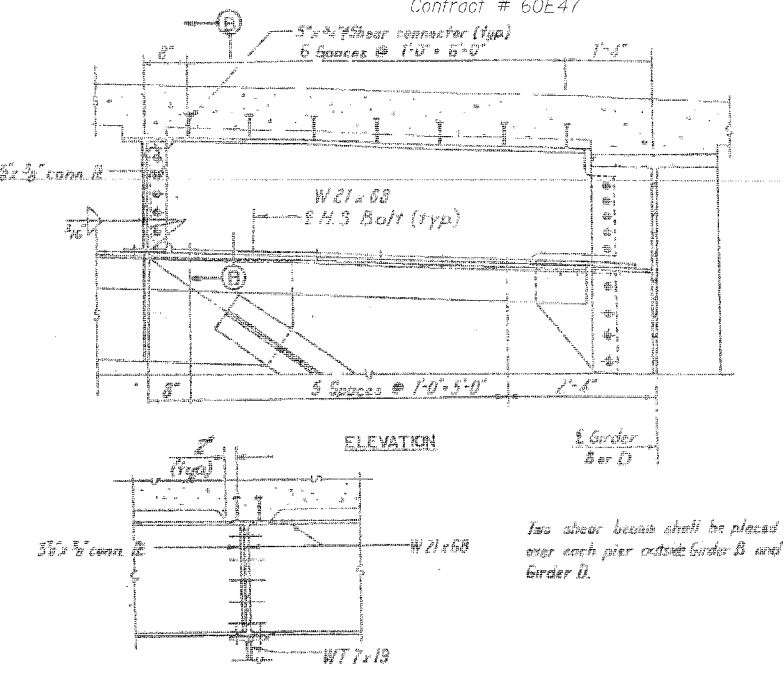
ROUTE NO.	SECTION	COUNTY	TOTAL SHEETS	SHEET NO.
FAU 2697	2008-018 BR	COOK	22	16
FED. ROAD DIST. NO. 7	ALLIANCE	FED. AID PROJECT		

SHEET NO. S-13
S-16 SHEETS

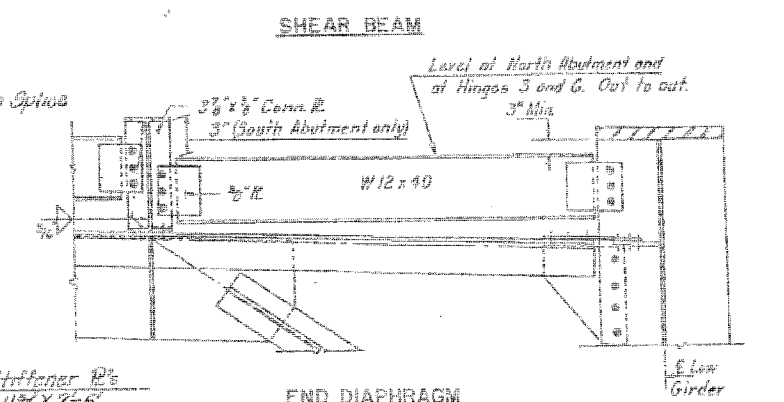
Contract # 60E47



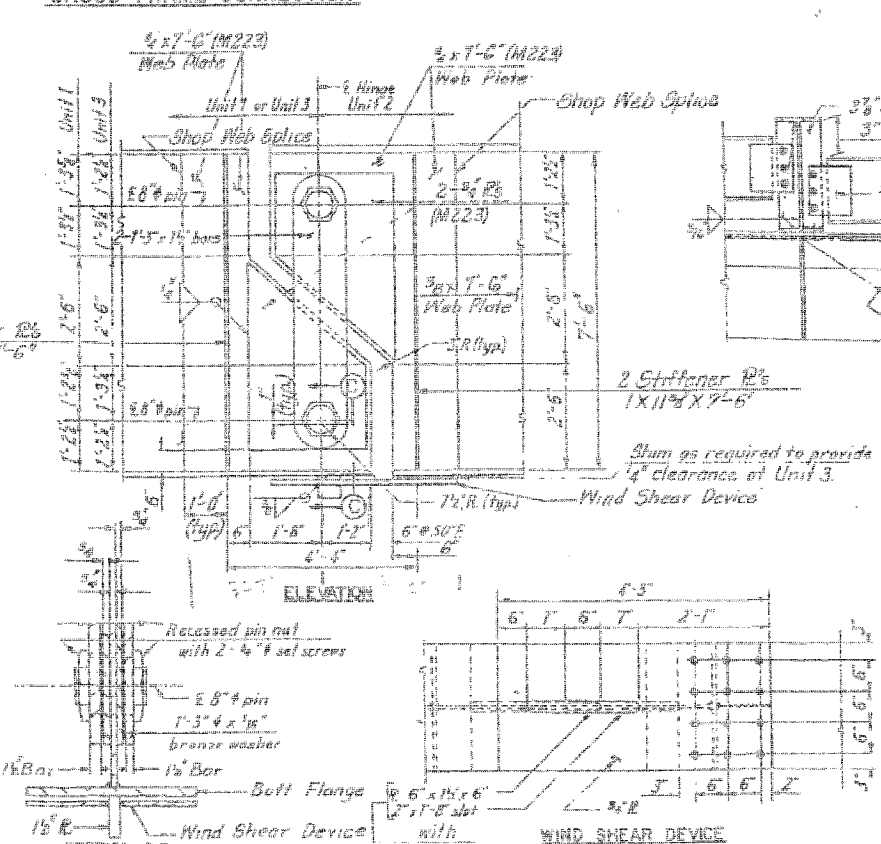
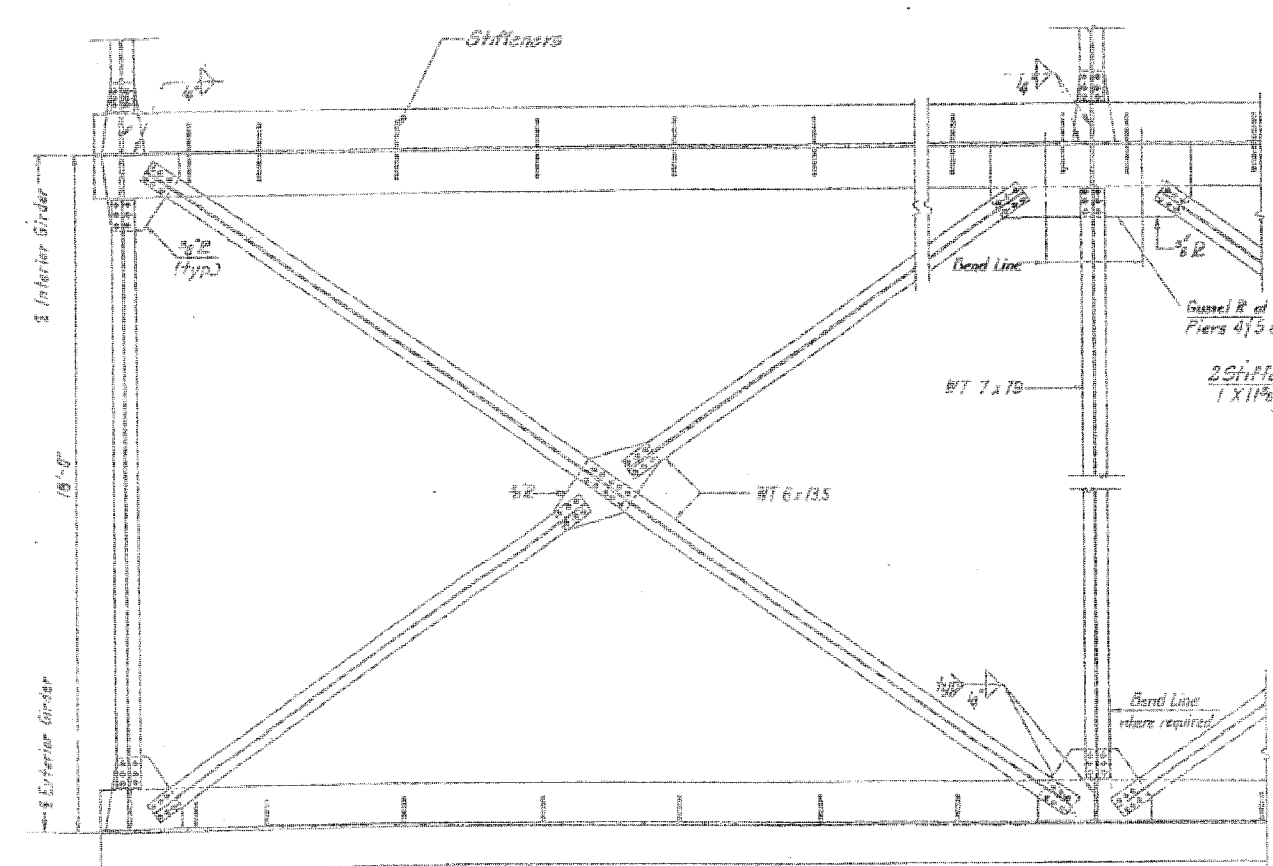
CROSS FRAME CONNECTION



SHEAR BEAM



Notes:
B" pin shall be Alloy Steel Forging ASTM A-237, Class C, normalized and tempered. Web plates and hanger bars shall be AASHTO M223 structural steel. Pin nuts shall be AASHTO M183 steel. The bronze washers shall be ASTM B22-61 alloy E.
The diameter of the pin hole shall not exceed that of the pin by more than 1/32" and the finish of the pin and pin hole contact surfaces shall conform to A.S.A. 125. The pin nuts shall be adjusted to allow free movement of the links before the set screws are placed.



FOR INFORMATION ONLY

EXISTING STRUCTURAL STEEL DETAILS
FAU 2697 WILLOW SPRINGS ROAD
OVER DES PLAINES RIVER,
CHICAGO SANITARY & SHIP CANAL,
ILLINOIS AND MICHIGAN CANAL,
AND ICG RAILROAD
COOK COUNTY
S.N. 016-0540

DESIGNED	B. Sauter
CHECKED	E. Mroczek
DRAWN	R. Danley
CHECKED	B. Sauter

CG Ciorba Group, Inc.
CONSULTING ENGINEERS
5507 North Cumberland Avenue, Suite 402 Chicago, Illinois 60656
Tel. 773.775.4009 Fax 773.775.4014 Email chicago@ciorba.com

4/16/2009 4:16:20 PM R:\P001\3329\3329_30\Design\Structural\CAU\Shs\Steel\Repears\3329_3p_13_Existing Structural Steel Details.dwg