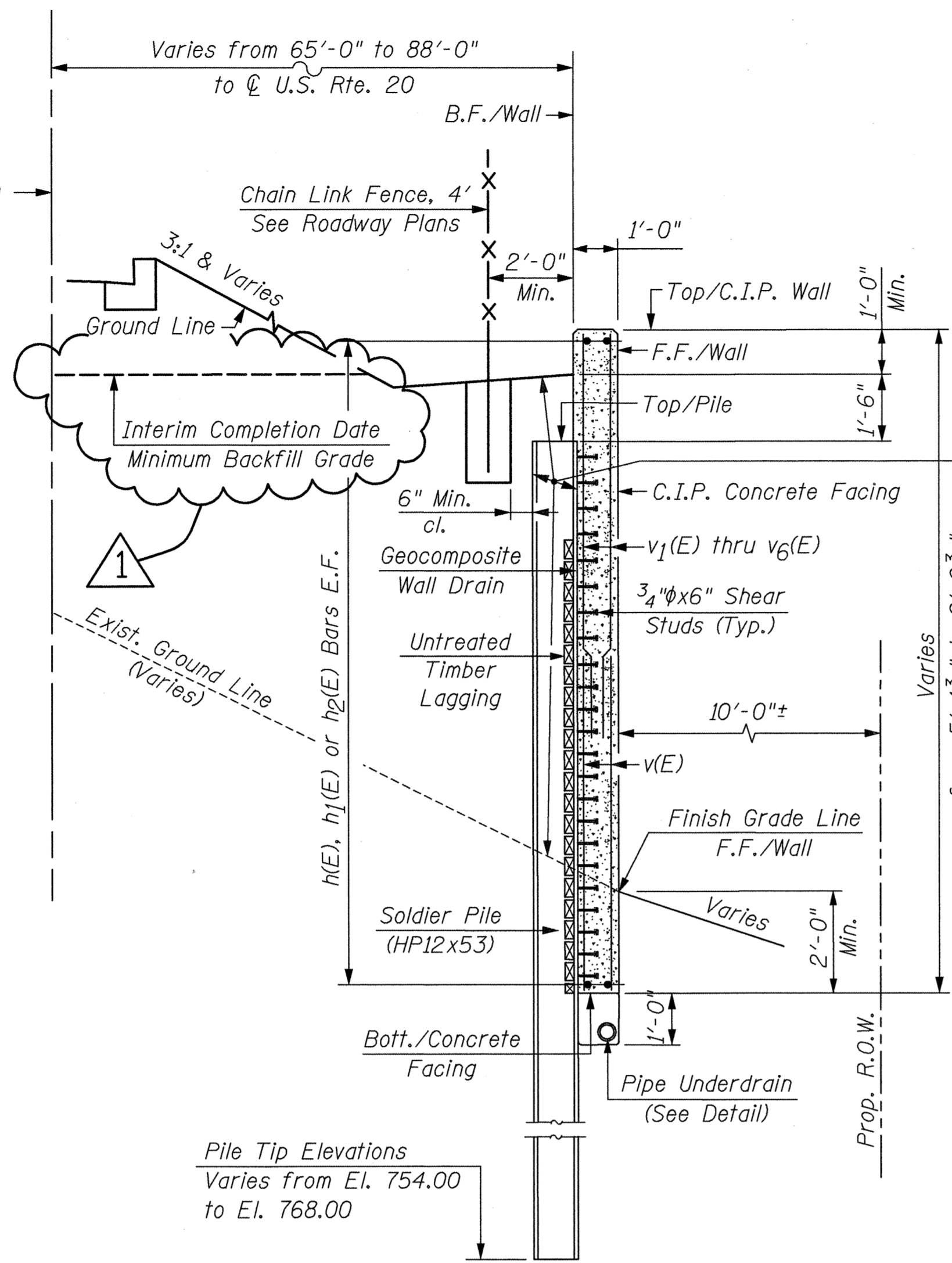
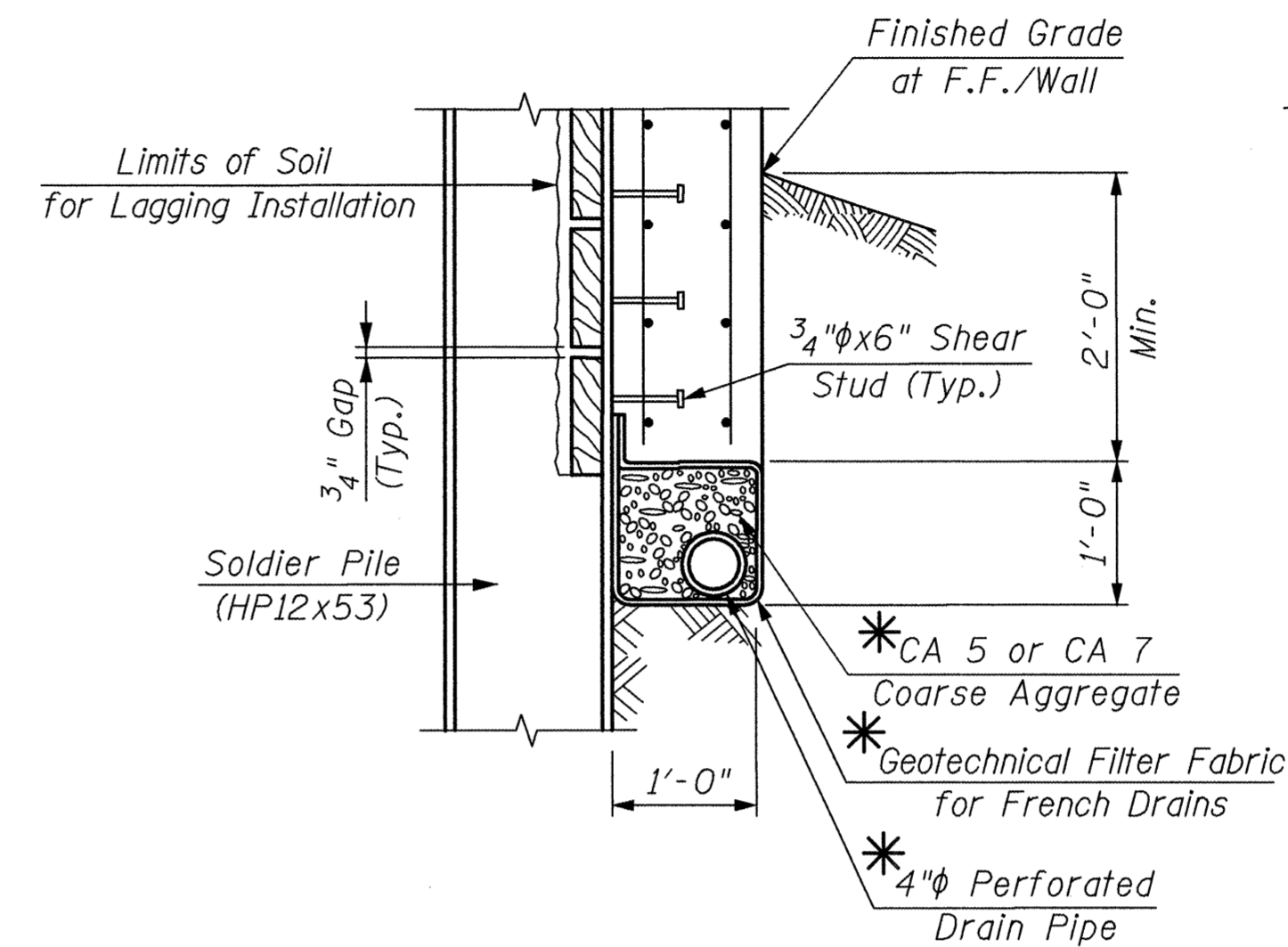


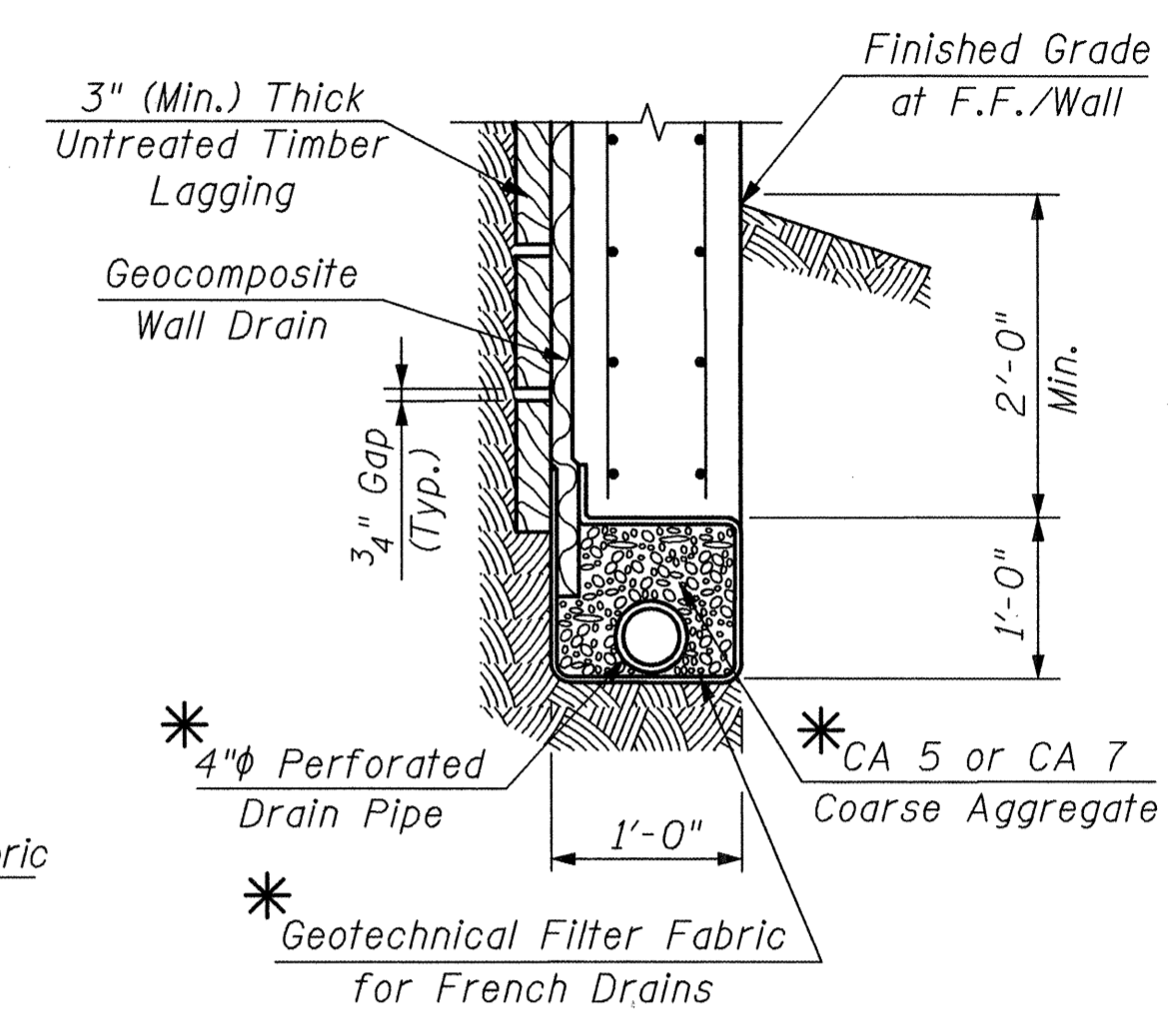
* Included in the cost of Pipe Underdrains for Structures



DRIVEN SOLDIER PILE
TYPICAL WALL SECTION
(Looking East)



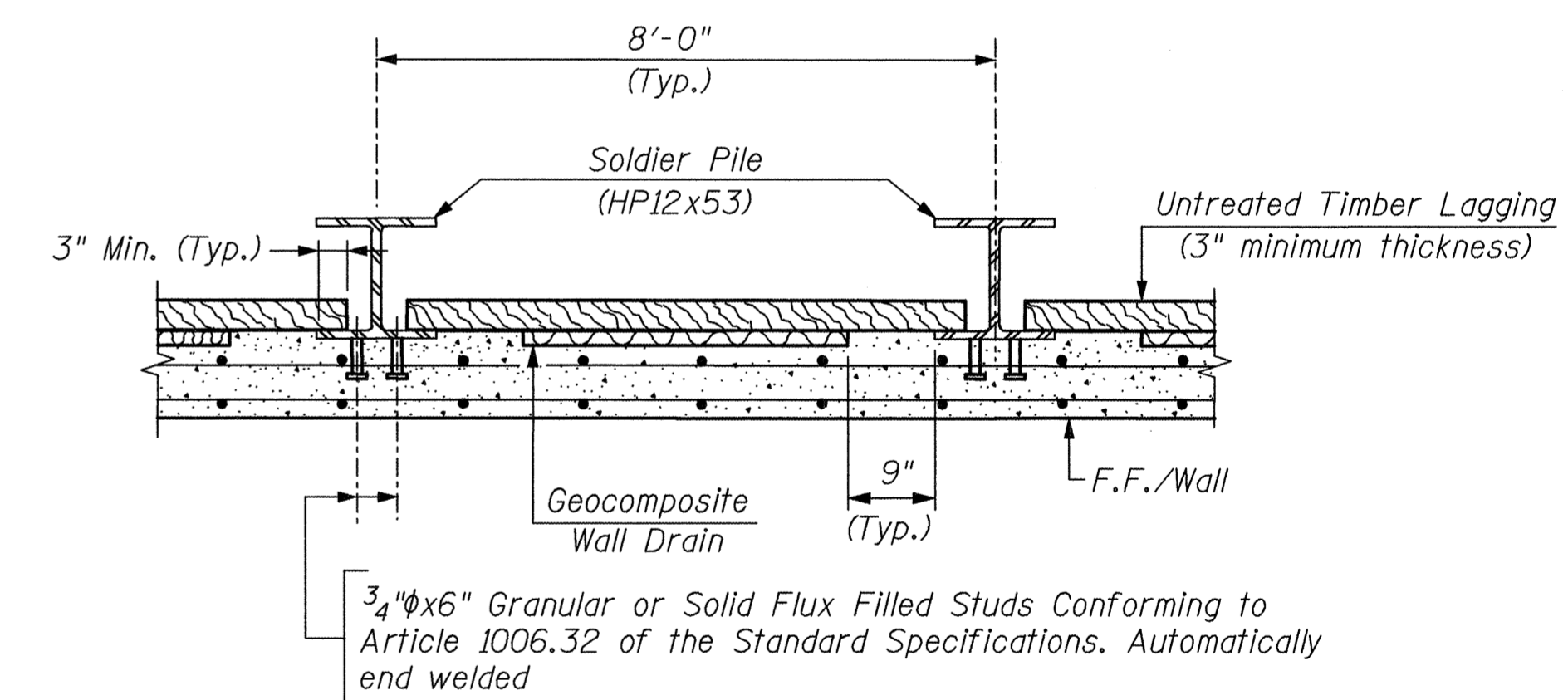
PIPE UNDERDRAIN DETAIL
AT SOLDIER PILES



PIPE UNDERDRAIN DETAIL
BETWEEN SOLDIER PILES

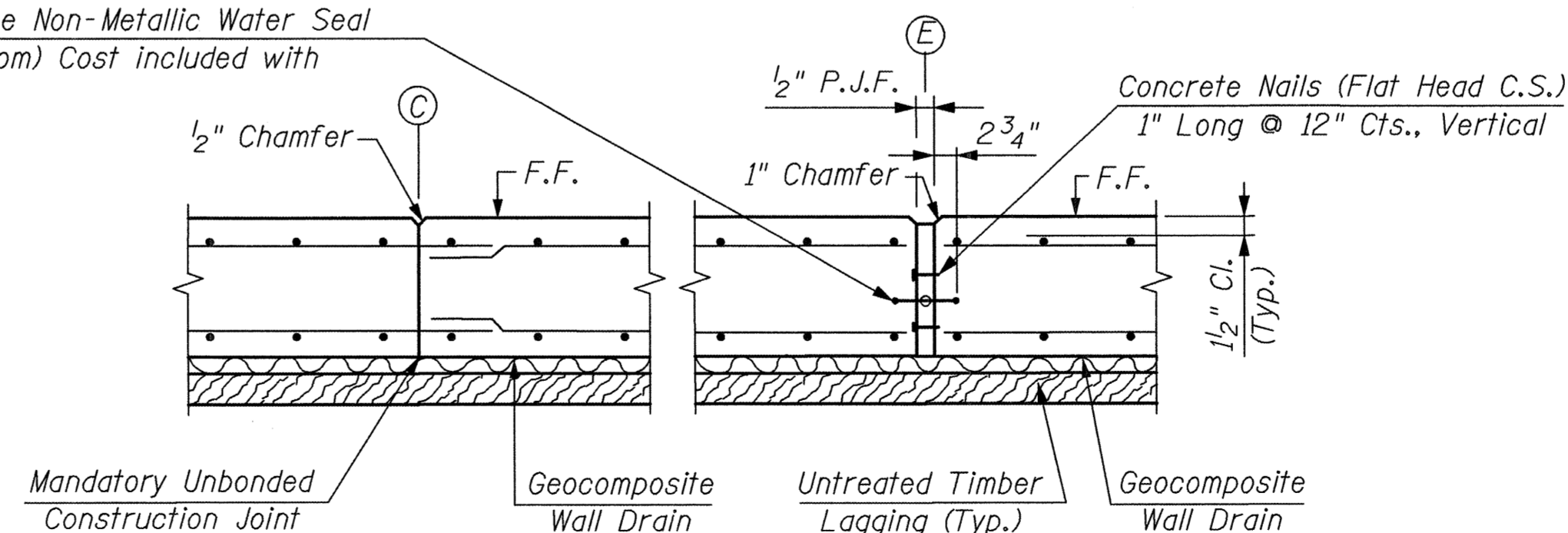
BILL OF MATERIAL

Bar	No.	Size	Length	Shape
h(E)	300	#6	32'-6"	—
h1(E)	132	#6	29'-9"	—
h2(E)	20	#6	20'-4"	—
v(E)	1,482	#6	4'-9"	—
v1(E)	120	#6	5'-9"	—
v2(E)	540	#6	6'-4"	—
v3(E)	180	#6	6'-2"	—
v4(E)	180	#6	5'-5"	—
v5(E)	180	#6	5'-11"	—
v6(E)	162	#6	6'-7"	—
Reinforcement Bars, Epoxy Coated		Lb.	44,230	



TYPICAL SECTION THRU
SOLDIER PILE WALL

6" Hollow Bulb Dumbbell Type Non-Metallic Water Seal (6" from top of Wall to bottom) Cost included with Concrete Structures



CONSTRUCTION JOINT EXPANSION JOINT
END OF PANEL DETAILS

REVISIONS	
NAME	DATE
ADDENDUM 1	5-22-08

ILLINOIS DEPARTMENT OF TRANSPORTATION
SECTION & RETAINING WALL DETAILS
U.S. RTE. 20
AT BLUFF CITY / SHALES PARKWAY
SOUTH SOLDIER PILE RETAINING WALL
F.A.P. 345 SECTION: 8R-1-N-1
COOK COUNTY
STRUCTURE NO. 016-W968
SCALE: NONE DRAWN BY: D.L./F.M.
DATE: FEBRUARY, 2008 CHECKED BY: B.N.S./J.C.N.
CHRISTIAN-ROGE & ASSOC., INC.
CHICAGO ILLINOIS