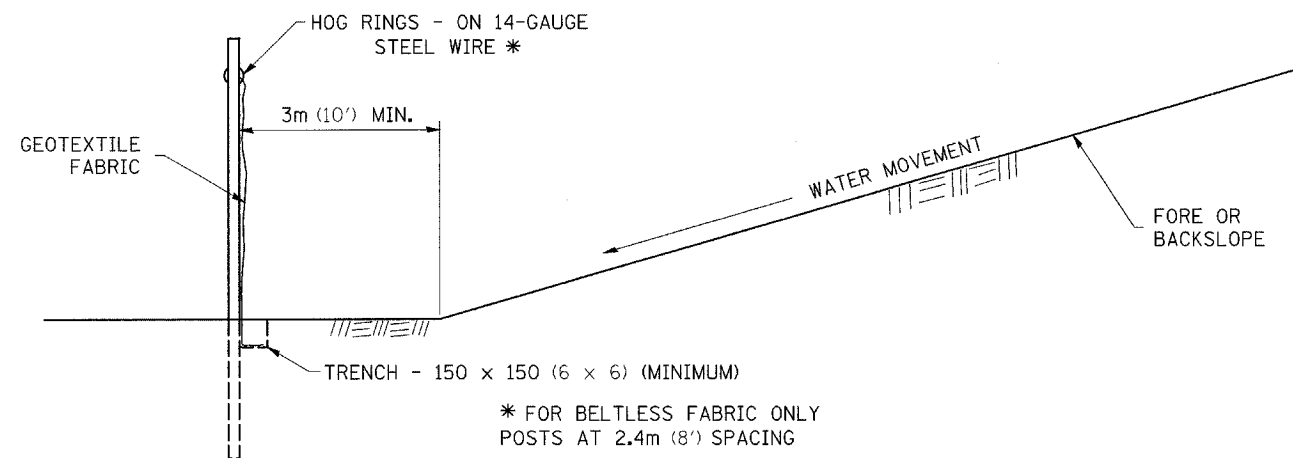
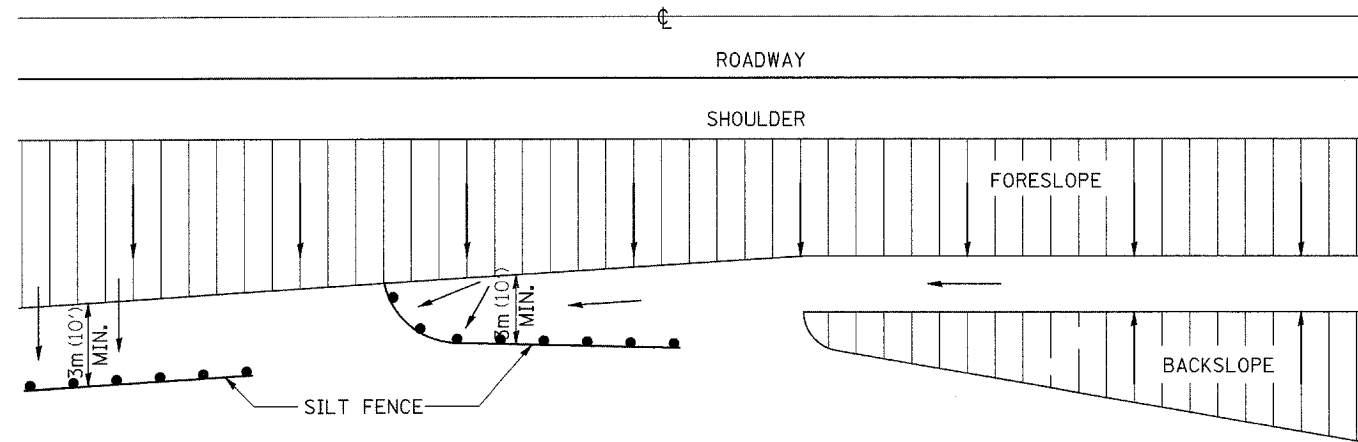


# EROSION CONTROL DETAILS FOR SILT FENCE

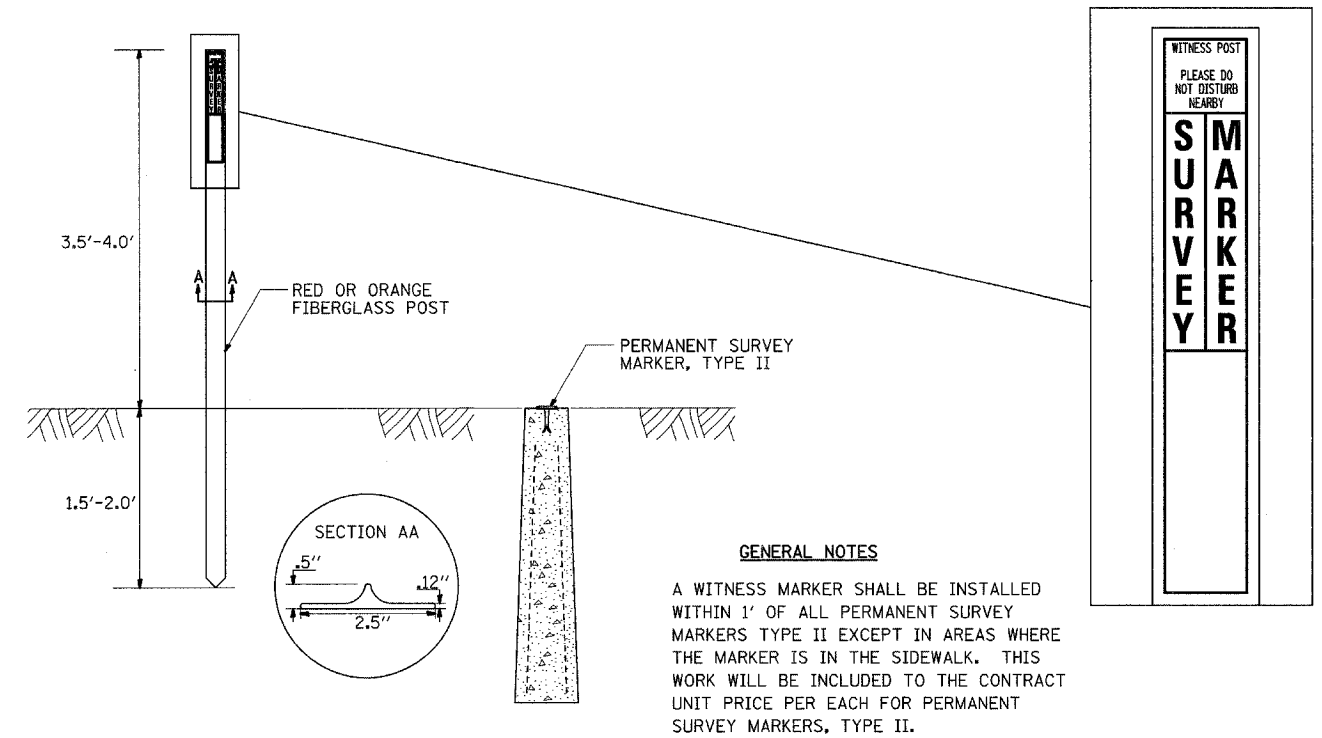


DETAILS OF SILT FENCE

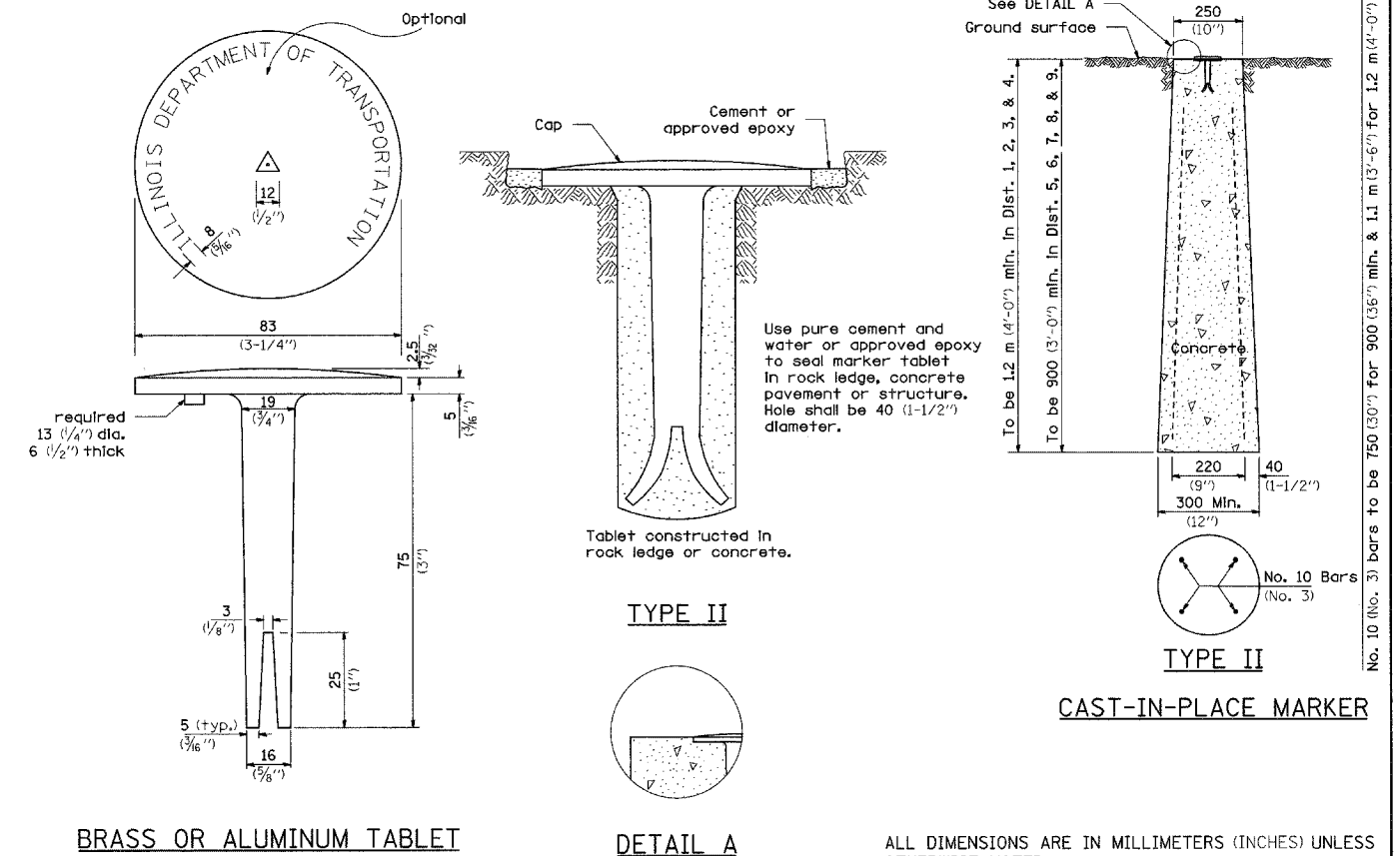
ALL DIMENSIONS ARE IN MILLIMETERS (INCHES) UNLESS OTHERWISE NOTED.

REVISED - 10-22-01

# WITNESS MARKER FOR PERMANENT SURVEY MARKERS, TYPE II



# PERMANENT SURVEY MARKERS, TYPE II



BRASS OR ALUMINUM TABLET

DETAIL A

CAST-IN-PLACE MARKER

ALL DIMENSIONS ARE IN MILLIMETERS (INCHES) UNLESS OTHERWISE NOTED.

REVISED - 6-26-06	REGION 2 / DISTRICT 2 STANDARD	F.A.P. RTE.	SECTION	COUNTY	TOTAL SHEETS	SHEET NO.
REVISED -		754	101M	BOONE	48	29
REVISED -		SCALE: 50.0000 / IN SHEET NO. OF SHEETS STA. TO STA.			CONTRACT NO. 64A45	
REVISED -		FED. ROAD DIST. NO. ILLINOIS FED. AID PROJECT				