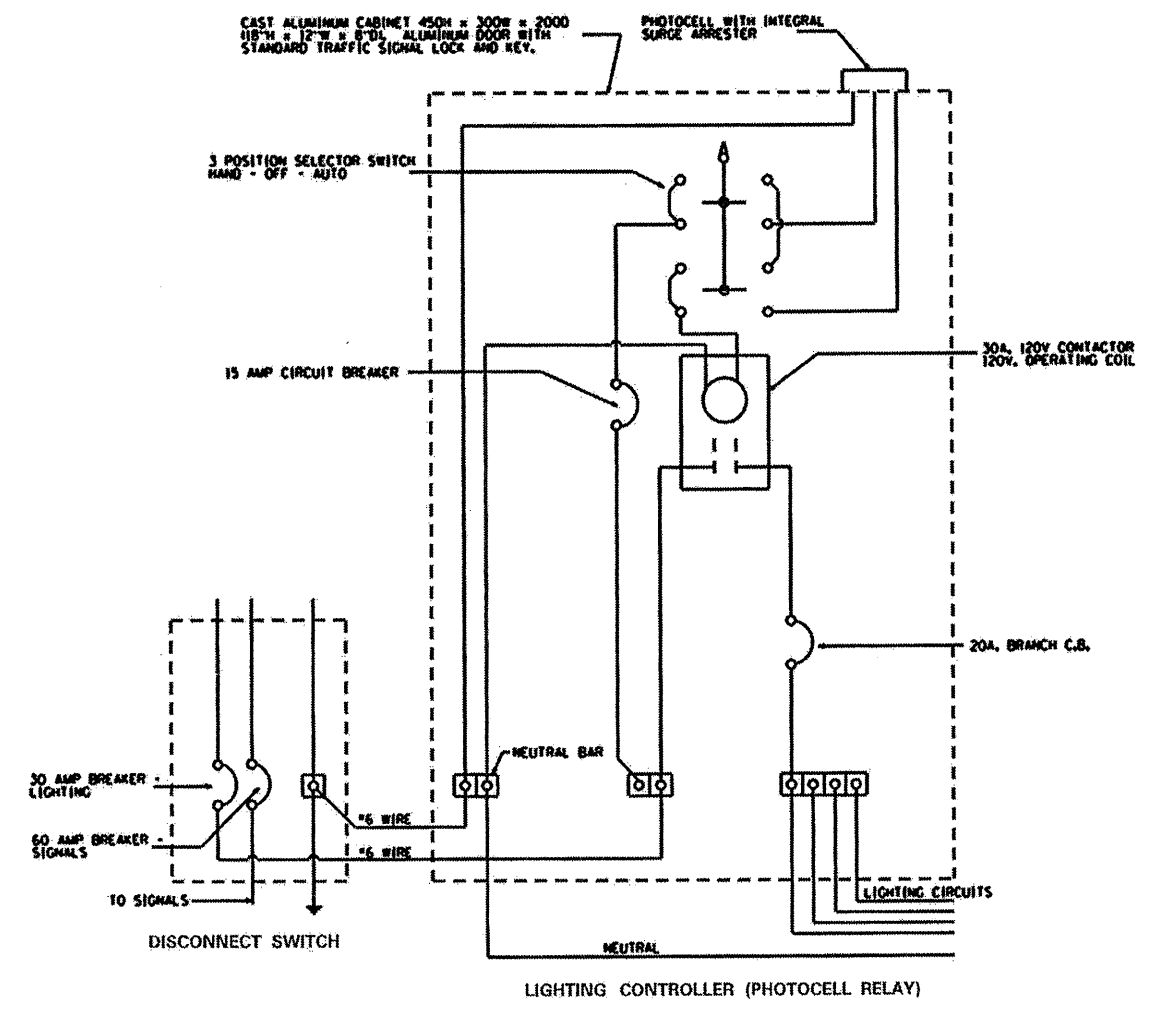
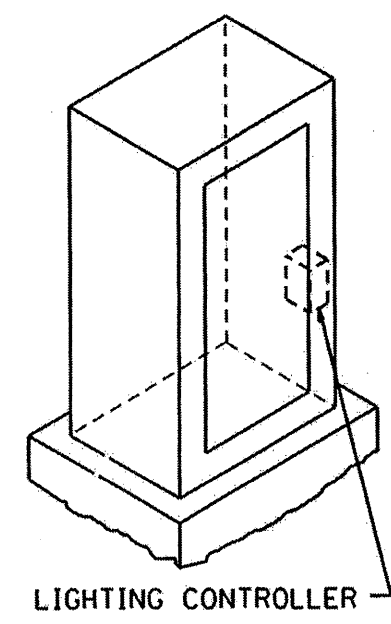
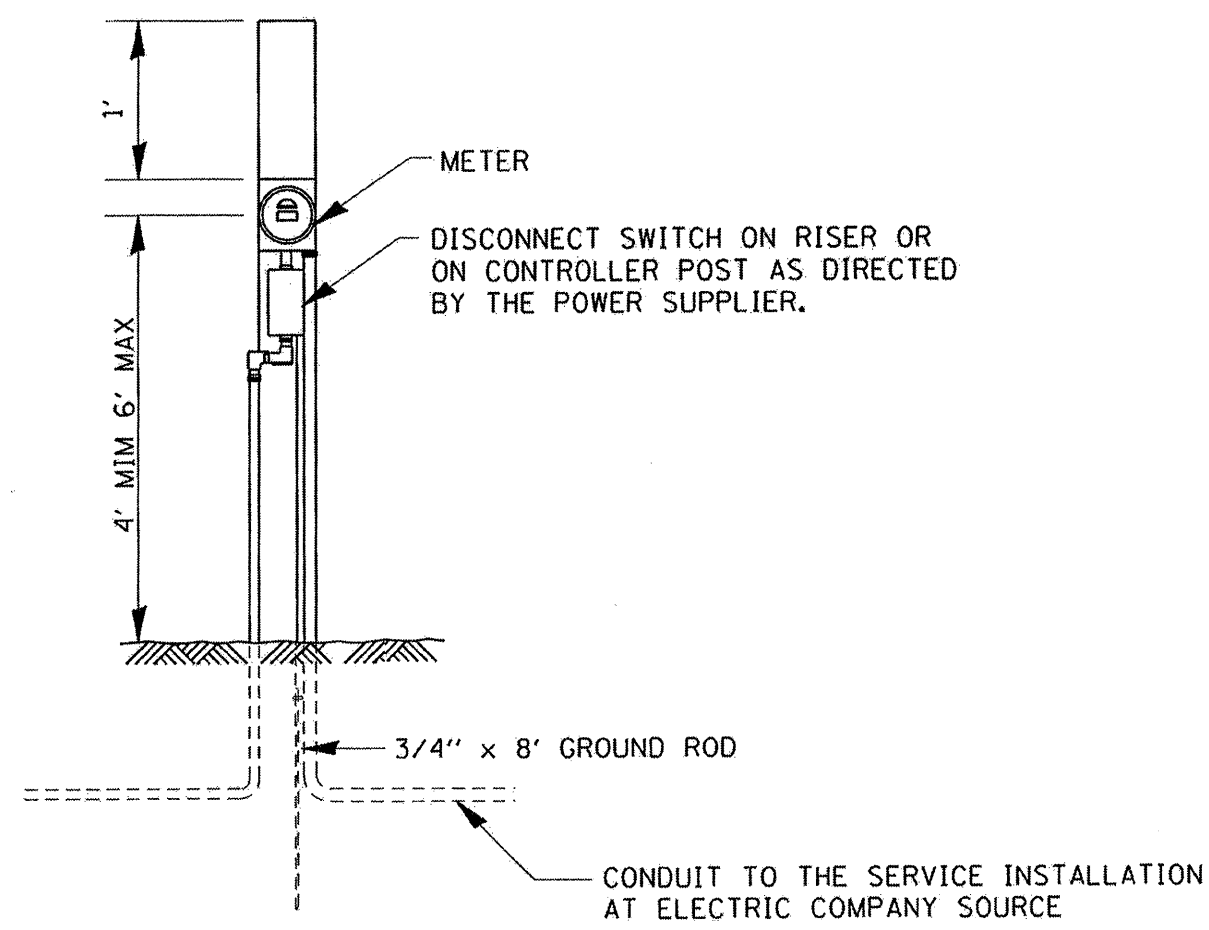


F.A.P. RTE.	SECTION	COUNTY	TOTAL SHEETS	SHEET NO.
301	24TS	JO DAVIESS	11	9
STA.		TO STA.		
FED. ROAD DIST. NO.	ILLINOIS	FED. AID PROJECT		



ELECTRIC SERVICE INSTALLATION, SPECIAL
 (SEE SPECIAL PROVISIONS)
 (DETAIL ONLY SHOW GENERAL SERVICE WHICH VARIES BY PROVIDERS)

REVISIONS		ILLINOIS DEPARTMENT OF TRANSPORTATION
NAME	DATE	
		SCALE: VERT. HORIZ. DATE DRAWN BY CHECKED BY

PLOT DATE: 11/04/03 12:18:00 PM
 FILE NAME: I:\Projects\2003\64C89\64C89.dwg
 PLOT SCALE: 1/4" = 1'-0"
 USER NAME: JH101