

F.A.P. RTE.	SECTION	COUNTY	TOTAL SHEETS	SHEET NO.
301	24TS	JO DAVIESS	11	1

STATE OF ILLINOIS
 DEPARTMENT OF TRANSPORTATION
 DIVISION OF HIGHWAYS
**PROPOSED
 HIGHWAY PLANS**

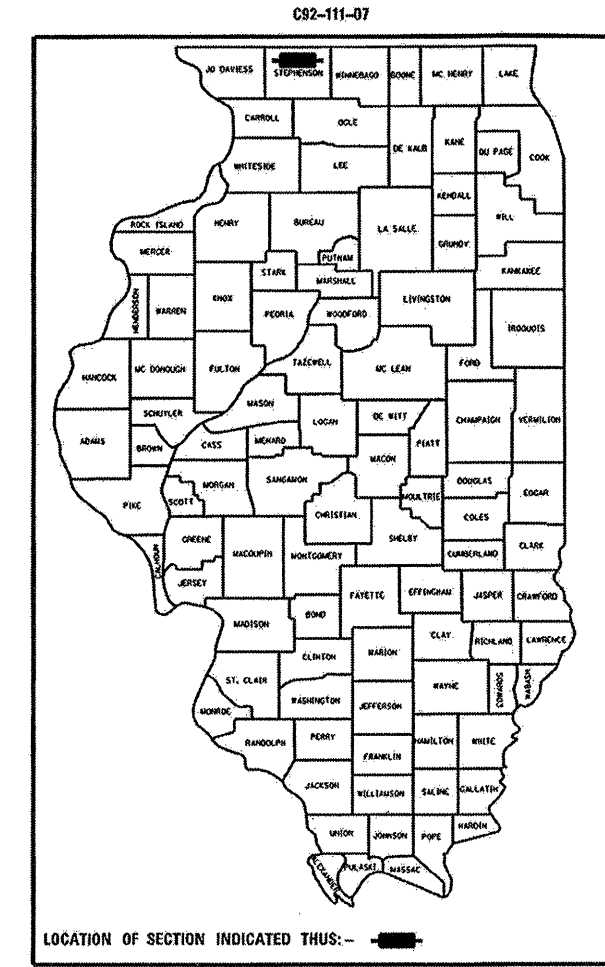
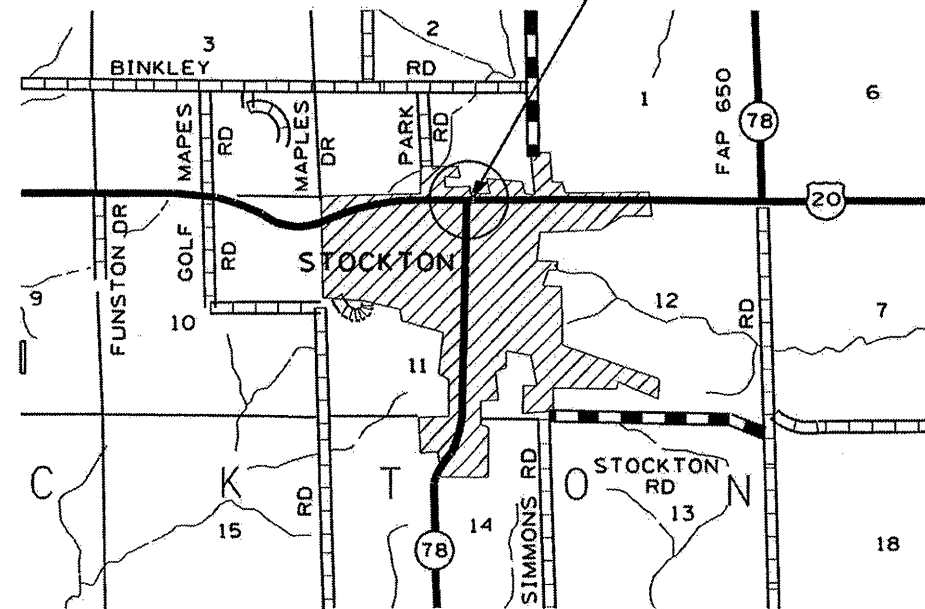
FAP ROUTE 301
 SECTION 24TS
 PROJECT AC NHF - 0301 (049)
 JO DAVIESS COUNTY
 C-92-111-07

- INDEX OF SHEETS
 1 COVER SHEET
 INDEX OF SHEETS
 STANDARDS
 2 SUMMARY OF QUANTITIES
 3 UTILITIES
 GENERAL NOTES
 4 BORING LOGS
 5 SIGNAL PLAN SHEET LEGEND
 SIGN DETAILS
 6 PLAN SHEET
 7 CABLE DETAIL
 8 SERVICE INSTALLATION DETAIL
 LIGHTING CONTROLLER DETAIL

STANDARDS

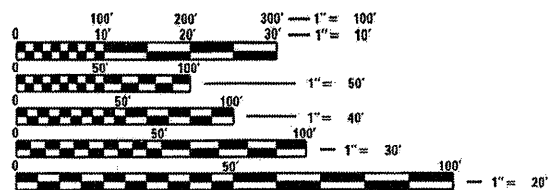
- 701006-02 OFF-ROAD OPERATIONS 2L, 2W, 4.5 m (15') TO 600 mm (24") FROM PAVEMENT EDGE
 701201-02 LANE CLOSURE, 2L, 2W, DAY ONLY, FOR SPEEDS > 45 MPH
 701301-02 LANE CLOSURE, 2L, 2W, SHORT TIME OPERATIONS
 701311-02 LANE CLOSURE, 2L, 2W, MOVING OPERATIONS - DAY ONLY
 701701-05 URBAN LANE CLOSURE MULTILANE INTERSECTION
 701901 TRAFFIC CONTROL DEVICES
 720016-01 MAST ARM MOUNTED STREET NAME SIGNS
 805001 ELECTRICAL SERVICE INSTALLATION DETAILS
 814001-01 CONCRETE HANDHOLES
 814006-01 DOUBLE HANDHOLES
 857001 STANDARD DESIGNATION DIAGRAM AND PHASE SEQUENCE
 862001 UNINTERRUPTIBLE POWER SUPPLY (UPS)
 873001-01 TRAFFIC SIGNAL GROUNDING
 877011-03 STEEL COMBINATION MAST ARM ASSEMBLY AND POLE
 878001-06 CONCRETE FOUNDATION DETAILS
 880006 TRAFFIC SIGNAL MOUNTING DETAILS

PROJECT LOCATION
 US 20 WITH IL 78 SOUTH
 IN STOCKTON



LOCATION OF SECTION INDICATED THUS: - [shaded box]

D82-027-07



FULL SIZE PLANS HAVE BEEN PREPARED USING STANDARD ENGINEERING SCALES. REDUCED SIZED PLANS WILL NOT CONFORM TO STANDARD SCALES. IN MAKING MEASUREMENTS ON REDUCED PLANS, THE ABOVE SCALES MAY BE USED.

J.U.L.I.E.
 JOINT UTILITY LOCATION INFORMATION FOR EXCAVATION
 1-800-892-0123

CONTRACT NO. 64C89

STATE OF ILLINOIS
 DEPARTMENT OF TRANSPORTATION
 DIVISION OF HIGHWAYS
 SUBMITTED March 8, 20 08
George F. Ryan
 DEPUTY DIRECTOR OF HIGHWAYS, REGION ENGINEER
May 9, 20 08
Eric E. Horn
 ENGINEER OF DESIGN AND ENVIRONMENT
May 9, 20 08
Christine M. Reed
 DIRECTOR OF HIGHWAYS, CHIEF ENGINEER

PRINTED BY THE AUTHORITY
 OF THE STATE OF ILLINOIS

PROJECT ENGINEER SCOTT KULLERSTRAND 815-284-5468 DESIGNER KRISTINE HILL 815-284-5476

80% FED 20% STATE
Y03HF

CONTRACT NO. 64C89

F.A.P. RTE.	SECTION	COUNTY	TOTAL SHEETS	SHEET NO.
301	24TS	JO DAVIESS	11	2
STA.		TO STA.		
FED. ROAD DIST. NO.		ILLINOIS FED. AID PROJECT		

Summary of Quantities for US 20 @ IL 78			
PAY CODE	ITEM	UNIT	TOTAL
67100100	MOBILIZATION	L SUM	1
70100450	TRAFFIC CONTROL AND PROTECTION, STANDARD 701201	L SUM	1
70102635	TRAFFIC CONTROL AND PROTECTION, STANDARD 701701	L SUM	1
* 72000100	SIGN PANEL TYPE I	50 FT	30
78300100	PAVEMENT MARKING REMOVAL	50 FT	1628
80501000	SERVICE INSTALLATION, (SPECIAL)	EACH	1
81400700	HANDHOLE, PORTLAND CEMENT CONCRETE	EACH	3
81400720	DOUBLE HANDHOLE, PORTLAND CEMENT CONCRETE	EACH	1
81702110	ELECTRIC CABLE IN CONDUIT, 600V (XLP TYPE USE) 1/C NO. 10	FOOT	802
82102400	LUMINAIRE, SODIUM VAPOR, HORIZONTAL MOUNT, 400 WATT	EACH	2
82500605	LIGHTING CONTROLLER PHOTOCCELL RELAY	EACH	1
85700200	FULL-ACTUATED CONTROLLER AND TYPE IV CABINET	EACH	1
87301245	ELECTRIC CABLE IN CONDUIT, SIGNAL, NO. 14 5C	FOOT	1293
87301255	ELECTRIC CABLE IN CONDUIT, SIGNAL, NO. 14 7C	FOOT	623
87301815	ELECTRIC CABLE IN CONDUIT, SERVICE, NO 6 3C	FOOT	49
87700170	STEEL MAST ARM ASSEMBLY AND POLE, 26 FT.	EACH	2
87702960	STEEL COMBINATION MAST ARM ASSEMBLY AND POLE 46 FT	EACH	1
87702980	STEEL COMBINATION MAST ARM ASSEMBLY AND POLE 50 FT	EACH	1
87800150	CONCRETE FOUNDATION, TYPE C	FOOT	3
87800400	CONCRETE FOUNDATION, TYPE E, 30-INCH DIAMETER	FOOT	27.5
87800415	CONCRETE FOUNDATION, TYPE E, 36-INCH DIAMETER	FOOT	31.25
88040070	SIGNAL HEAD, POLYCARBONATE, LED, 1-FACE, 3-SECTION, BRACKET MOUNTED	EACH	1
88040090	SIGNAL HEAD, POLYCARBONATE, LED, 1-FACE, 3-SECTION, MAST ARM MOUNTED	EACH	7
88040150	SIGNAL HEAD, POLYCARBONATE, LED 1-FACE, 5-SECTION, BRACKET MOUNTED	EACH	2
88040160	SIGNAL HEAD, POLYCARBONATE, LED, 1-FACE, 5-SECTION, MAST ARM MOUNTED	EACH	2
88200400	TRAFFIC SIGNAL BACKPLATE, FORMED PLASTIC	EACH	9
X0323153	ELECTRIC CABLE IN CONDUIT, GROUND, NO. 6 1C (GREEN)	FOOT	370
X0324887	CONDUIT INSTALLED, 2 1/2" ^{DIA.} NON-METALLIC	FOOT	54
X0324888	CONDUIT INSTALLED, 4" ^{DIA.} NON-METALLIC	FOOT	235
X0325335	CONDUIT INSTALLED, 1 1/2" DIA., NON-METALLIC	FOOT	43
* X7800500	POLYUREA PAVEMENT MARKING - LETTERS AND SYMBOLS, SPECIAL	50 FT	171
* X7800510	POLYUREA PAVEMENT MARKING SPECIAL- LINE 4"	FOOT	1230
* X7800540	POLYUREA PAVEMENT MARKING SPECIAL- LINE 8"	FOOT	857
* X7800550	POLYUREA PAVEMENT MARKING SPECIAL- LINE 12"	FOOT	248
* X7800580	POLYUREA PAVEMENT MARKING SPECIAL- LINE 24"	FOOT	116
XX003165	VIDEO CAMERA DETECTOR SYSTEM	EACH	1
XX006661	UNINTERRUPTABLE POWER SUPPLY	EACH	1

* SPECIALTY ITEM


REVISIONS		ILLINOIS DEPARTMENT OF TRANSPORTATION
NAME	DATE	
		DRAWN BY CHECKED BY

SCALE: VERT.
HORIZ.
DATE

Plot Date: 11/12/08 10:29:36 AM
File Name: \\s010001\proj\64C89 US 20 IL 78 SIGNALS.dgn
Plot Scale: 1/4" = 1'-0"
User Name: jh111

BORING LOGS

CONTRACT NO. 08/089			
F.A.P. RTE.	SECTION	COUNTY	TOTAL SHEETS
301	24TS	JO DAVIESS	11 3
STA.		TO STA.	
FED. ROAD DIST. NO.		ILLINOIS FED. AID PROJECT	



Illinois Department of Transportation
Division of Highways
Illinois Department of Transportation 0-3

ROCK CORE LOG

Page 1 of 2
Date 11/13/06

ROUTE US 20/IL 78 DESCRIPTION P92-027-07 Traffic Signals - IL 78 at US 20 in Stockton LOGGED BY W. Garza

SECTION _____ LOCATION Stockton Twp., SEC., TWP. 27N, RNG. 4E, PM

COUNTY Jo Daviess CORING METHOD _____

STRUCT. NO. _____ CORING BARREL TYPE & SIZE _____

Station _____ Core Diameter _____ in

BORING NO. B-1 Top of Rock Elev. _____ ft

Station 657+42 Begin Core Elev. _____ ft

Offset 45.00 ft RI CL

Ground Surface Elev. 99.9 ft

	D E P T H (ft)	C O R E (ft)	R E C O V E R Y (%)	R E D U C E D Q U A L I T Y (%)	C O R E D I A M E T E R (in)	S T R E N G T H (psi)
MEDIUM brown SILTY CLAY LOAM						
	97.00					
VERY STIFF brown SILTY CLAY LOAM	96.40					
	95.00					
SOFT gray/tan SILTY CLAY LOAM	93.00					
	91.40					
SOFT tan LOAM	88.40					
VERY STIFF light brown SILTY CLAY	86.40					
	83.00					
STIFF light brown SILTY CLAY TILL	80.90					
VERY STIFF light brown SILTY CLAY TILL						
VERY STIFF gray CLAY LOAM TILL						
MEDIUM gray SILT						

Color pictures of the cores _____
Cores will be stored for examination until _____
The "Strength" column represents the uniaxial compressive strength of the core sample (ASTM D-2938)

BBS, Form 138 (Rev. 8-99)

REVISIONS		ILLINOIS DEPARTMENT OF TRANSPORTATION
NAME	DATE	
		SCALE: VERT. _____ HORIZ. _____ DATE _____

DRAWN BY _____
CHECKED BY _____

BORING LOGS

PLOT DATE: 11/13/06 12:18:04 PM
 FILE NAME: I:\GIS\Projects\Boring\Boring\Boring.dwg
 PLOT SCALE: 1/4" = 1'-0"
 USER: WJG

F.A.P. RITE.	SECTION	COUNTY	TOTAL SHEETS	SHEET NO.
301	24TS	JO DAVIESS	11	4
STA.		TO STA.		
FED. ROAD DIST. NO.		ILLINOIS	FED. AID PROJECT	

GENERAL NOTES

1. THE TWO (2) LUMINAIRES SHALL BE 35' HIGH WITH A 12' ARM ON THE COMBINATION MAST ARM ASSEMBLIES.
2. THE VIDEO DETECTION CAMERAS ON THE NORTH AND SOUTH LEGS SHALL BE PLACED AT 20' HIGH ON THE MAST ARMS.
3. THE VIDEO DETECTION CAMERAS ON THE EAST AND WEST LEGS SHALL BE 35' HIGH WITH SECURE EXTENSION POLES ON THE MAST ARMS
4. THE "SIGNAL AHEAD" SIGNS SHALL REPLACE THE EXISTING "INTERSECTION AHEAD" SIGNS ON THE EXISTING POST LOCATION ON ALL FOUR LEGS OF THE INTERSECTION. THE CONTRACTOR SHALL CONTACT KURT GLAZIER, 815-284-5478, AT THE ILLINOIS DEPARTMENT OF TRANSPORTATION TWO (2) WEEKS PRIOR TO THE SIGNAL TURN-ON.
5. ONLY THE RESIDENT ENGINEER SHALL DETERMINE THE LOCATION OF THE PROPOSED STOP BARS.

UTILITIES

NAME	TYPE	TELEPHONE	JULIE MEMBER
MR DENNIS JARDING MEDIACOM 3900-26TH AVENUE MOLINE, IL 61265	CATV	309-743-4	YES 800-892-0123
MR MICHAEL LENOX COMMONWEALTH EDISON COMPANY 123 ENERGY AVE ROCKFORD, IL 61109	ELECTRIC	815-490-28	YES 800-892-0123
MR KALIN HINSHAW VERIZON 112 WEST ELM STREET SYCAMORE IL 60178	TELEPHONE	815-895-15	YES 800-892-0123
MS CONSTANCE LANE NICOR GAS CO 1844 FERRY ROAD NAPERVILLE IL 60563-9600	GAS	630-983-8	YES 800-892-0123
MR JERRY HAYES VILLAGE OF STOCKTON P.O. BOX 186/155 W FRONT AVE STOCKTON IL 61085	WATER & SEWER	815-947-24	NO 815-947-2417

PLOT DATE: 3/12/2008 10:29:50 AM
 PLOT SCALE: 1/4"=1'-0"
 USER NAME: ANJIN

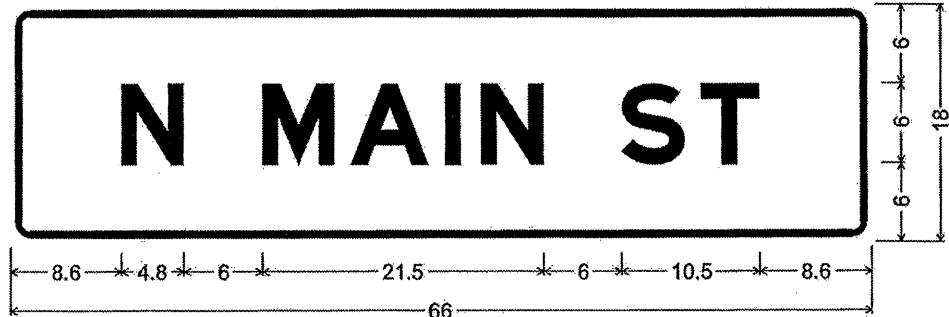
REVISIONS	
NAME	DATE

ILLINOIS DEPARTMENT OF TRANSPORTATION

SCALE: VERT. _____
 HORIZ. _____
 DATE _____

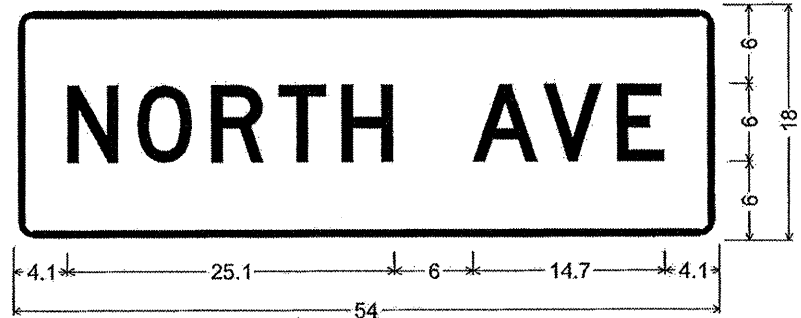
DRAWN BY _____
 CHECKED BY _____

F.A.P. RTE.	SECTION	COUNTY	TOTAL SHEETS	SHEET NO.
301	24TS	JO DAVISS	11	5
STA.		TO STA.		
FED. ROAD DIST. NO.		ILLINOIS FED. AID PROJECT		



1.5" Radius, 0.5" Border, 0.4" Indent, White on Green;
 [N MAIN ST] E Mod;
 Table of letter and object lefts.

N	M	A	I	N	S	T
8.6	19.4	26.2	33.4	36.1	46.9	52.9



1.5" Radius, 0.5" Border, 0.4" Indent, White on Green;
 [NORTH AVE] D;
 Table of letter and object lefts.

N	O	R	T	H	A	V	E
4.1	9.6	15.2	20.4	25.1	35.2	40.6	46.2

LEGEND

- EXISTING CONTROLLER
- NEW CONTROLLER
- EXISTING ALUMINUM MAST ARM ASSEMBLY AND POLE
- NEW ALUMINUM MAST ARM ASSEMBLY AND POLE
- EXISTING STEEL MAST ARM ASSEMBLY AND POLE
- NEW STEEL MAST ARM ASSEMBLY AND POLE
- EXISTING SIGNAL HEAD AND POST
- NEW SIGNAL HEAD AND POST
- EXISTING SIGNAL HEAD
- NEW SIGNAL HEAD WITH BACKPLATE
- EXISTING PEDESTRIAN HEAD
- NEW PEDESTRIAN HEAD
- PEDESTRIAN PUSHBUTTON
- EXISTING HANDHOLE
- NEW HANDHOLE
- NEW JUNCTION BOX
- NEW HEAVY-DUTY HANDHOLE
- NEW DOUBLE HANDHOLE
- EXISTING CONDUIT (LENGTH AND SIZE)
- NEW LUMINAIRE
- NEW GALVANIZED STEEL OR PVC CONDUIT
- UPPER NUMERAL INDICATES LENGTH
- "T" INDICATES CONDUIT IN TRENCH
- "P" INDICATES CONDUIT PUSHED
- LOWER NUMERAL INDICATES SIZE AND TYPE

REVISIONS	
NAME	DATE

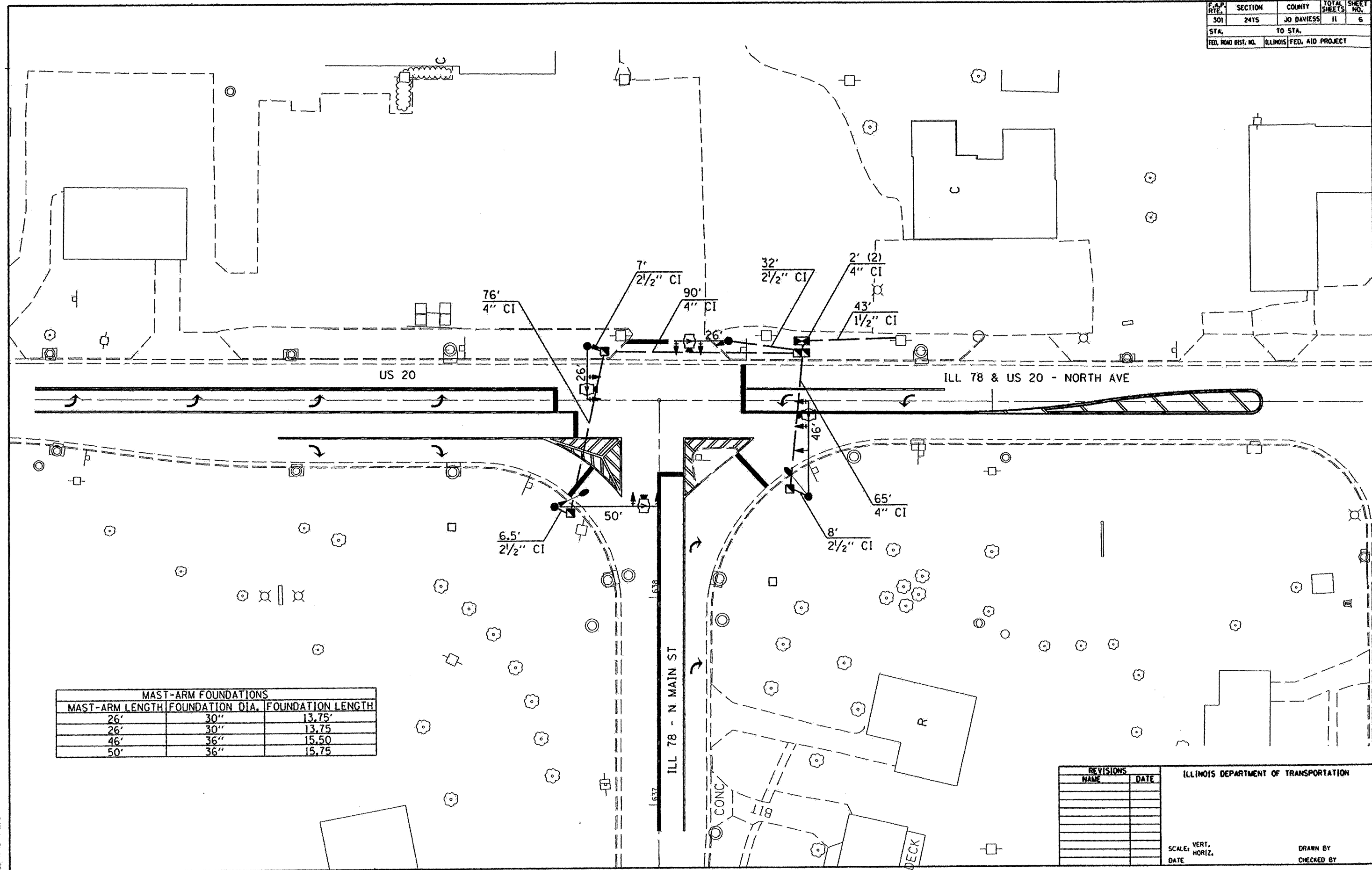
ILLINOIS DEPARTMENT OF TRANSPORTATION

SCALE: VERT. _____
 HORIZ. _____
 DATE _____

DRAWN BY _____
 CHECKED BY _____

PLOT DATE: 11/12/2008 12:00:00 PM
 FILE NAME: C:\Users\jwheeler\Documents\64C89\64C89.DWG
 USER: jwheeler
 PLOTTER: HP DesignJet 2400

F.A.P. RTE.	SECTION	COUNTY	TOTAL SHEETS	SHEET NO.
301	2415	JO DAVIESS	11	6
STA.		TO STA.		
FED. ROAD DIST. NO.		ILLINOIS FED. AID PROJECT		



MAST-ARM FOUNDATIONS		
MAST-ARM LENGTH	FOUNDATION DIA.	FOUNDATION LENGTH
26'	30"	13.75'
26'	30"	13.75'
46'	36"	15.50'
50'	36"	15.75'

REVISIONS	
NAME	DATE

ILLINOIS DEPARTMENT OF TRANSPORTATION

SCALE: VERT. _____
 HORIZ. _____

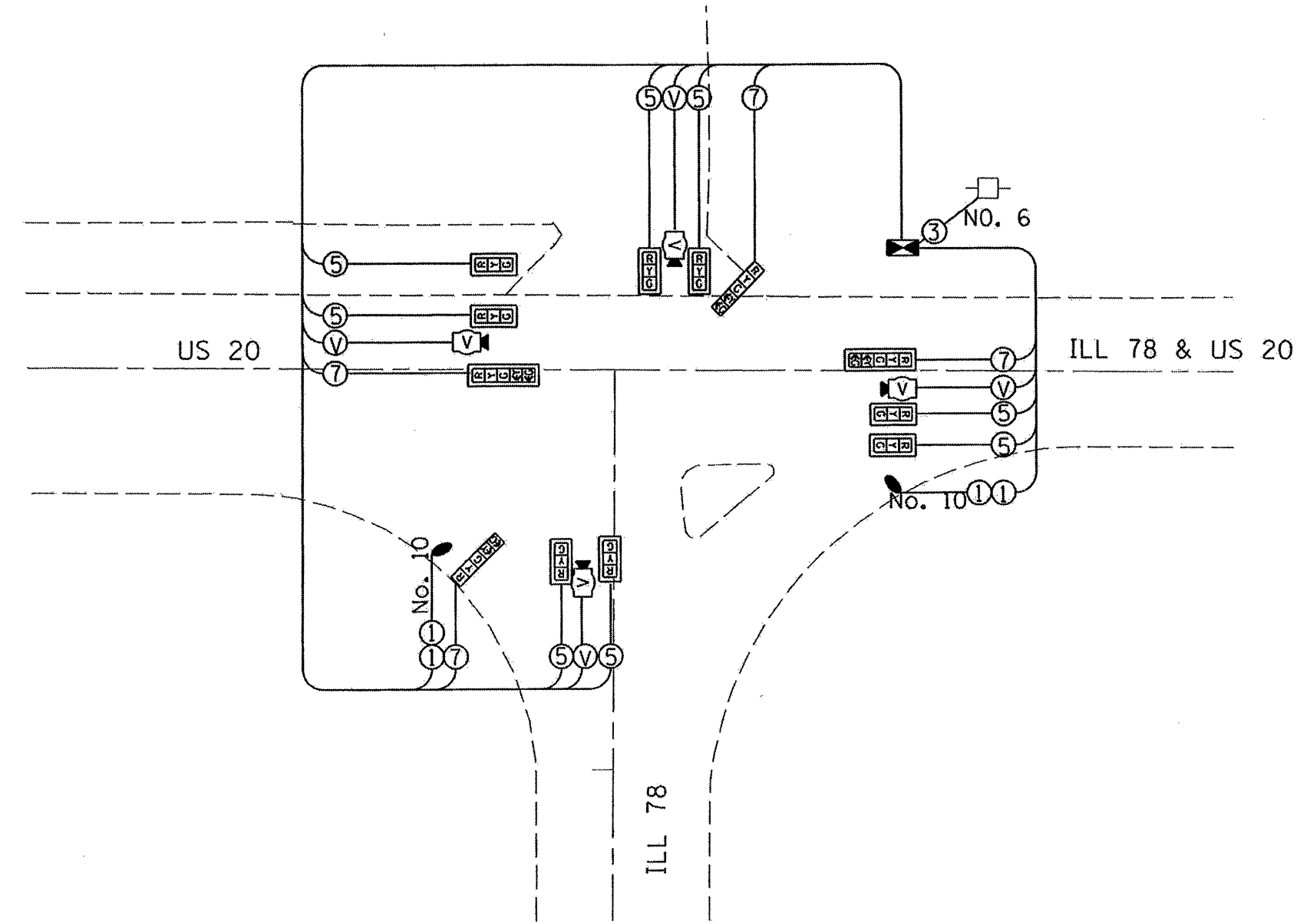
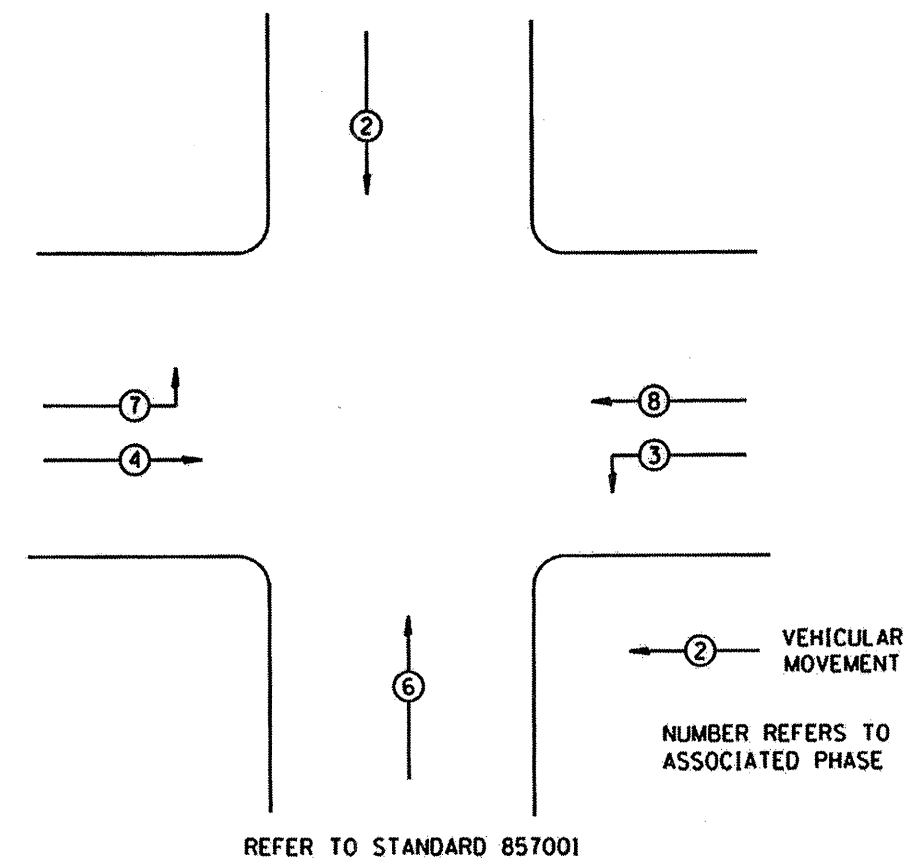
DATE _____

DRAWN BY _____
 CHECKED BY _____

PLOT DATE: 11/12/08 12:00:00 PM
 FILE NAME: I:\Users\jwheeler\My Documents\64C89\US 2415\78 STRUCTURE\64C89-2415\06.dwg
 PLOT SCALE: 1/8" = 1'-0"
 USER: jwheeler

F.A.P. RTE.	SECTION	COUNTY	TOTAL SHEETS	SHEET NO.
301	2415	JO DAVIESS	11	7
STA.		TO STA.		
FED. ROAD DIST. NO.		ILLINOIS FED. AID PROJECT		

PHASE DESIGNATION DIAGRAM



- LEGEND**
- INDICATES NUMBER OF NEW CONDUCTORS. ALL CABLE IS NO. 14 EXCEPT AS INDICATED.
 - NEW SIGNAL HEAD WITH OR WITHOUT BACKPLATE
 - VIDEO CAMERA DETECTION
 - LUMINAIRE, 400 WATT

DETECTOR ASSIGNMENT		
DETECTOR	PHASE NO.	DIRECTION
A	8	WB FAR ADVANCE
B	8	WB MID ADVANCE
C	8	WB PRESENT
D	3	WB LEFT
E	4	EB FAR ADVANCE
F	4	EB MID ADVANCE
G	4	EB PRESENT
H	7	EB LEFT
I	2	SB PRESENT
J	6	NB ADVANCE
K	6	NB PRESENT

REVISIONS	
NAME	DATE

ILLINOIS DEPARTMENT OF TRANSPORTATION

SCALE: VERT. DATE
HORIZ. DATE

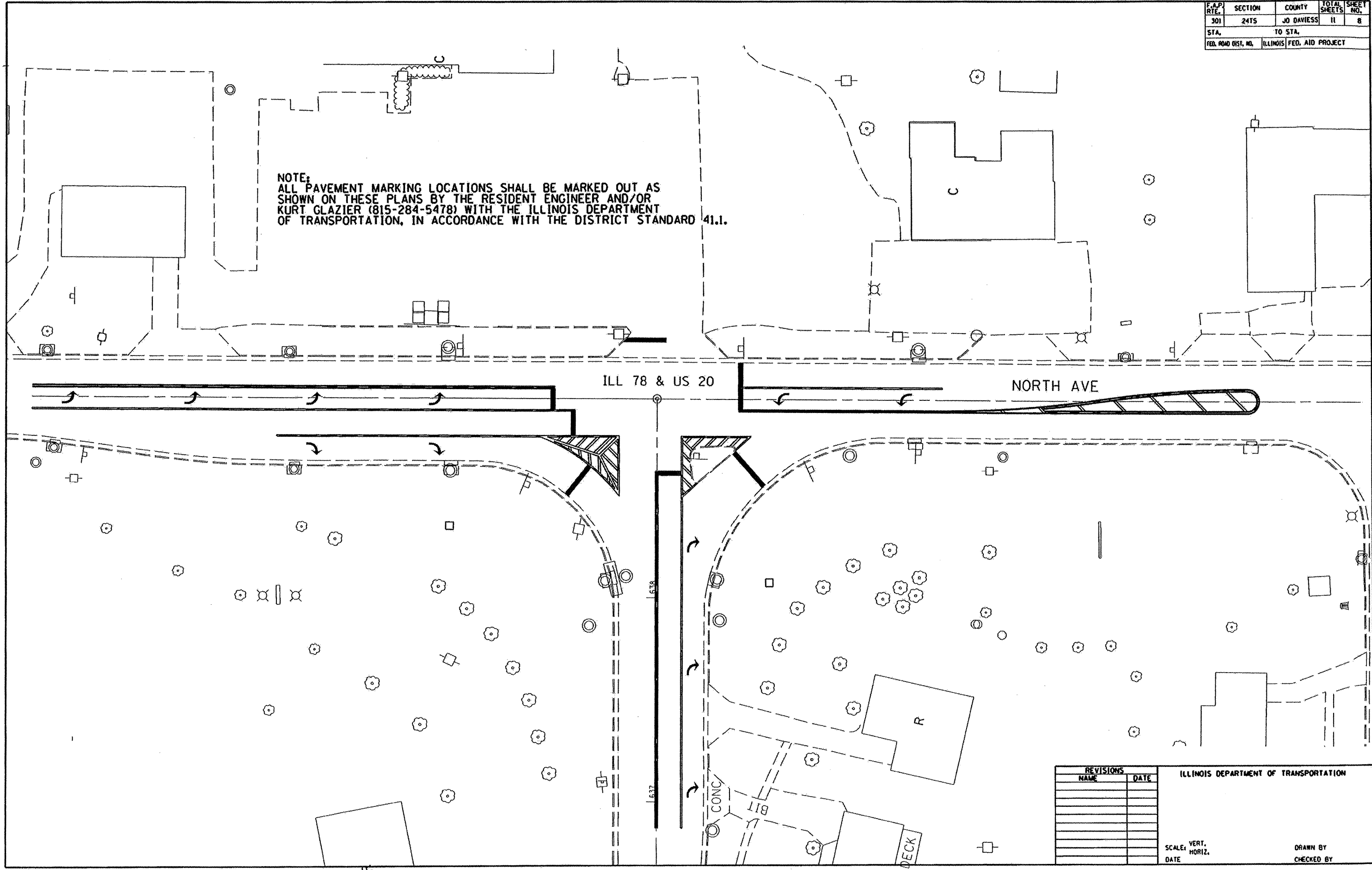
DRAWN BY
CHECKED BY

PLOT DATE: 11/01/2008 10:20:12 AM
 PLOT SCALE: 1/8" = 1'-0"
 USER NAME: N7131

CONTRACT NO. 64C89

F.A.P. RYE.	SECTION	COUNTY	TOTAL SHEETS	SHEET NO.
301	24TS	JO DAVIESS	11	8
STA.		TO STA.		
FED. ROAD DIST. NO.		ILLINOIS FED. AID PROJECT		

NOTE:
 ALL PAVEMENT MARKING LOCATIONS SHALL BE MARKED OUT AS SHOWN ON THESE PLANS BY THE RESIDENT ENGINEER AND/OR KURT GLAZIER (815-284-5478) WITH THE ILLINOIS DEPARTMENT OF TRANSPORTATION, IN ACCORDANCE WITH THE DISTRICT STANDARD 41.1.



REVISIONS	
NAME	DATE

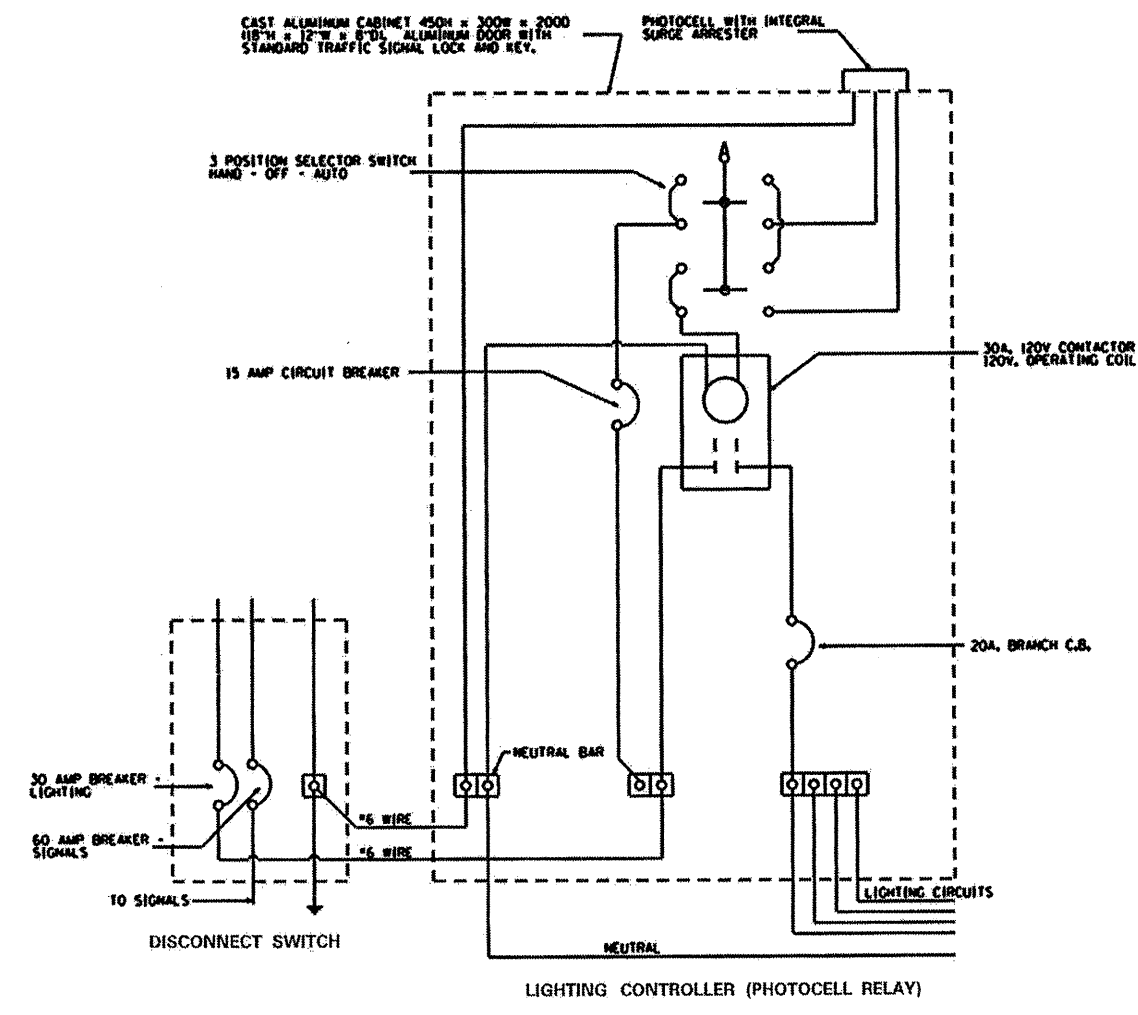
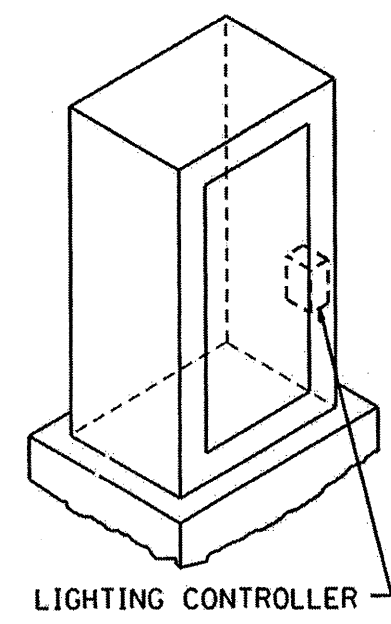
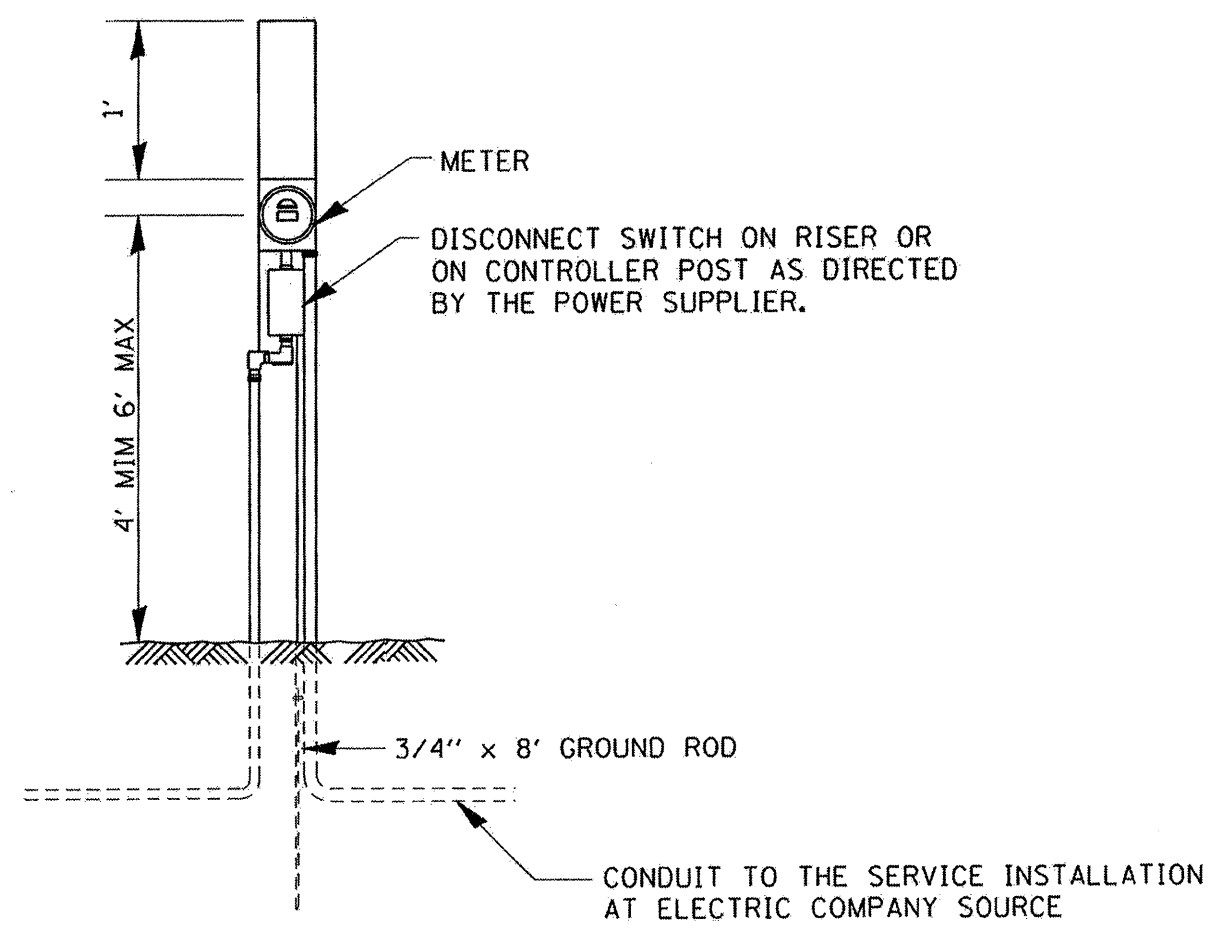
ILLINOIS DEPARTMENT OF TRANSPORTATION

SCALE: VERT. HORIZ. DATE

DRAWN BY CHECKED BY

PLOT DATE: 11/14/2008 10:30:38 AM
 PLOT SCALE: 1/8" = 1'-0"
 USER: NAME

CONTRACT NO. 64C89				
F.A.P. RTE.	SECTION	COUNTY	TOTAL SHEETS	SHEET NO.
301	24TS	JO DAVIESS	11	9
STA.		TO STA.		
FED. ROAD DIST. NO.	ILLINOIS	FED. AID PROJECT		



ELECTRIC SERVICE INSTALLATION, SPECIAL
 (SEE SPECIAL PROVISIONS)
 (DETAIL ONLY SHOW GENERAL SERVICE WHICH VARIES BY PROVIDERS)

REVISIONS	
NAME	DATE

ILLINOIS DEPARTMENT OF TRANSPORTATION

SCALE: VERT. DATE
 HORIZ.

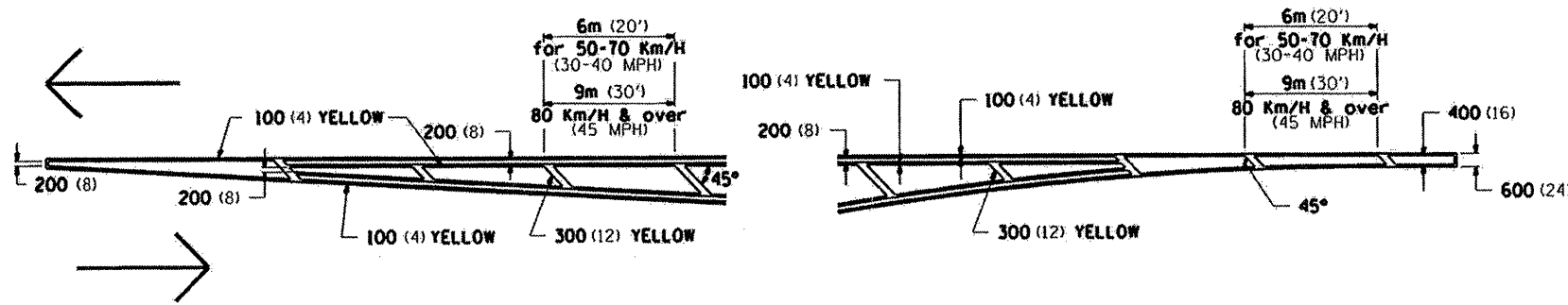
DRAWN BY
 CHECKED BY

PLOT DATE: 11/04/03 12:18:03 PM
 FILE NAME: I:\Projects\2003\64C89\64C89.dwg
 PLOT SCALE: 1/4" = 1'-0"
 USER NAME: JH101

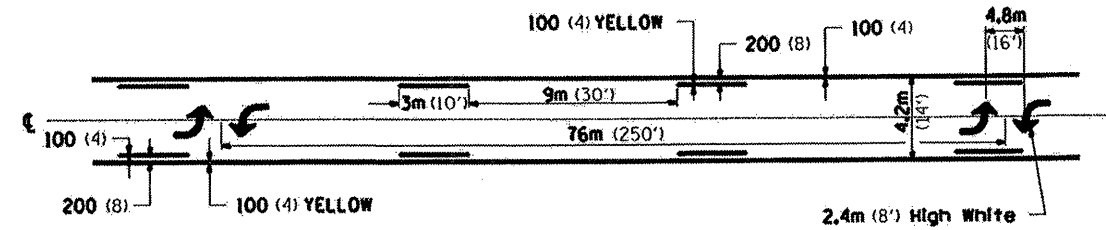
F.A.P. RTE.	SECTION	COUNTY	TOTAL SHEETS	SHEET NO.
301	24TS	JO DAVIESS	11	10
STA.		TO STA.		
FED. ROAD DIST. NO.		ILLINOIS FED. AID PROJECT		

TYPICAL PAVEMENT MARKINGS

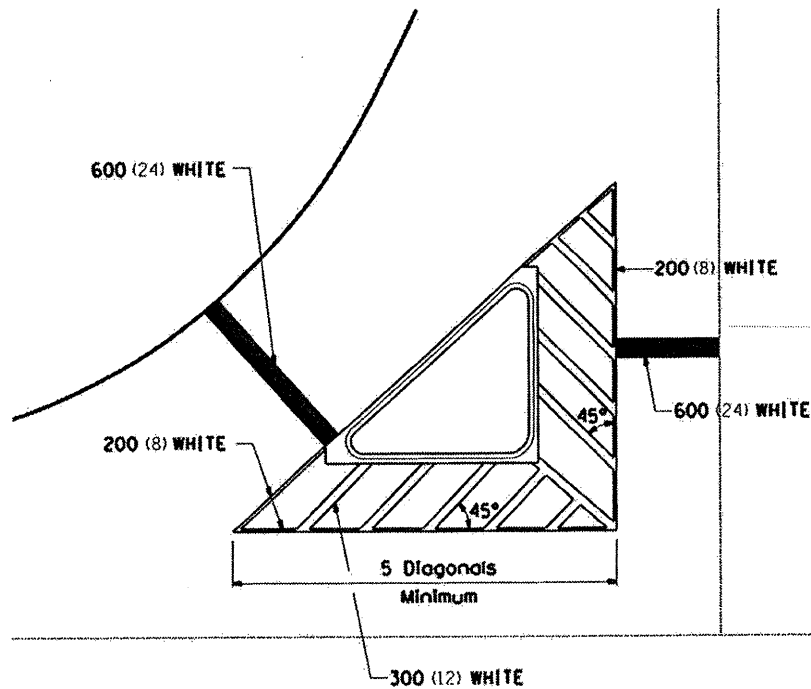
TYPICAL PAVEMENT MARKING FOR FLUSH MEDIAN AT LEFT TURN LANE



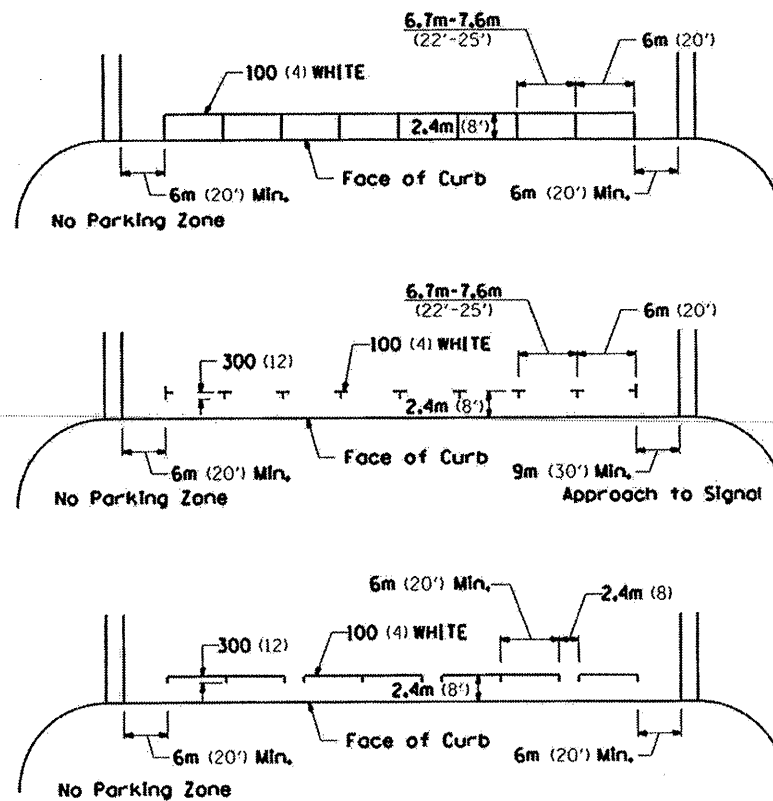
MEDIAN PAVEMENT MARKING



TYPICAL ISLAND OFFSET SHOULDER WIDTH

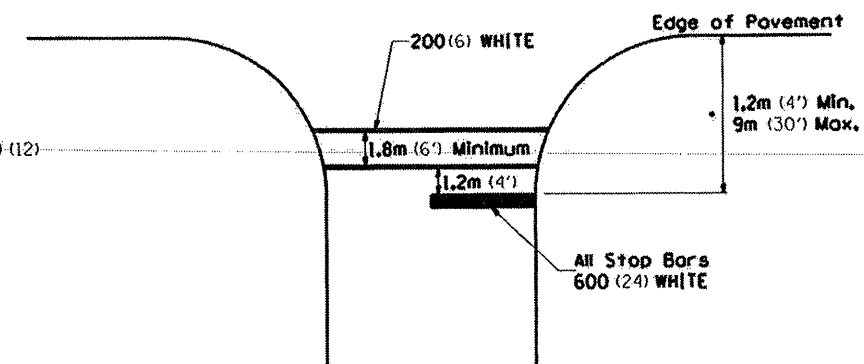


TYPICAL PARKING SPACING



** ALL DIMENSIONS ARE IN MILLIMETERS (INCHES) UNLESS OTHERWISE NOTED.

STANDARD CROSSWALK MARKING See Schedules for Locations



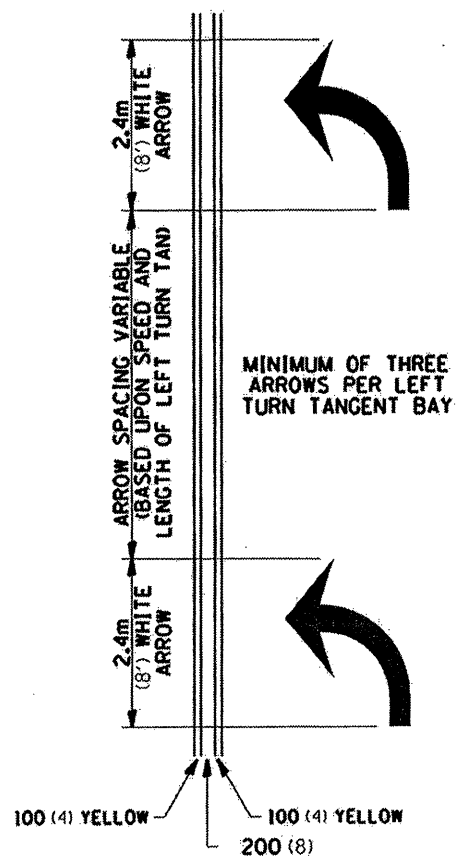
• Distance to the nearest edge of the intersecting roadway in the absence of a marked crosswalk.

PLOT DATE: 11/13/2008 10:20:42 AM
 FILE NAME: C:\WORK\2008\11\13\11111111.DWG
 PLOT SCALE: 1:1
 REFERENCE: 1:1

F.A.P. RTE.	SECTION	COUNTY	TOTAL SHEETS	SHEET NO.
301	24TS	JO DAVIESS	11	11
STA.	TO STA.			
FED. ROAD DIST. NO.	ILLINOIS FED. AID PROJECT			

TYPICAL PAVEMENT MARKINGS

ARROW LAYOUT

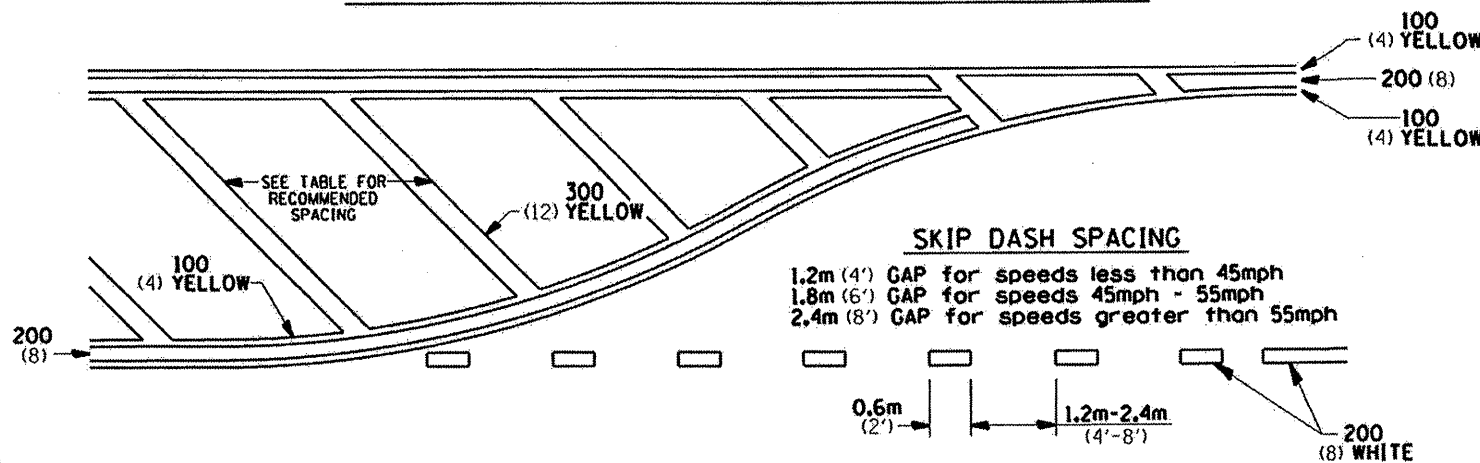


- ◀ ONE-WAY AMBER MARKER
- ◁ ONE-WAY CRYSTAL MARKER
- ◆ TWO-WAY AMBER MARKER

ALL DIMENSIONS ARE IN MILLIMETERS (INCHES) UNLESS OTHERWISE NOTED.

12.2m
6 at (40') O.C.
APPROACH SIDE ONLY

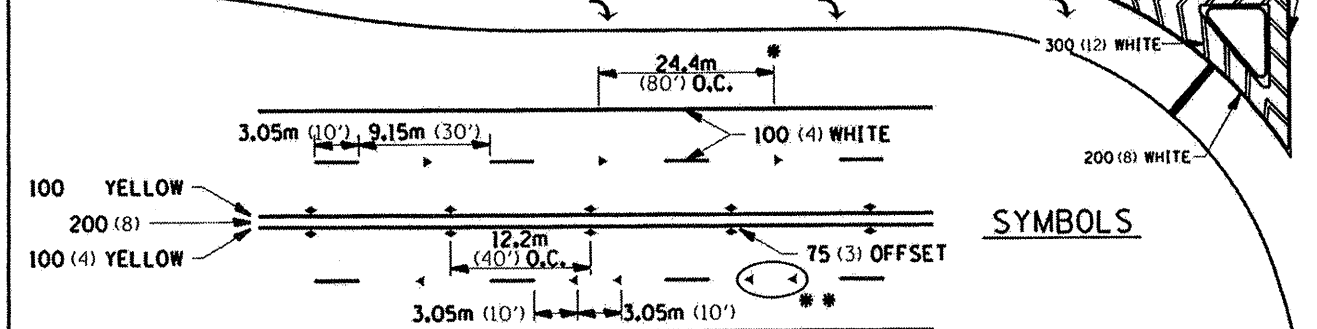
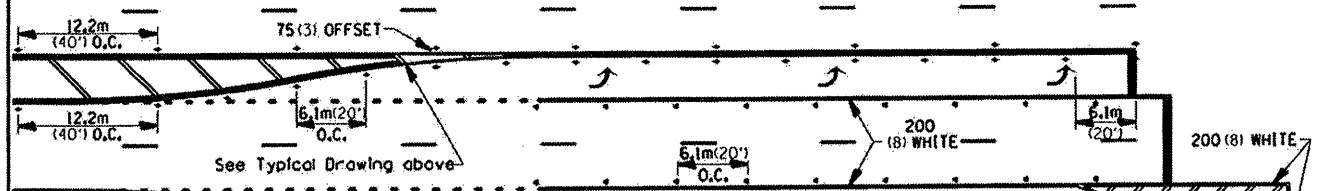
TYPICAL PAVEMENT MARKING FOR FLUSH MEDIAN



RECOMMENDED SPACING BETWEEN DIAGONALS (IN FEET)

Speed Limit Range	Continuous Median Area	Intersection Channelization	Objects (Islands)
less than 50km/H (30MPH)	15.3m (50')	4.53m (15')	3.05m (10')
50-60km/H (30-40MPH)	22.9m (75')	6.1m (20')	4.53m (15')
70km/H (45MPH) & over	22.9m (75')	9.05m (30')	6.1m (20')

NOTE: If the spacing recommended in the Table does not permit at least five diagonal lines in the area being marked, the spacing from the next lowest speed range should be used. The recommended spacing is measured parallel to the pavement center line.



- REDUCE TO 12.2m (40') O.C. ON CURVES WHERE ADVISORY SPEEDS ARE 15km/H (10MPH) LOWER THAN POSTED SPEEDS.
- USE DOUBLE MARKERS WHEN ADT ≥ 25,000

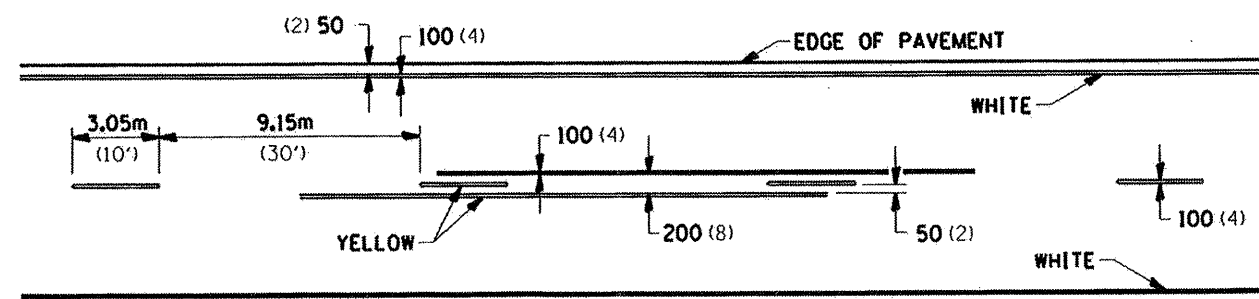
MULTI-LANE / UNDIVIDED

SYMBOLS

See Typical Drawing above

12.2m
6 at (40') O.C.
APPROACH SIDE ONLY

TYPICAL PAVEMENT MARKING FOR TWO LANE SECTION - NO PASSING ZONES



PLOT DATE: 1 Nov 12 10:48:28 AM
FILE NAME: \\s01-20\p01\proj\64cb9\64cb9_sheets\64cb9_s2.dwg
PLOT SCALE: 1:1
REFERENCE: SHEET 1