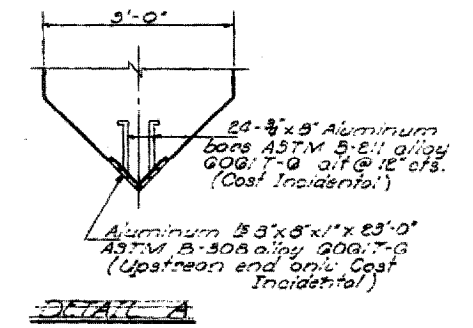
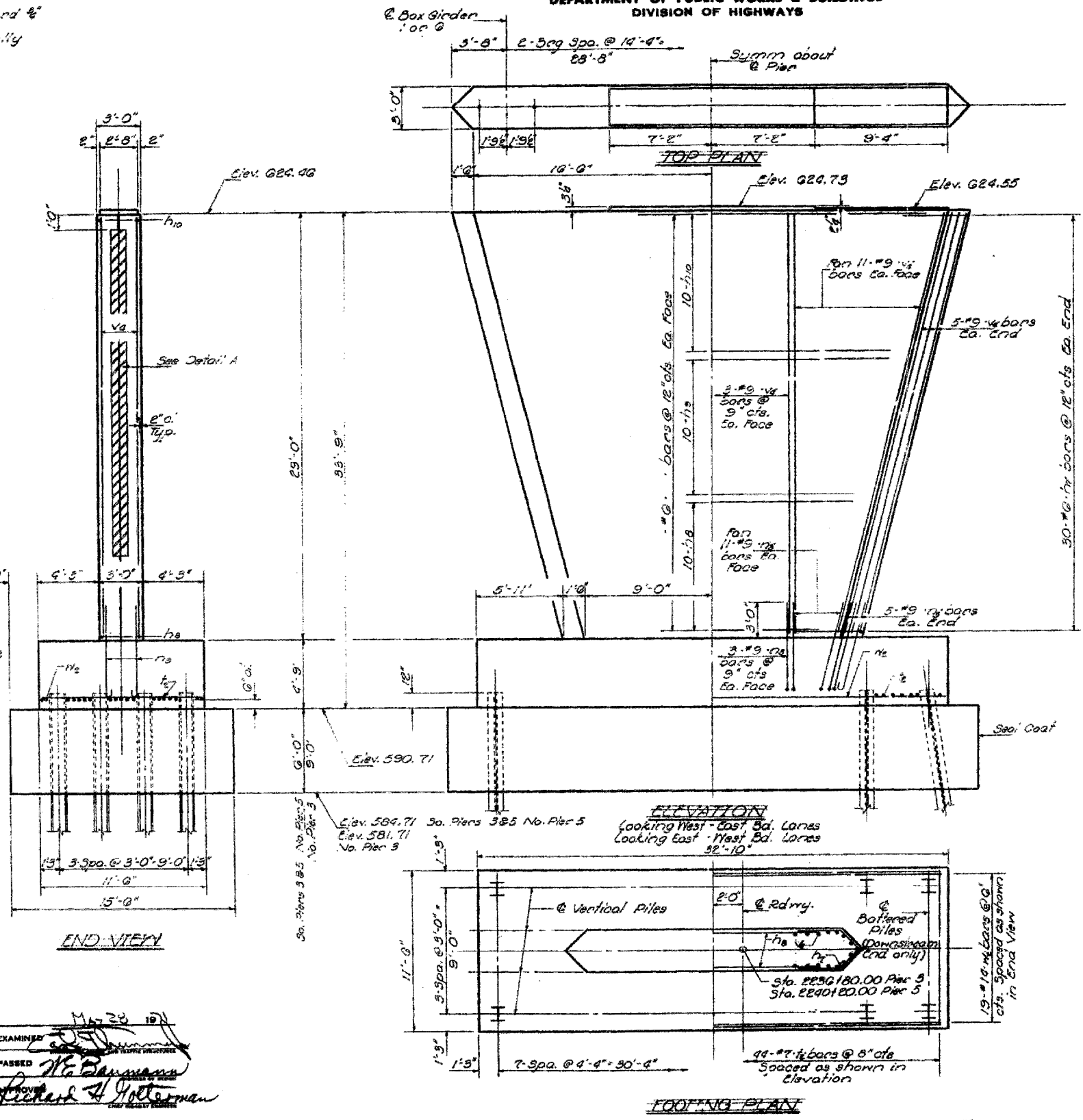


Notes
 Min. bar dia = 2d dia. unless
 otherwise noted.
 All edges shall have standard 45°
 chamfer except as noted.
 Four steps monolithically
 with cap.

STATE OF ILLINOIS
 DEPARTMENT OF PUBLIC WORKS & BUILDINGS
 DIVISION OF HIGHWAYS

PROJECT NO.	SECTION	COUNTY	TOTAL SHEETS	SHEET NO.
403-195-3B-3	WHITESIDE	32	24	22
SHEETS				



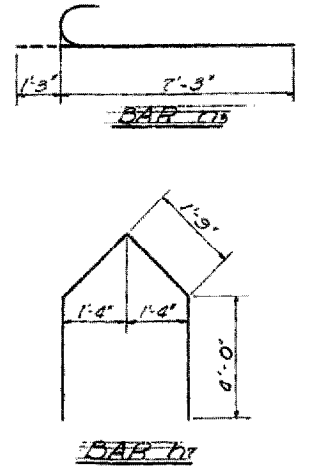
Notes:
 Drill holes for anchor bolts before
 the structural steel is erected.
 The cofferdam shall be flooded
 when the water level is above
 elevation 622.5.
 Seal Coat design based on pile lengths
 shown.

FOR INFORMATION ONLY

PILE DATA
 2.06 Steel 42" x 42"
 Capacity Drive to refusal.
 No. Req'd. 314 Test Pile No. 2943
 314 Test Pile No. 2945
 314 Test Pile No. 2946
 314 Test Pile No. 2947
 314 Test Pile No. 2948
 314 Test Pile No. 2949
 314 Test Pile No. 2950
 314 Test Pile No. 2951
 314 Test Pile No. 2952
 314 Test Pile No. 2953
 314 Test Pile No. 2954
 314 Test Pile No. 2955
 314 Test Pile No. 2956
 314 Test Pile No. 2957
 314 Test Pile No. 2958
 314 Test Pile No. 2959
 314 Test Pile No. 2960
 314 Test Pile No. 2961
 314 Test Pile No. 2962
 314 Test Pile No. 2963
 314 Test Pile No. 2964
 314 Test Pile No. 2965
 314 Test Pile No. 2966
 314 Test Pile No. 2967
 314 Test Pile No. 2968
 314 Test Pile No. 2969
 314 Test Pile No. 2970
 314 Test Pile No. 2971
 314 Test Pile No. 2972
 314 Test Pile No. 2973
 314 Test Pile No. 2974
 314 Test Pile No. 2975
 314 Test Pile No. 2976
 314 Test Pile No. 2977
 314 Test Pile No. 2978
 314 Test Pile No. 2979
 314 Test Pile No. 2980
 314 Test Pile No. 2981
 314 Test Pile No. 2982
 314 Test Pile No. 2983
 314 Test Pile No. 2984
 314 Test Pile No. 2985
 314 Test Pile No. 2986
 314 Test Pile No. 2987
 314 Test Pile No. 2988
 314 Test Pile No. 2989
 314 Test Pile No. 2990
 314 Test Pile No. 2991
 314 Test Pile No. 2992
 314 Test Pile No. 2993
 314 Test Pile No. 2994
 314 Test Pile No. 2995
 314 Test Pile No. 2996
 314 Test Pile No. 2997
 314 Test Pile No. 2998
 314 Test Pile No. 2999
 314 Test Pile No. 3000

FOUR PIERS
 SIZE OF MATERIAL

Bar No	Size	Length	Shape
h1	240 #6	11'-6"	U
h2	80 #6	17'-9"	U
h3	80 #6	23'-3"	U
h4	80 #6	23'-3"	U
h5	240 #6	6'-6"	U
t1	176 #7	11'-3"	U
v1	240 #9	28'-9"	U
w1	76 #14	32'-6"	U
Class X Concrete Cu. Yds 63.5			
Reinforcement Bars Lbs 65,810			
Steel Piles (HP10x42) Lin. Ft. 3720			
Test Piles (HP10x42) Each 4			
Seal Coat Concrete Cu. Yds 570.9			
Cofferdams Each 4			



PIER 385
 F.A. RT 403 SEC 195-3B-3
 WHITESIDE COUNTY
 STA. 22387+50.00

DESIGNED: J. W. Boyle
 CHECKED: James Pence
 DRAWN: J. SCHNELLER
 CHECKED: JP
 EXAMINED: [Signature]
 PASSED: [Signature]
 DATE: May 28 1971