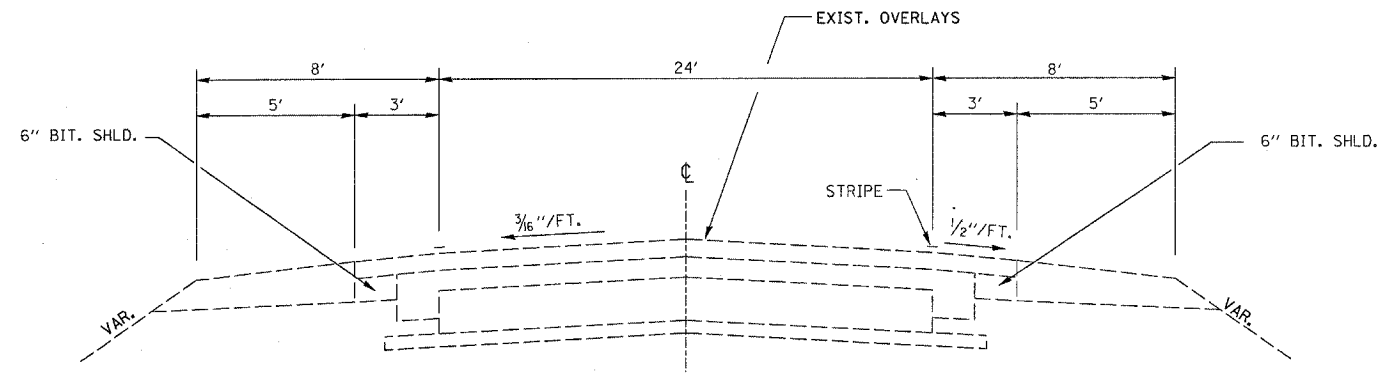
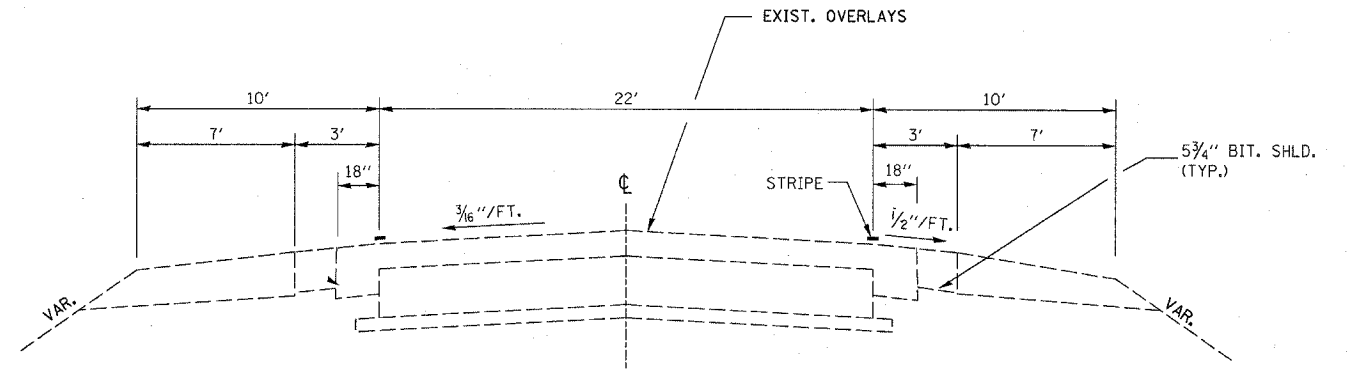


| F.A.P. RTE. | SECTION | COUNTY | TOTAL SHEETS | SHEET NO. |
|---------------------|-------------|---------------------------|--------------|-----------|
| 317 | (24,25)RS-2 | LIVINGSTON | 18 | 4 |
| STA. | | TO STA. | | |
| FED. ROAD DIST. NO. | | ILLINOIS FED. AID PROJECT | | |



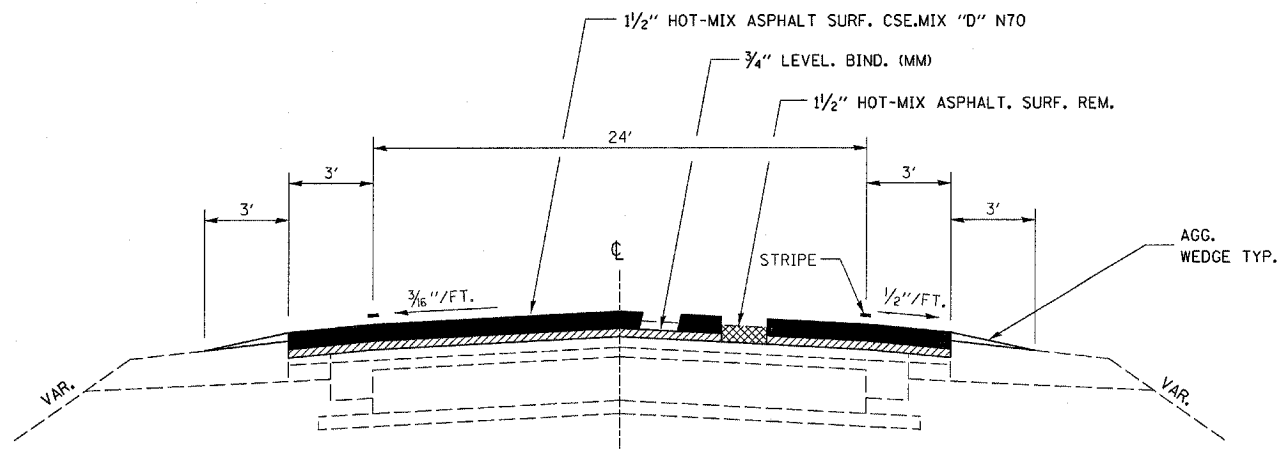
EXISTING TYPICAL

STA. 502+00 TO STA. 546+80



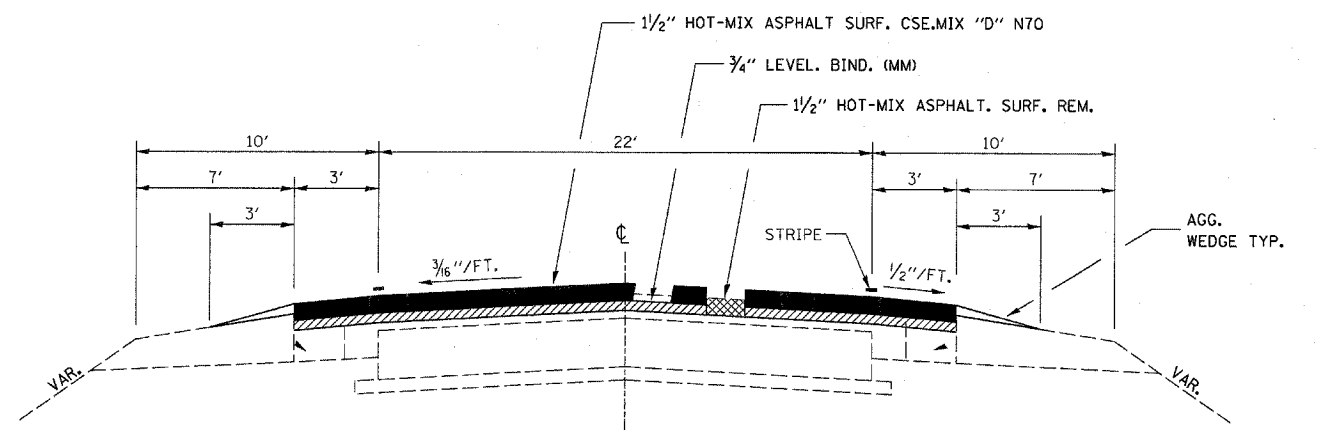
EXISTING TYPICAL

STA. 546+80 TO STA. 711+12.2
STA. 837+84.2 TO 961+86.6



PROPOSED TYPICAL

STA. 502+00 TO STA. 546+80



PROPOSED TYPICAL

STA. 546+80 TO STA. 711+12.2
STA. 837+84.2 TO 961+86.6