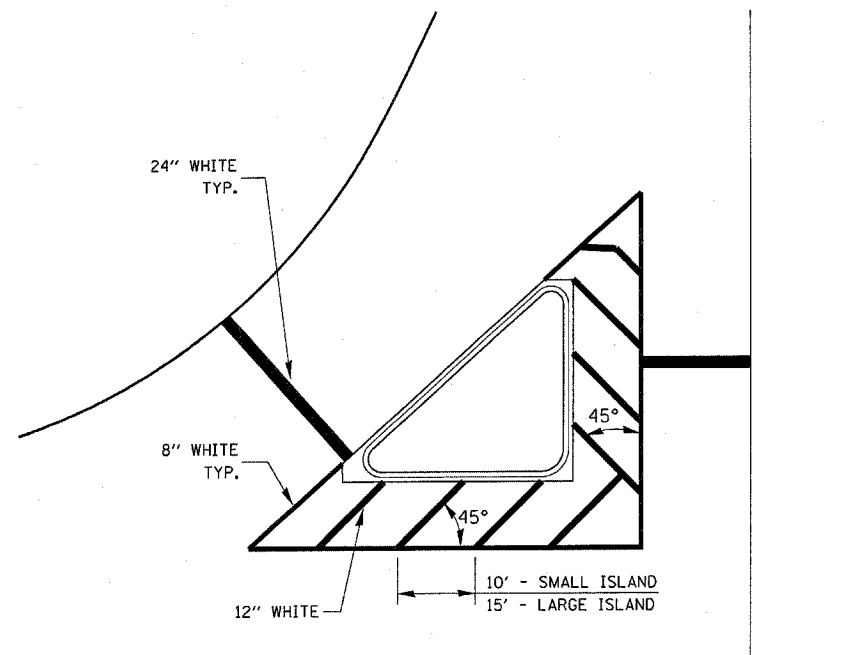
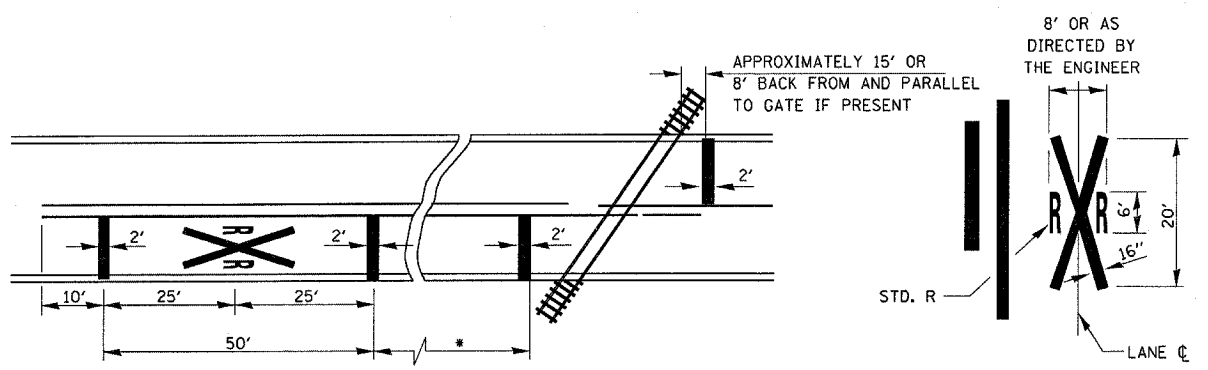


F.A. RTE.	SECTION	COUNTY	TOTAL SHEETS	SHEET NO.
317	(24,25)RS-2	LIVINGSTON	18	18
STA.		TO STA.		
FED. ROAD DIST. NO.		ILLINOIS FED. AID PROJECT 18		



TYPICAL ISLAND



* MINIMUM DISTANCE
 400' FOR 55 MPH
 250' FOR 45 MPH
 100' FOR 35 MPH OR LESS

NOTES:
 THE TRANSVERSE SPREAD OF THE "X"
 MAY VARY ACCORDING TO LANE WIDTH.

ON MULTI-LANE ROADS, THE STOP LINES
 SHALL EXTEND ACROSS ALL APPROACH
 LANES AND SEPARATE RXR SYMBOLS SHALL
 BE PLACED ADJACENT TO EACH OTHER
 IN EACH LANE.

**PAVEMENT MARKINGS AT
 RAILROAD-HIGHWAY GRADE CROSSING**

REVISIONS	
NAME	DATE

ILLINOIS DEPARTMENT OF TRANSPORTATION

DETAILS

SCALE: VERT. _____
 HORIZ. _____

DATE _____

DRAWN BY _____
 CHECKED BY _____

PLOT DATE = Apr 11, 2008 - 11:24:41 AM
 FILE NAME = c:\p\projects\66435\rs-2\pav\hwyrdgn
 PLOT SCALE = 02.9412 / IN.
 USER NAME = Perignone