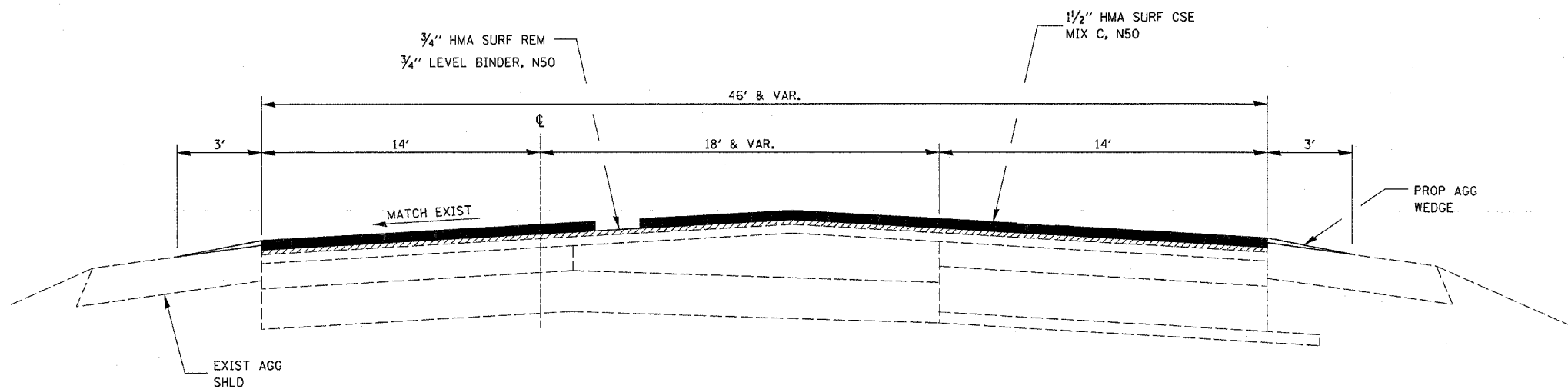
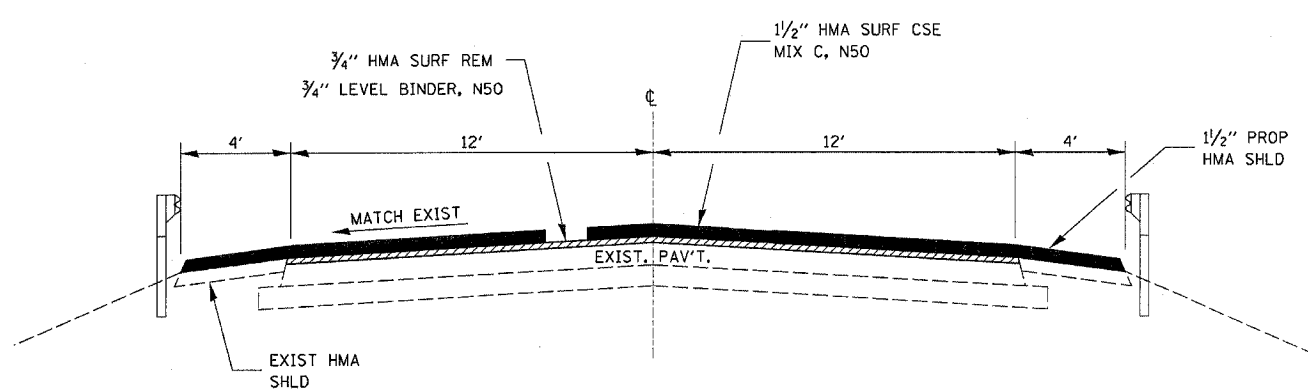


F. A.P. NO.	SECTION	COUNTY	TOTAL SHEETS	SHEET NO.
613	(B)RS-5	BUREAU	22	5
STA.		TO STA.		
FED. ROAD DIST. NO.	BLMOS	FED. AID PROJECT		



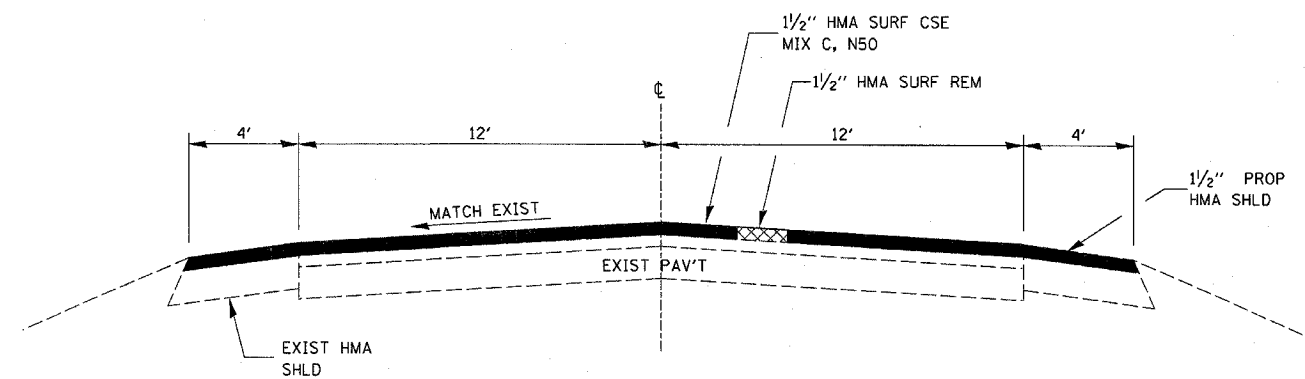
**TYPICAL SECTION**

STA 944+94 TO STA 960+00



**TYPICAL SECTION**

STA 960+00 TO STA 965+40



**TYPICAL SECTION**

STA 965+40 TO STA 966+95  
STA 968+25 TO STA 970+24

Mar 14, 2008 - 10:27:24 AM  
c:\projects\ed01507\defat1.dgn