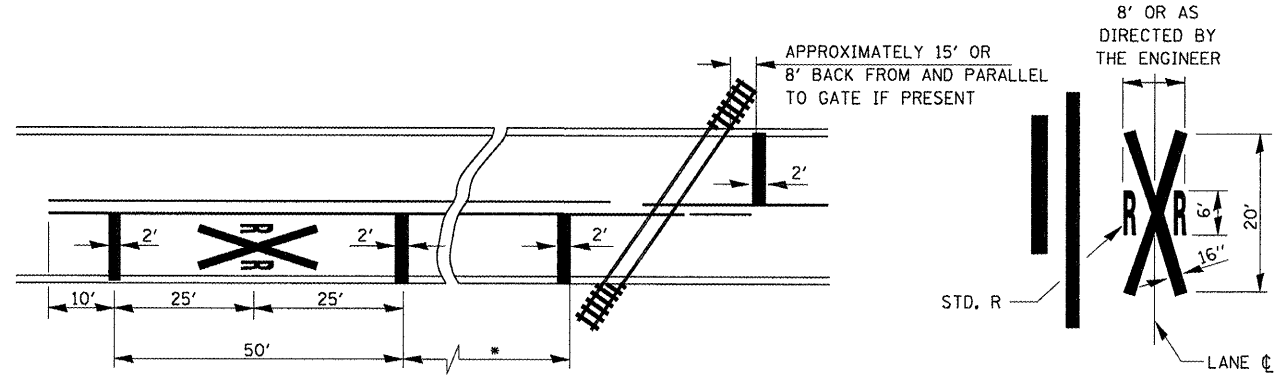


ISLAND SIGN POST SPACING DETAIL

NOTE: THE ENGINEER SHALL DETERMINE THE NUMBER OF OPENINGS REQUIRED.



PAVEMENT MARKINGS AT RAILROAD-HIGHWAY GRADE CROSSING

MINIMUM DISTANCE
 400' FOR 55 MPH
 250' FOR 45 MPH
 100' FOR 35 MPH OR LESS

NOTES:
 THE TRANSVERSE SPREAD OF THE "X"
 MAY VARY ACCORDING TO LANE WIDTH.

ON MULTI-LANE ROADS, THE STOP LINES
 SHALL EXTEND ACROSS ALL APPROACH
 LANES AND SEPARATE RXR SYMBOLS SHALL
 BE PLACED ADJACENT TO EACH OTHER
 IN EACH LANE.

FILE NAME = c:\projects\ed03208\details.dgn	USER NAME = corcoranlm	DESIGNED -	REVISED -	STATE OF ILLINOIS DEPARTMENT OF TRANSPORTATION	DETAILS				F.A.P. RTE.	SECTION	COUNTY	TOTAL SHEETS	SHEET NO.
	PLOT SCALE = 100,0000' / IN.	DRAWN -	REVISED -						41	(152)	LIVINGSTON	10	9
	PLOT DATE = Mar 17, 2008 - 08:51:07 AM	CHECKED -	REVISED -		REVISED -	SCALE:	SHEET NO.	OF	SHEETS	STA.	TO STA.	FED. ROAD DIST. NO.	ILLINOIS FED. AID PROJECT