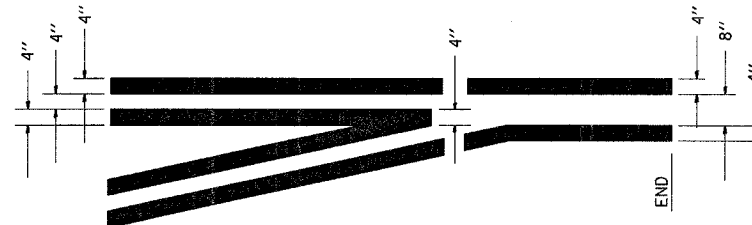
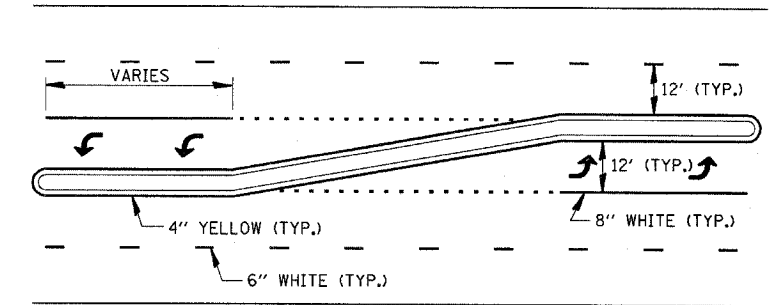


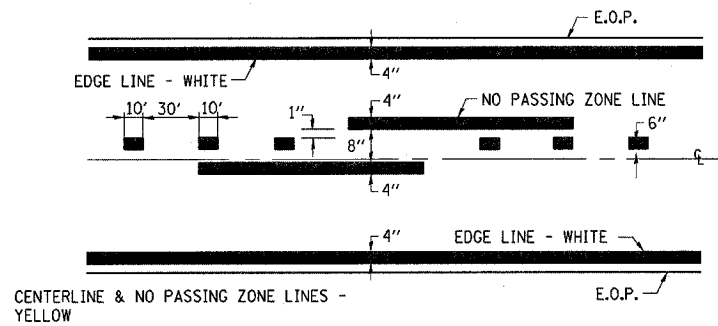
**TYPICAL APPLICATION @
BI-DIRECTIONAL TURN LANE**



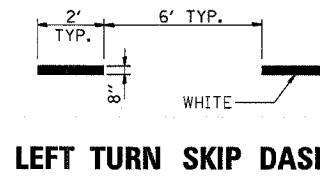
**TYPICAL APPLICATION
@ LEFT TURN LANES**



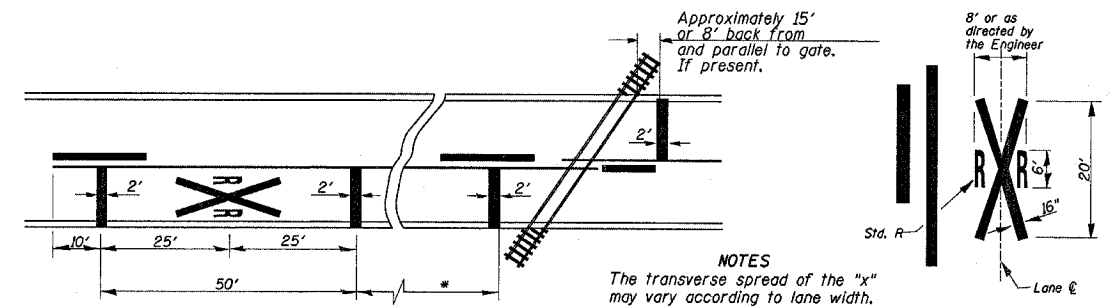
PAVEMENT MARKINGS STA. 113+35 TO STA. 135+74.61



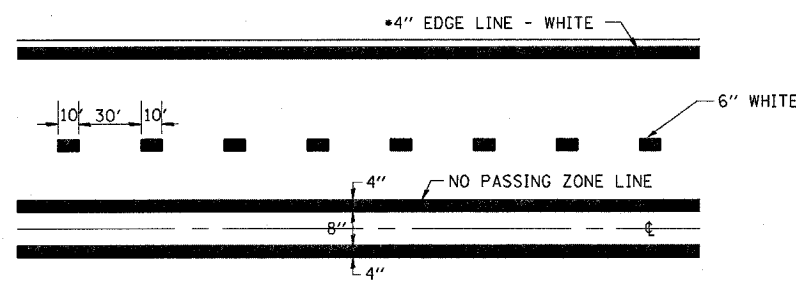
PAVEMENT MARKING



LEFT TURN SKIP DASH

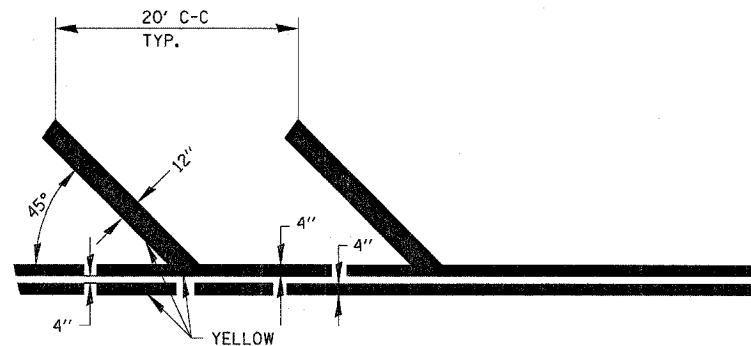


**PAVEMENT MARKINGS AT
RAILROAD-HIGHWAY GRADE CROSSING**

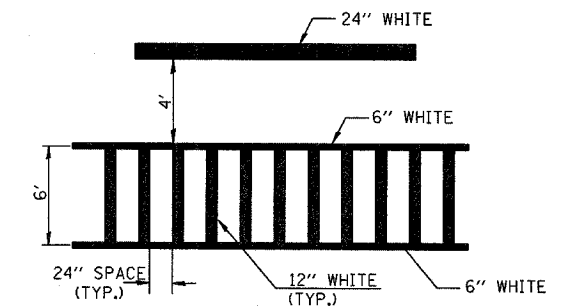


4-LANE PAVEMENT MARKING

- NOTES:
1. 11' LANE WIDTH STA. 0+99 TO STA. 67+18
12' LANE WIDTH STA. 113+35 TO STA. 135+57



MEDIAN PAVEMENT MARKING DETAILS



**TYPICAL SPACING DETAIL FOR
CROSSWALKS AND STOP BARS**

NOTE: 12" WHITE ONLY AT SCHOOL CROSSINGS
WITH CROSSING GUARD

| | | | |
|---|--|------------|-----------|
| FILE NAME = | USER NAME = carpenrtdj | DESIGNED - | REVISED - |
| cr\projects\366805\366805-sht-details.dgn | | DRAWN - | REVISED - |
| | PLOT SCALE = 20,000' / IN. | CHECKED - | REVISED - |
| | PLOT DATE = Mar 21, 2008 - 02:31:12 PM | DATE - | REVISED - |

**STATE OF ILLINOIS
DEPARTMENT OF TRANSPORTATION**

| | | | |
|----------------|-----------|-----------|--------------|
| DETAILS | | | |
| SCALE: | SHEET NO. | OF SHEETS | STA. TO STA. |

| | | | | |
|---------------------|------------------------|---------------------------|--------------|-----------|
| F.A.P. RTE. | SECTION | COUNTY | TOTAL SHEETS | SHEET NO. |
| 623/790 | (30,30X1,2)RS-3&(ERS-1 | LASALLE | 24 | 23 |
| FED. ROAD DIST. NO. | | ILLINOIS FED. AID PROJECT | | |
| CONTRACT NO. 66805 | | | | |