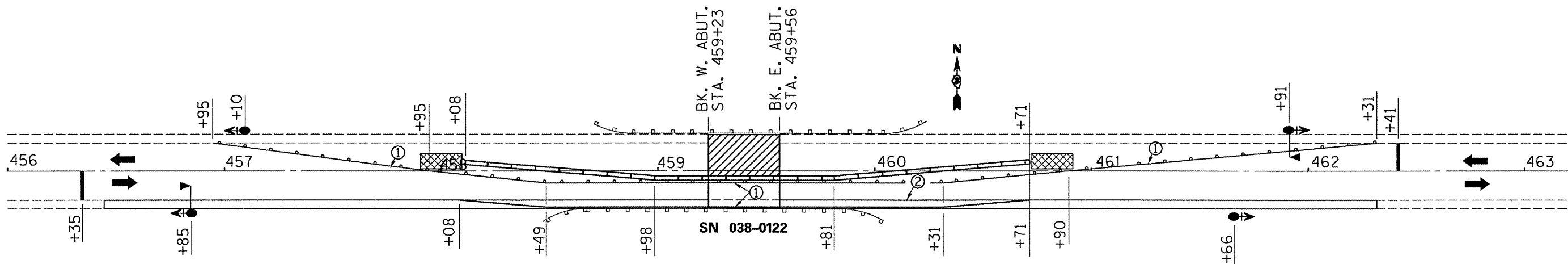


CROSS SECTION
LOOKING EAST

NOTES:

1. THE CONTRACTOR HAS THE OPTION OF USING EITHER THE LINE ON THE TEMPORARY CONCRETE BARRIER OR ON THE PAVEMENT.
2. THE COST OF THE REFLECTORS AND THE BARRIER/PAVEMENT MARKING LINE IS INCLUDED IN THE COST OF THE TEMPORARY CONCRETE BARRIER.
3. THE COST OF THE TEMPOARY PAVEMENT MARKING IS INCLUDED IN THE COST OF STANDARD 701321



- ① TEMPORARY PAVEMENT MARKING LINE 4"
- ② PAVEMENT MARKING REMOVAL

BILL OF MATERIAL

PAVEMENT MARKING REMOVAL	SQ FT	154
TEMPORARY CONCRETE BARRIER	FOOT	263
IMPACT ATTENUATOR, TEMPORARY (NON-REDIRECTIVE, TEST LEVEL 3)	EACH	2
THERMOPLASTIC PAVEMENT MARKING - LINE 4"	FOOT	87
THERMOPLASTIC PAVEMENT MARKING - LINE 6"	FOOT	134

SYMBOLS

Work area

Sign

Type III barricade

Microwave detector

Traffic signal with backplate

Impact attenuator

Drum with steady burning light at 25' cts.

Temporary concrete barrier

Double vertical panel at 25' cts.

Crystal, bidirectional barrier wall/guardrail marker at 25' cts.

SEE STANDARD 701321 FOR DETAILS NOT SHOWN

FILE NAME =	USER NAME = woodshankr1	DESIGNED - RLW	REVISED -
c:\projects\deck beam rep1 08\sn 038-012.dgn		DRAWN - RLW	REVISED -
PLOT SCALE = 103.5775 "/td> <td></td> <td>CHECKED -</td> <td>REVISED -</td>		CHECKED -	REVISED -
PLOT DATE = Mar 21, 2008 - 02:06:05 PM		DATE -	REVISED -

STATE OF ILLINOIS
DEPARTMENT OF TRANSPORTATION

STAGING DETAILS - STAGE II

SCALE: SHEET NO. 1 OF 1 SHEETS STA. TO STA.

F.A.P. RTE. 681	SECTION (117BR)	COUNTY IROUOIS	TOTAL SHEETS 13	SHEET NO. 6
CONTRACT NO. 66817				
FED. ROAD DIST. NO. - ILLINOIS FED. AID PROJECT				