

NEW SLAB

EXISTING SLAB

SECTIONS THRU SLAB

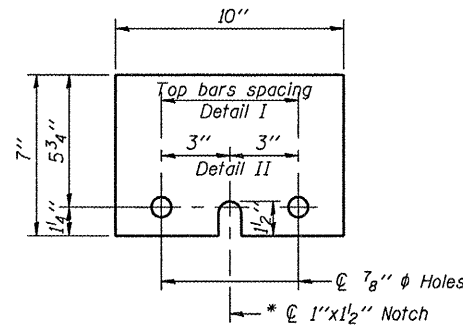
See Detail I or Detail II.

Styrofoam Pads (NJ Shape only) See Standard 704001

Drill 1/4" φ Holes in existing slab for 1" φ x 10" dowel bars. Traffic side only. Cost included with Temporary Concrete Barrier.

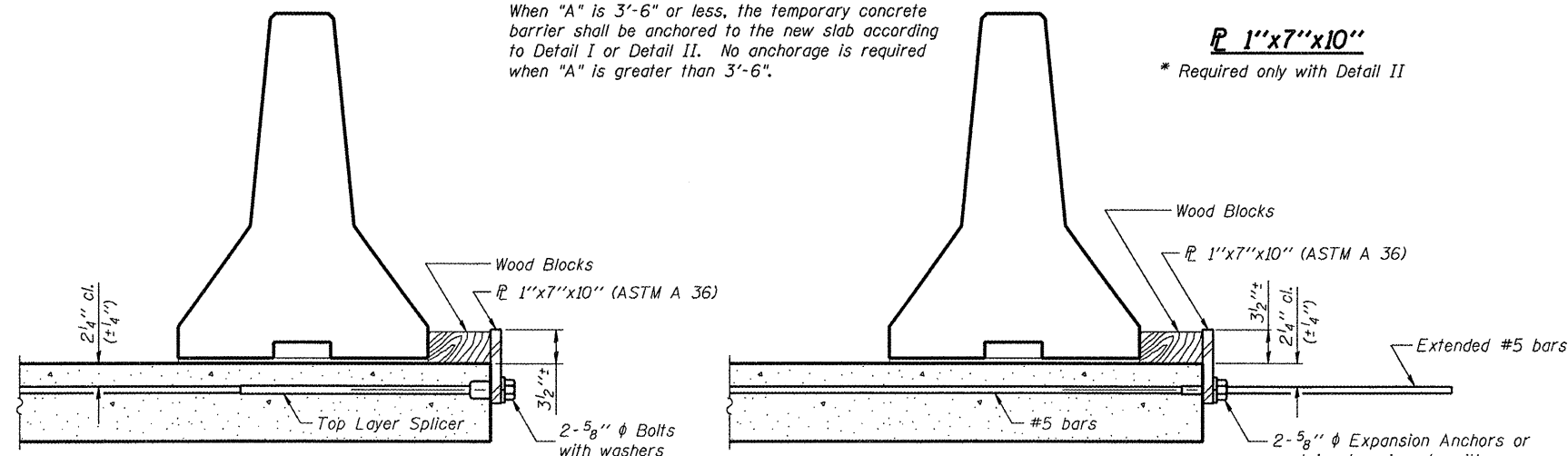
NOTES

- Detail I - With Bar Splicer or Couplers: Connect one (1) 1"x7"x10" steel \bar{P} to the top layer of couplers with 2-5/8" φ bolts screwed to coupler at approximate \bar{C} of each barrier panel.
 - Detail II - With Extended Reinforcement Bars: Connect one (1) 1"x7"x10" steel \bar{P} to the concrete slab with 2-5/8" φ Expansion Anchors or cast in place inserts spaced between the top layer of reinforcement at approximate \bar{C} of each barrier panel.
- Cost of anchorage is included with Temporary Concrete Barrier.



\bar{P} 1"x7"x10"
* Required only with Detail II

When "A" is 3'-6" or less, the temporary concrete barrier shall be anchored to the new slab according to Detail I or Detail II. No anchorage is required when "A" is greater than 3'-6".

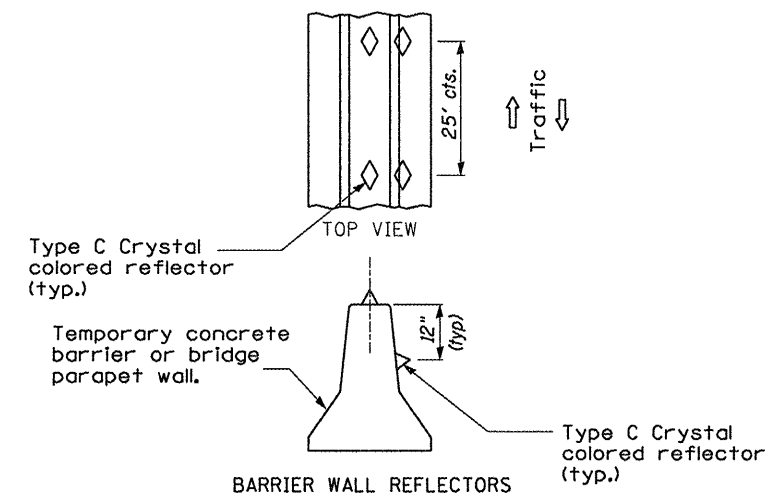


DETAIL I

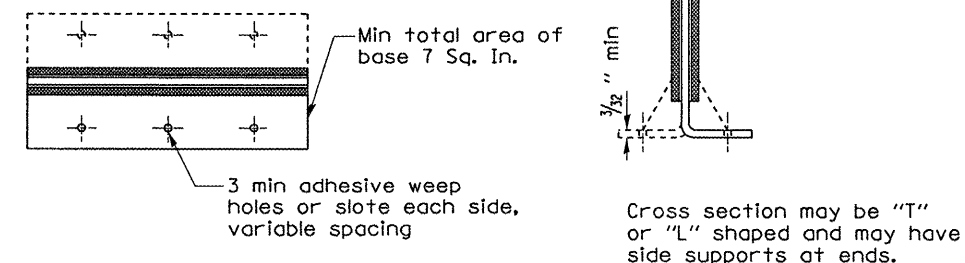
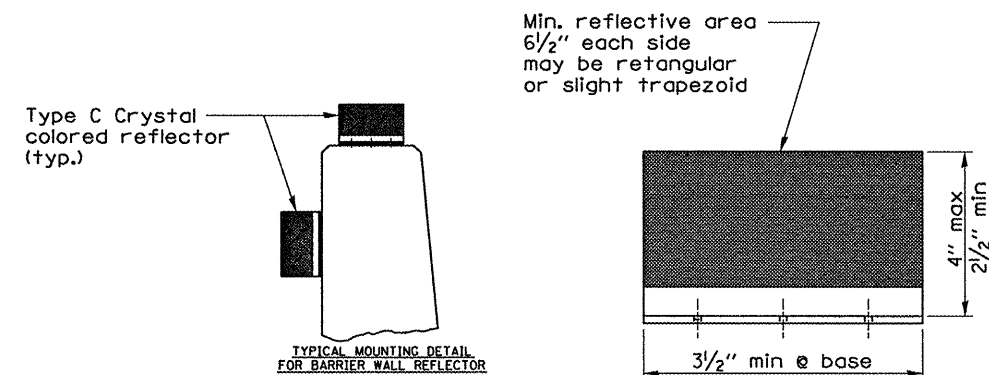
The 1"x7"x10" Plate shall not be removed until Stage II Construction forms and reinforcement bars are in place.

DETAIL II

The 1"x7"x10" Plate shall not be removed until Stage II Construction forms and all reinforcement bars are in place and the concrete is ready to be placed.



DETAIL A



TYPE C REFLECTOR

FILE NAME = c:\projects\deck beam repl 08\an 038-012.dgn	USER NAME = woodshankr1	DESIGNED - RLW	REVISED -	STATE OF ILLINOIS DEPARTMENT OF TRANSPORTATION	TEMPORARY CONCRETE BARRIER	F.A.P. RTE. 681	SECTION (117BR1)	COUNTY IROUOIS	TOTAL SHEETS 13	SHEET NO. 7		
PLOT SCALE = 103.5775' / IN.	CHECKED -	REVISED -	REVISED -			SCALE: _____	SHEET NO. 1 OF 1 SHEETS	STA. _____ TO STA. _____	CONTRACT NO. 66817			
PLOT DATE = Mar 21, 2008 - 02:06:12 PM	DATE -	REVISED -	REVISED -			FED. ROAD DIST. NO. _____ ILLINOIS FED. AID PROJECT						