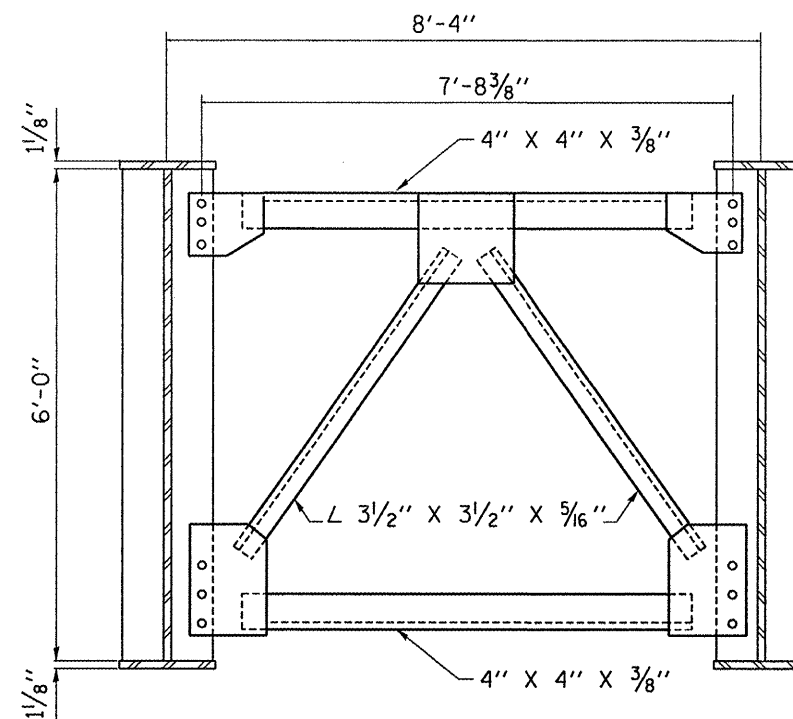
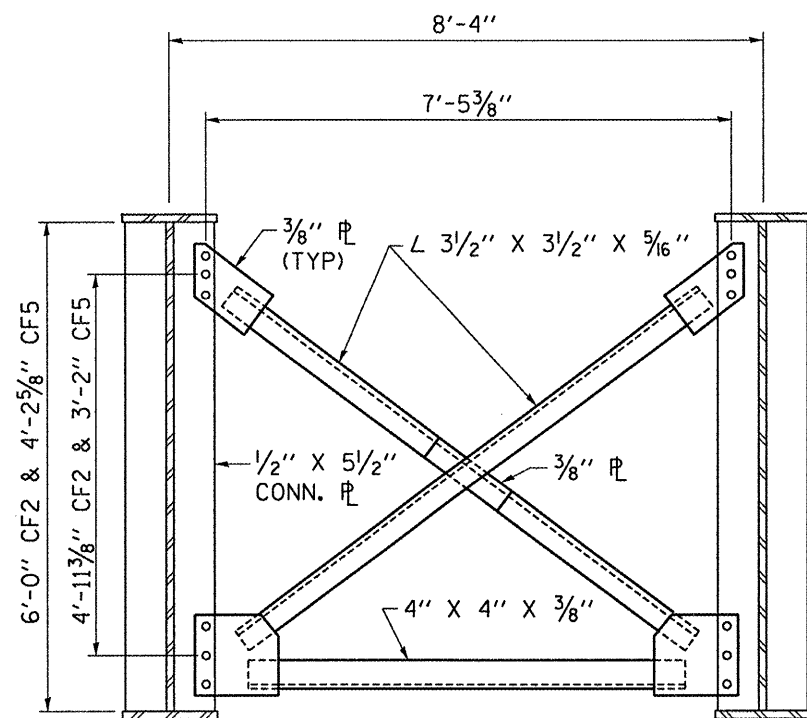


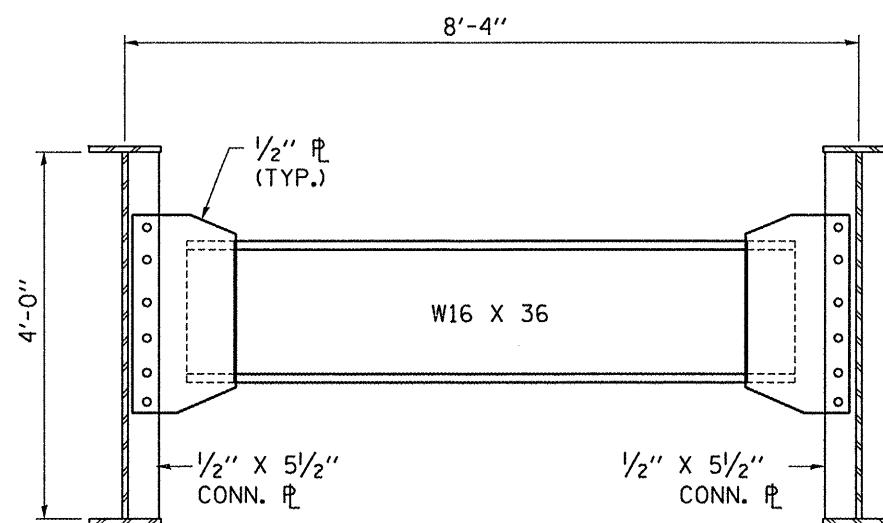
CROSS FRAME CF1
6 REQ'D.



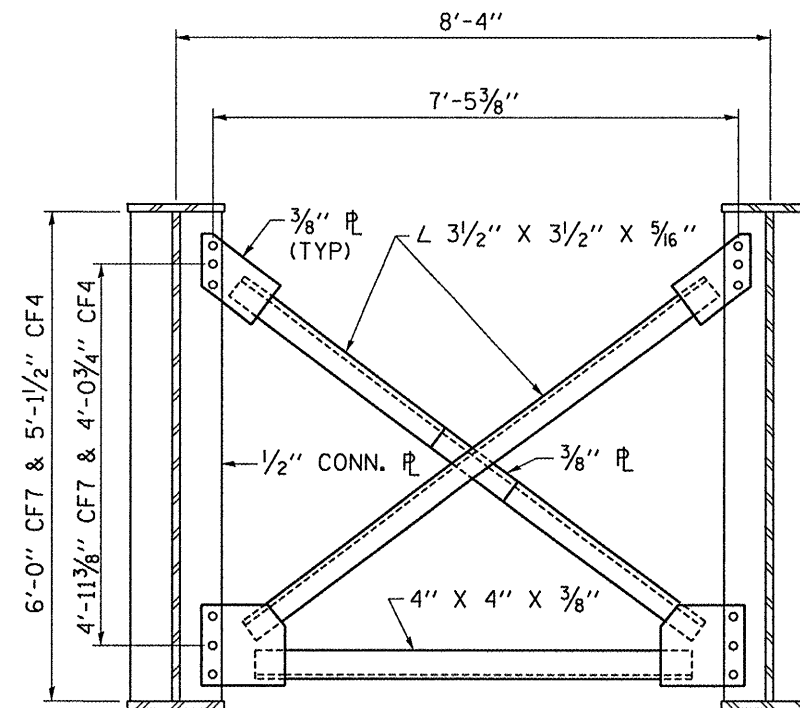
CROSS FRAME CF3
6 REQ'D.



CROSS FRAME CF2 & CF5



CROSS FRAME CF6



CROSS FRAME CF4 & CF7

THIS SHEET FOR INFORMATION ONLY

FILE NAME =	USER NAME = woodshenkr1	DESIGNED - RON WOODSHANK	REVISED -
ca:\projects\bridgepoint.08\046-0113 & 027-0071.dgn		DRAWN - RON WOODSHANK	REVISED -
	PLOT SCALE = 206.8058' / IN.	CHECKED -	REVISED -
	PLOT DATE = Apr 28, 2008 - 02:28:36 PM	DATE -	REVISED -

**STATE OF ILLINOIS
DEPARTMENT OF TRANSPORTATION**

**EXISTING STRUCTURE PLANS
BRIDGE LOCATION 1 - SN 046-0113**

SCALE: SHEET NO. 3 OF 3 SHEETS

FAL/FAP RTE.	SECTION	COUNTY	TOTAL SHEETS	SHEET NO.
57/796	146-3HBRIBP & 1106BRIBP	KANKAKEE/FORD	14	11
FED. ROAD DIST. NO.			CONTRACT NO. 66846	
ILLINOIS				