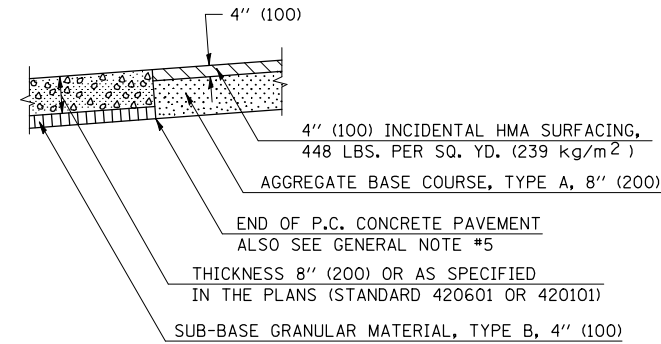
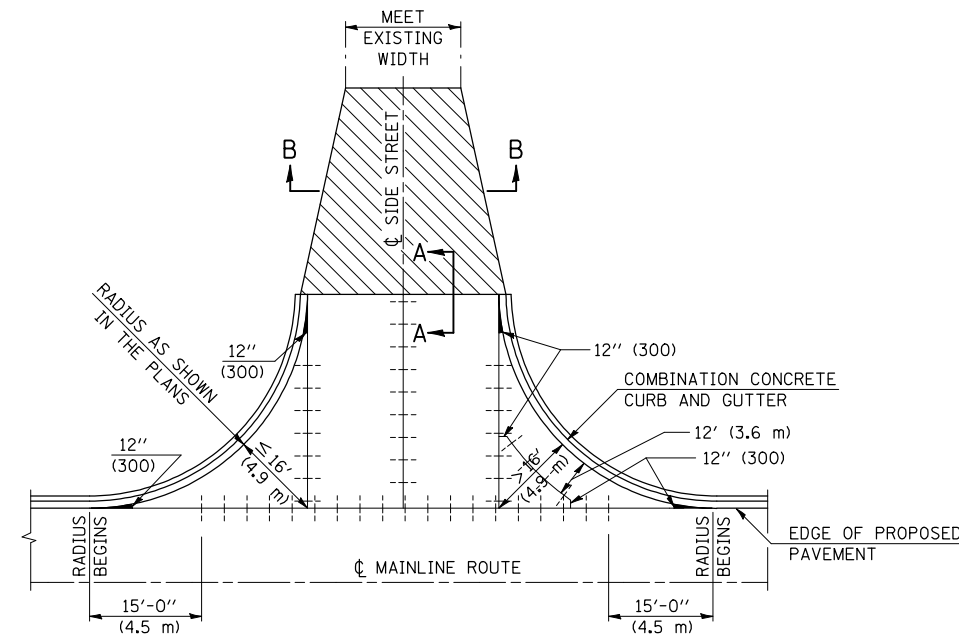


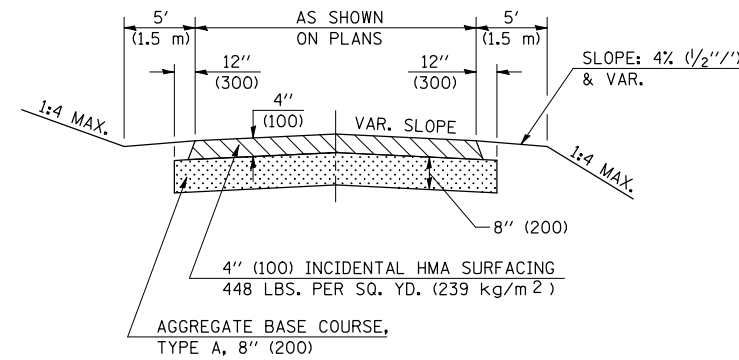
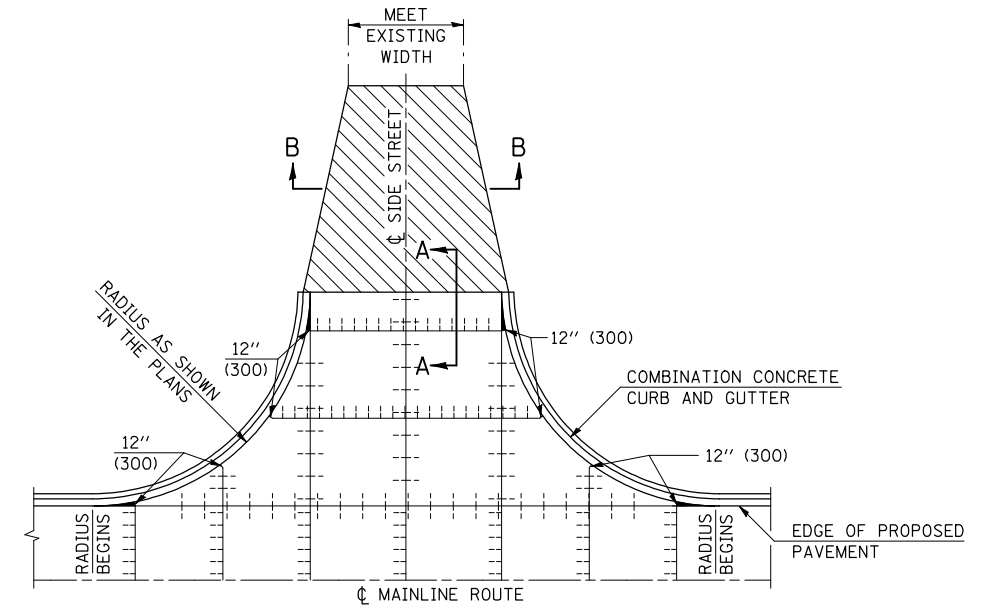
**NEW CONSTRUCTION  
(3 R" IMPROVEMENTS)**

(ADJACENT TO RESURFACING OR WIDENING AND RESURFACING)



**SECTION A-A**

(ADJACENT TO JOINTED P.C.C. PAVEMENT)



**SECTION B-B**

**GENERAL NOTES**

- ALL INTERSECTING SIDE STREETS SHALL BE CONSTRUCTED IN ACCORDANCE WITH THIS DETAIL EXCEPT THOSE NOTED IN THE PLANS.
- SAWED LONGITUDINAL JOINTS WITH TIE BARS WILL BE ALLOWED ALONG THE CENTERLINE ONLY WHEN THE STREET RETURN IS POURED FULL WIDTH. OTHER LONGITUDINAL JOINTS SHALL BE ACCORDING TO STANDARD 420001.
- THE MATERIAL WITHIN THE WIDTH TRANSITION AREA MAY BE DIFFERENT THAN SHOWN ABOVE. THE WIDTH TRANSITION MAY NOT BE REQUIRED AT ALL LOCATIONS.
- SHADED AREAS SHALL BE POURED MONOLITHIC WITH ADJACENT COMBINATION CONCRETE CURB AND GUTTER. THIS WORK WILL BE MEASURED AND INCLUDED IN THE CONTRACT UNIT PRICE PER SQUARE YARD (m<sup>2</sup>) FOR PORTLAND CEMENT CONCRETE PAVEMENT (JOINTED) OF THE TYPE AND THICKNESS SPECIFIED IN THE PLANS.
- SAWED CONTRACTION JOINTS, AS SHOWN IN STANDARD 420001, SHALL BE REQUIRED AT 12' (3.6 m) TO 18' (5.5 m) SPACING FOR JOINTED PCC PAVEMENT AND AT 40' (12.2 m) (MIN. SPACING 20' (6.1 m)) WHEN THE LENGTH OF THE RETURN EXCEEDS 40' (12.2 m).
- JOINT SPACING, MONOLITHIC POURS AND OTHER FEATURES MAY BE MODIFIED TO MAINTAIN ALIGNMENT OF JOINTS BETWEEN ADJACENT PANELS. SEE PAVEMENT JOINT PLANS.
- PLACEMENT OF PAVEMENT FABRIC SHALL BE AS SHOWN ON THE STANDARDS INCLUDED WITH THIS IMPROVEMENT.

URBAN SIDEROAD DESIGN STANDARDS (PPM 40-06)									
DESIGN ELEMENT	New Construction OR 3R (Existing Width Less Than 20 ft)			3R (Existing Width 20 ft or Greater) OR 3P			SMART or Contract Maintenance		
	min.	des.	max.	min.	des.	max.	min.	des.	max.
<b>SURFACE WIDTH (FT);</b> (measured at end of radius or row line; greatest distance from edge of traveled way)	30 f-f	30 f-f	Coordinate with Geometrics Engineer	resurface existing configuration to completion of radius return or row line; greatest distance from edge of traveled way; major sideroads (> 400 adt) shall have "butt joints" constructed whether the entrance is hma or pcc; minor sideroads (< 400 adt) shall have "featheredge rundown" as shown in district cadd detail 406AAAAA			resurface existing configuration with the completion of a 10 ft. featheredge rundown for ALL sideroads as shown in district cadd detail 406AAAAA		
<b>RADIUS (FT)</b>	30	30							
<b>ENTRANCE GRADE (%)</b>	1	1 to 4	4						
<b>BREAKOVER (%)</b>	0	5	10						
<b>INTERSECTION ANGLE</b>	60	75 to 90							
<b>SURFACE TYPE</b>									
<b>INCIDENTAL HMA SURFACING (INCH)</b>	4			taper from 2 1/4" to 1 1/2" or featheredge			taper from 1 1/2" to featheredge		
<b>AGGREGATE BASE COURSE, TYPE A (INCH)</b>	8	4		if applicable use item: 35800100 Preparation of Base					
<b>PCC PAVEMENT (INCH)</b>		8							

**LEGEND**

- LONGITUDINAL JOINT WITH TIE BARS (STANDARD 420001)
- INCIDENTAL HMA SURFACING OVER AGGREGATE BASE COURSE (SEE SECTION A-A) (SEE NOTE #5)
- SAWED CONTRACTION JOINT WITH TIE BARS (STANDARD 420001)

Note: All dimensions are in INCHES (millimeters) unless otherwise shown.

**DISTRICT 5 DETAIL NO. 420030A**

FILE NAME =	USER NAME = craige	DESIGNED -	REVISED - 11/06 TJB
ct:\projects\d503606 (v8)\70516-details.dgn		DRAWN -	REVISED - 09/07 KAG
	PLOT SCALE = 40.0000' / IN.	CHECKED -	REVISED -
	PLOT DATE = 3/25/2008	DATE -	REVISED -

**STATE OF ILLINOIS  
DEPARTMENT OF TRANSPORTATION**

**INTERSECTING SIDE STREETS (URBAN)**

SCALE: SHEET NO. OF SHEETS STA. TO STA.

F.A.P. RTE.	SECTION	COUNTY	TOTAL SHEETS	SHEET NO.
730	(56)RS-2	MCLEAN	51	36
CONTRACT NO. 70516				
FED. ROAD DIST. NO.	ILLINOIS	FED. AID PROJECT		