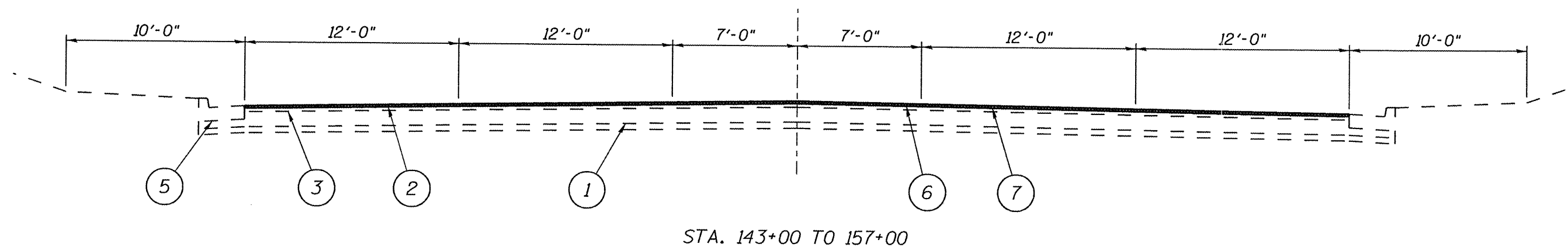


STA. 135+00 TO 143+00



STA. 143+00 TO 157+00

LEGEND

- 1 - EXIST. PAVEMENT
- 2 - EXIST. H.M.A. SURFACE COURSE 1 1/2"
- 3 - EXIST. H.M.A. BINDER COURSE 2 1/2"
- 4 - EXIST. H.M.A. SHOULDER
- 5 - EXIST. CURB AND GUTTER, TYPE B-6.24
- 6 - PROP. H.M.A. SURFACE REMOVAL 1 1/2"
- 7 - PROP. POLY. H.M.A. SURFACE COURSE, MIX D, N70 1 1/2"

TYPICALS
FAP 745 (IL 104)
SECTION 1031-2, 1041-1
ADAMS COUNTY