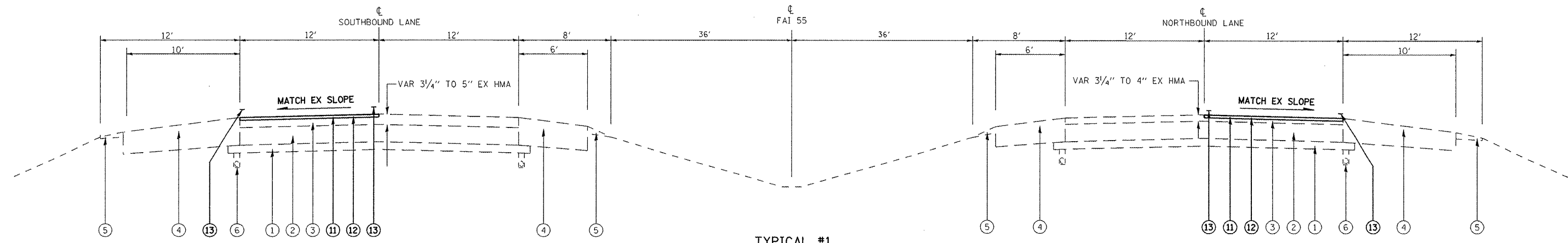


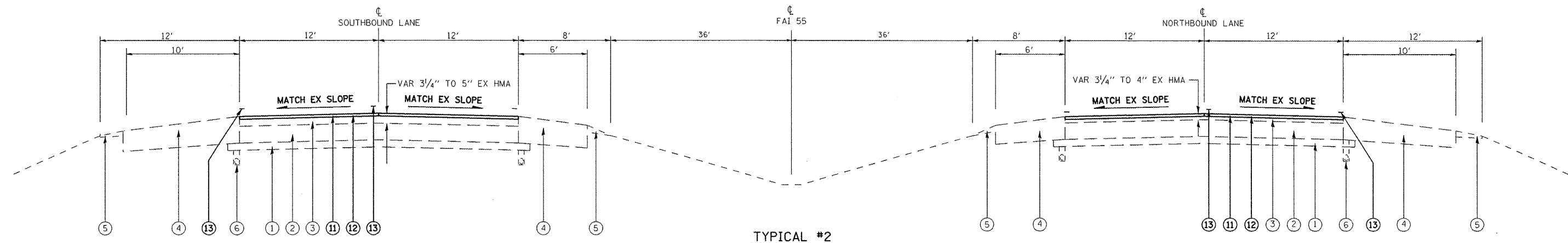
CONTRACT 72C03				
F.A.I. RTE.	SECTION	COUNTY	TOTAL SHEETS	SHEET NO.
55	*	MACOUPIN	18	4
STA.		TO STA.		
FED. ROAD DIST. NO.		ILLINOIS FED. AID PROJECT		

• D6 INTERMITTENT RS 2009



TYPICAL #1
FAI - 55

- | | |
|-----------------------------|-----------------------------|
| NB STA 300+00 TO STA 347+00 | NB STA 597+00 TO STA 610+00 |
| NB STA 394+00 TO STA 459+00 | NB STA 616+00 TO STA 620+00 |
| SB STA 425+00 TO STA 447+00 | NB STA 625+00 TO STA 635+00 |
| SB STA 454+00 TO STA 474+00 | NB STA 638+00 TO STA 647+00 |
| SB STA 508+00 TO STA 513+00 | NB STA 678+48 TO STA 689+00 |
| SB STA 518+00 TO STA 524+00 | NB STA 796+00 TO STA 806+00 |
| NB STA 548+00 TO STA 552+00 | NB STA 173+50 TO STA 245+50 |



TYPICAL #2
FAI - 55

- SB STA 675+05 TO STA 676+05
 NB STA 675+30 TO STA 676+30
 SB STA 677+37 TO STA 678+37
 NB STA 677+48 TO STA 678+48

EXISTING LEGEND	PROPOSED LEGEND
① EX GRANULAR MATERIAL 4"	⑪ PR HOT-MIX ASPHALT SURFACE REMOVAL, 1 3/4"
② EX CRPCC 9"	⑫ PR POLYMERIZED HOT-MIX ASPHALT CONC SURF CSE. MIX "E" N105 1 3/4"
③ EX HOT-MIX ASPHALT SURFACE COURSE (VARIES 3 1/4" TO 5")	⑬ PR POLYUREA PAVEMENT MARKING - LINE 5"
④ EX HOT-MIX ASPHALT SHOULDERS (THICKNESS VARIES)	
⑤ EX AGGREGATE SHOULDERS	
⑥ EX PIPE UNDERDRAINS 4"	

NOTE: NORTH OF STATION 500+00 SKIP-DASH AND REFLECTIVE MARKERS ARE IN THE DRIVING LANE

REVISIONS	
NAME	DATE

ILLINOIS DEPARTMENT OF TRANSPORTATION
 TYPICAL SECTIONS
 FAI 55
 SECTION D6 INTERMITTENT RS 2009
 MACOUPIN COUNTY
 SCALE: NOT DRAWN TO SCALE
 DATE
 DRAWN BY
 CHECKED BY

C:\Projects\672c03\typicals.dgn
 Apr-01-2008 07:35:37AM
 *REF:01