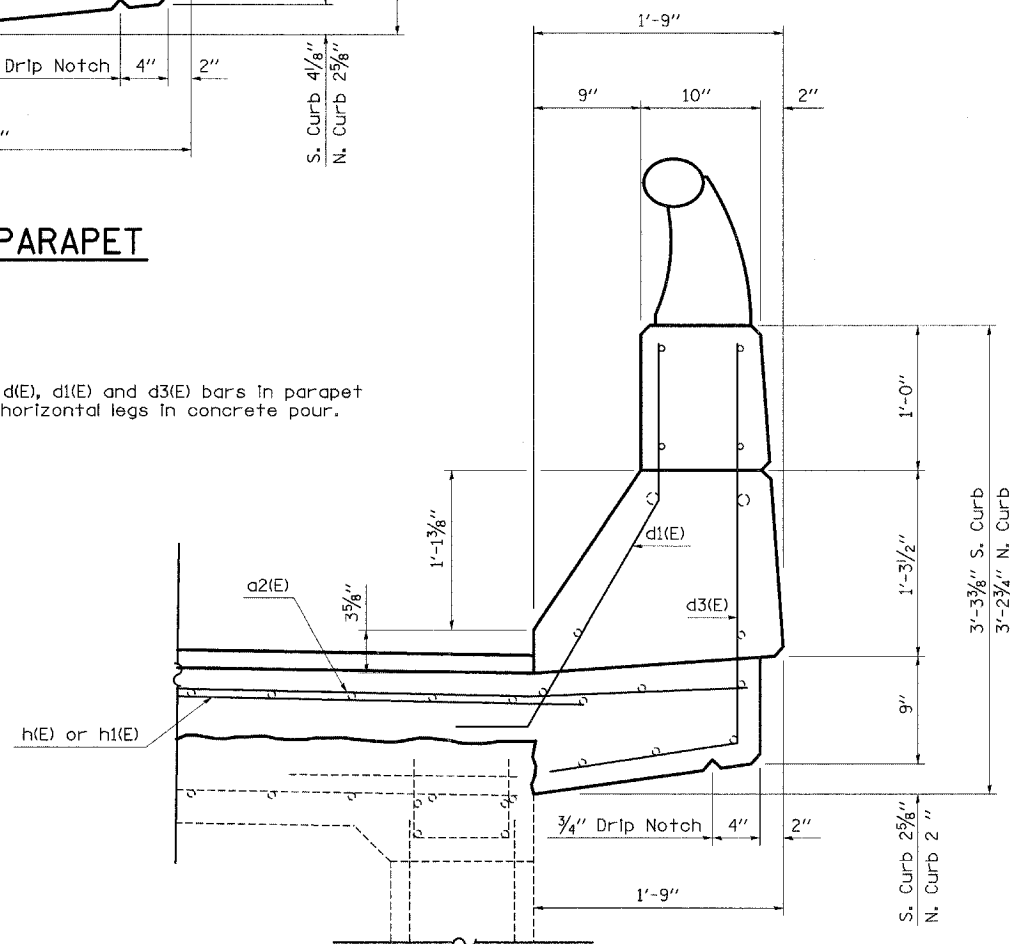
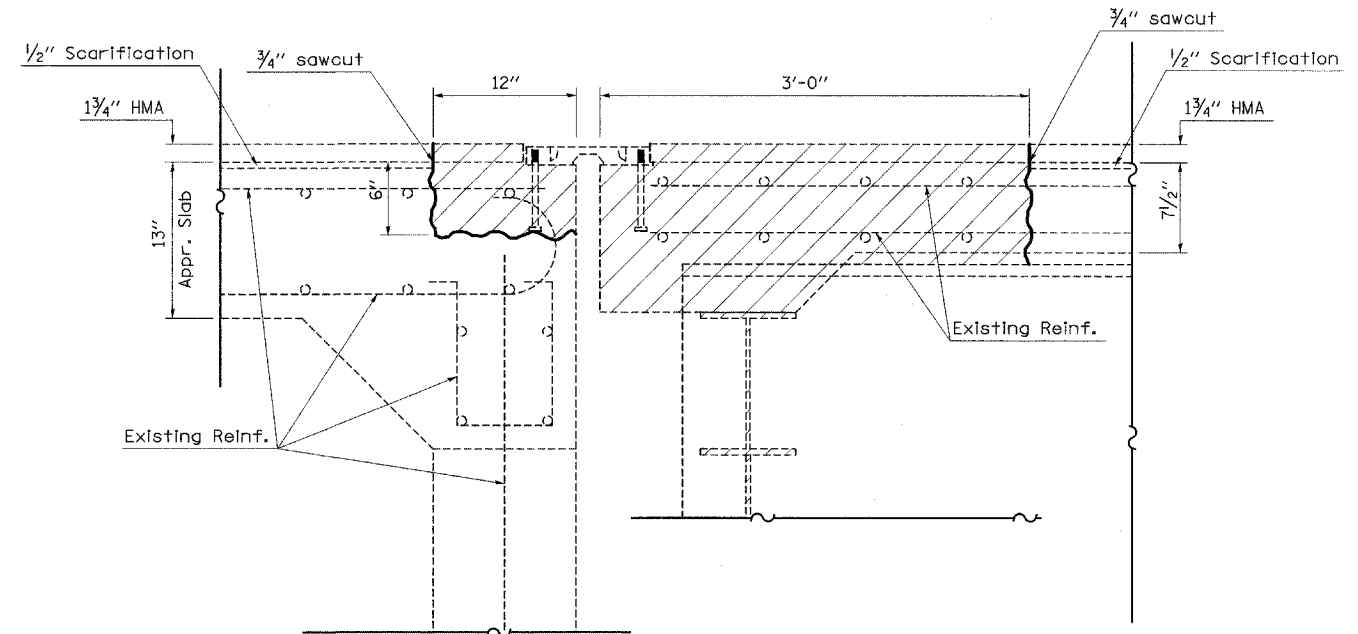


**SECTION THRU DECK PARAPET**

Note: Rotate d(E), d1(E) and d3(E) bars in parapet to fit horizontal legs in concrete pour.

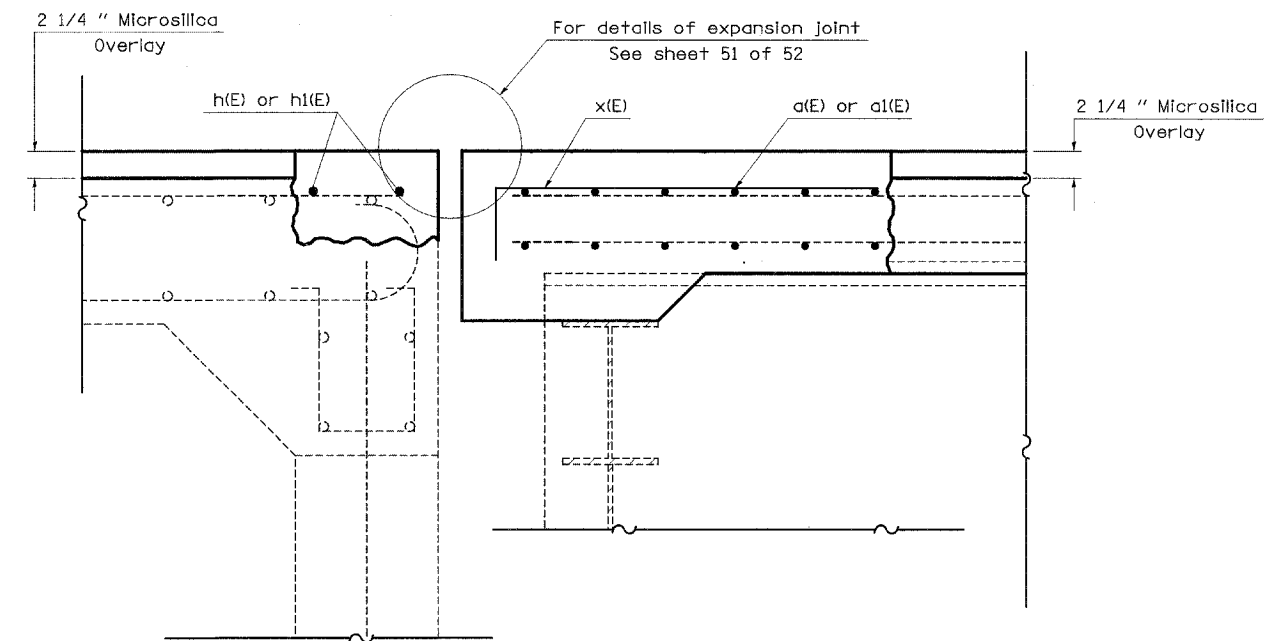


**SECTION THRU APPROACH PARAPET**



**SECTION A-A**  
(Dimensions at RT L's to end of deck)

○ Existing Reinforcement  
● Proposed Reinforcement



**SECTION B-B**  
(Dimensions at RT L's to end of deck)

FILE NAME =  
c:\projects\74171d\korenbridge.dgn

USER NAME = swartzw  
PLOT SCALE = 20.0000' / IN.  
PLOT DATE = 3/20/2008

DESIGNED -  
DRAWN -  
CHECKED -  
DATE -

REVISED -  
REVISED -  
REVISED -  
REVISED -

**STATE OF ILLINOIS  
DEPARTMENT OF TRANSPORTATION**

**EXPANSION JOINT REPLACEMENT DETAILS  
SN 058-0093 (EB) & SN 058-0094 (WB)**

SCALE: N/A SHEET NO. 5 OF 52 SHEETS STA. TO STA.

F.A.I. RTE.	SECTION	COUNTY	TOTAL SHEETS
72	(58,74X66,67)RS-1	MACON	88
FED. ROAD DIST. NO.			ILLINOIS FED. AID PROJECT

SHEET NO. 52 SHEETS TOTAL SHEETS 88 CONTRACT NO. 74