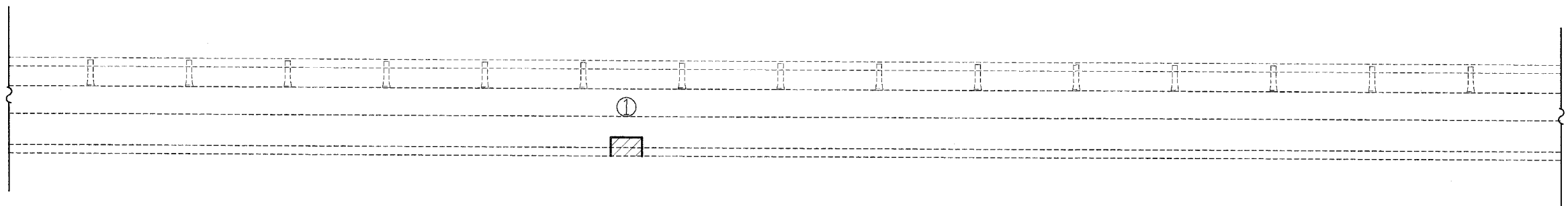
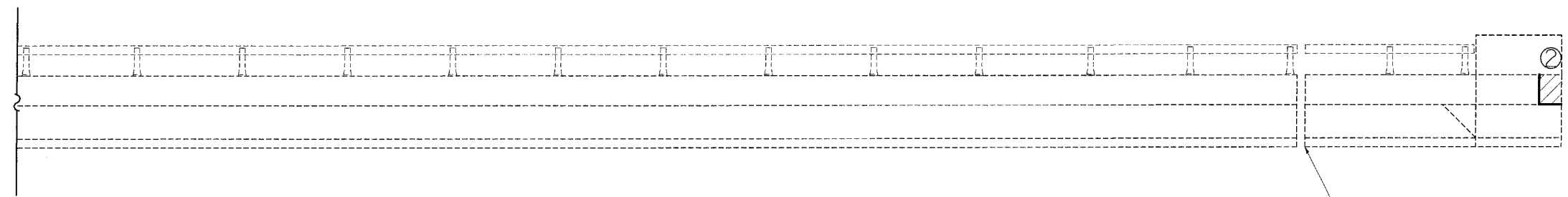


East Abutment



①



West Abutment

STRUCTURAL REPAIR

Cost Included In Structural Repair
of Concrete (Depth <5")

PATCH NUMBER	STATION	AREA SQ FT
1	721+62	2.0
2	719+65	2.0
Total		4.0

SOUTH PARAPET

Looking South

FILE NAME =
c:\projects\7417id\karanbridge.dgn

USER NAME = swartzrw
PLOT SCALE = 20.0000' / IN.
PLOT DATE = 3/20/2008

DESIGNED -
DRAWN -
CHECKED -
DATE -

REVISED -
REVISED -
REVISED -
REVISED -

**STATE OF ILLINOIS
DEPARTMENT OF TRANSPORTATION**

**STRUCTURAL REPAIR - PARAPET
SN. 058-0093 (EB)**

SCALE: N/A SHEET NO. 7 OF 52 SHEETS STA. TO STA.

F.A.I. RTE. 72	SECTION (58,74X66,67)RS-1	COUNTY MACON	TOTAL SHEETS 88
FED. ROAD DIST. NO.			ILLINOIS FED. AID PROJECT

CONTRACT NO. 74